



US 20190003195A1

(19) **United States**

(12) **Patent Application Publication**  
**Baker**

(10) **Pub. No.: US 2019/0003195 A1**

(43) **Pub. Date: Jan. 3, 2019**

(54) **RETROFITTED REAL ESTATE AND RELATED TECHNOLOGY**

**Publication Classification**

(71) Applicant: **Theodore W. Baker**, Portland, OR (US)

(51) **Int. Cl.**  
**E04H 1/12** (2006.01)  
**E04B 1/348** (2006.01)  
**A47K 4/00** (2006.01)  
**E04B 1/343** (2006.01)

(72) Inventor: **Theodore W. Baker**, Portland, OR (US)

(52) **U.S. Cl.**  
CPC ..... **E04H 1/1266** (2013.01); **E04B 1/34869** (2013.01); **E04H 1/1216** (2013.01); **E04B 1/34315** (2013.01); **A47K 4/00** (2013.01)

(21) Appl. No.: **16/018,620**

(22) Filed: **Jun. 26, 2018**

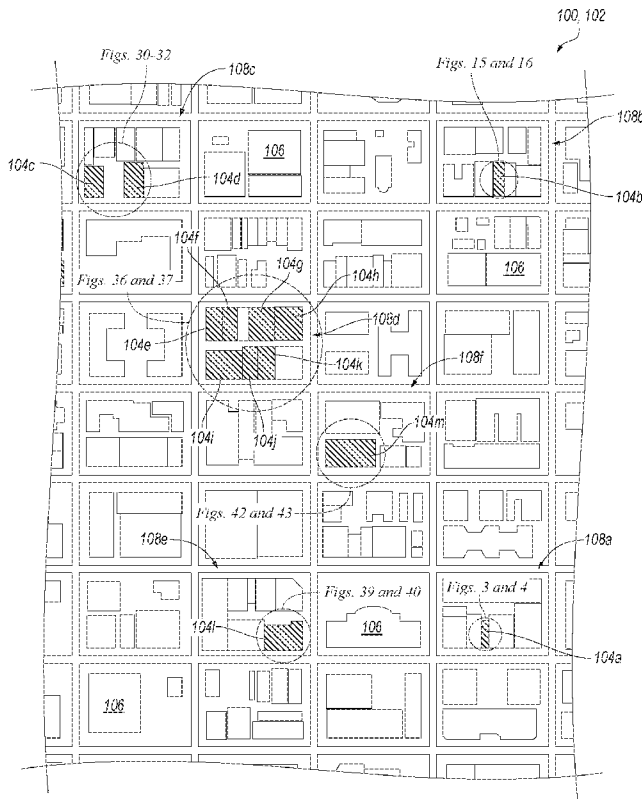
**Related U.S. Application Data**

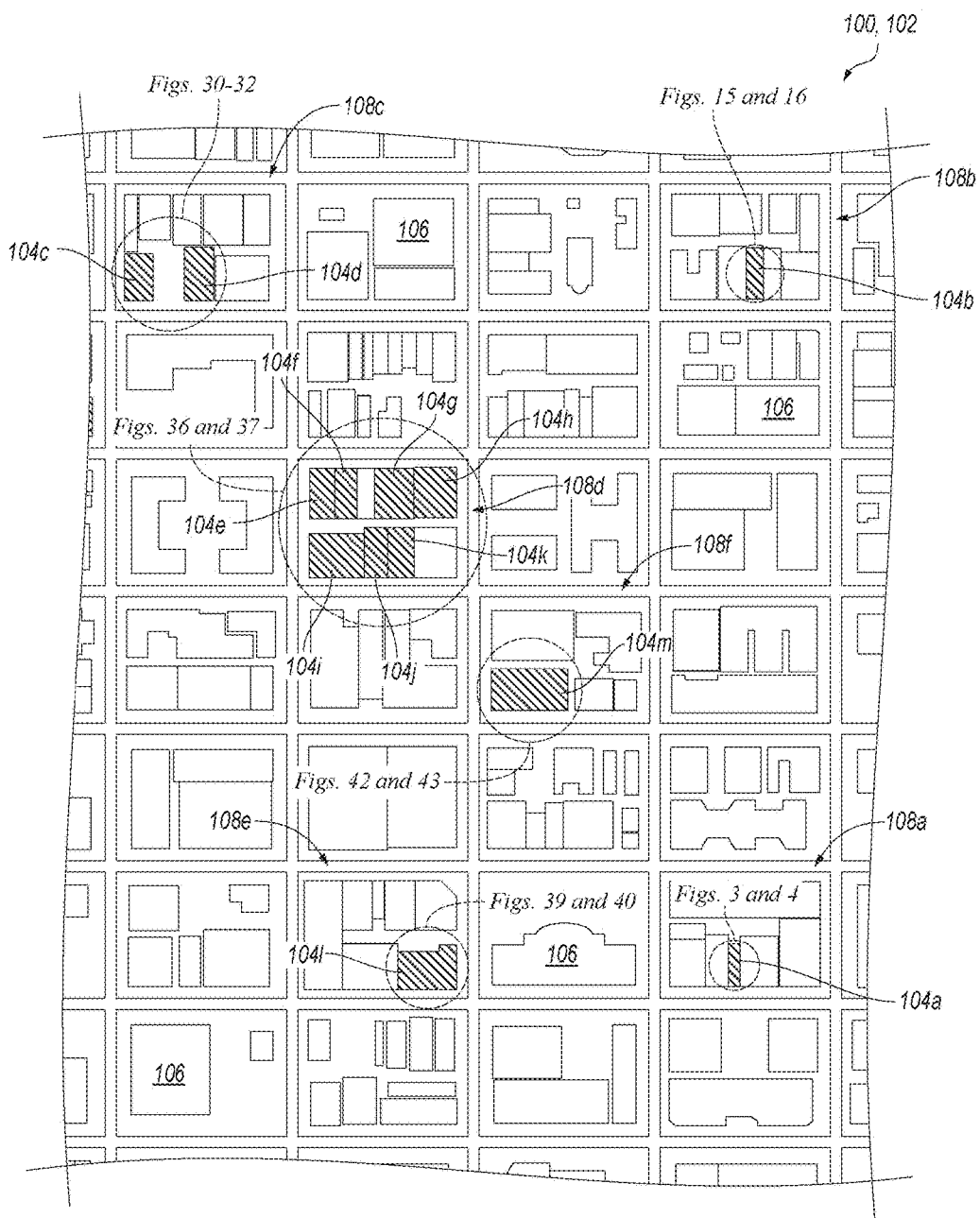
(57) **ABSTRACT**

(63) Continuation-in-part of application No. 15/140,785, filed on Apr. 28, 2016, Continuation-in-part of application No. 15/263,527, filed on Sep. 13, 2016, now Pat. No. 10,011,982, Continuation-in-part of application No. 15/390,731, filed on Dec. 27, 2016, Continuation-in-part of application No. 15/456,523, filed on Mar. 11, 2017, now Pat. No. 10,043,227, Continuation of application No. 15/675,745, filed on Aug. 13, 2017, now Pat. No. 10,036,172.

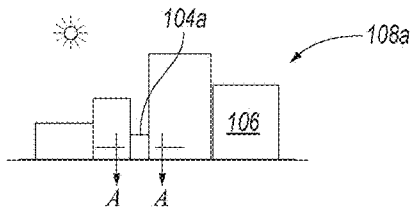
A real estate unit in accordance with a particular embodiment of the present technology includes an interior space at the ground floor of a commercial building. The interior space can have a purpose-built use (e.g., retail, warehouse, school, garage, etc.) and can be reversibly retrofitted to accommodate an alternative use (e.g., lodging, residential, office, assembly, etc.). The real estate unit can include reusable components (e.g., bathroom, wall, barrier, etc.) well suited for rapid deployment, removal, and redeployment. Use of these components can allow revenue from operating the real estate unit to exceed costs associated within transitioning the interior space from the purpose-built use to the alternative use even if the real estate unit is only operated for a short period of time. Furthermore, capital embodied in the components can be readily relocatable in response to long-term and short-term (e.g., seasonal) changes in demand.

(60) Provisional application No. 62/154,209, filed on Apr. 29, 2015, provisional application No. 62/222,750, filed on Sep. 23, 2015, provisional application No. 62/273,700, filed on Dec. 31, 2015, provisional application No. 62/310,045, filed on Mar. 18, 2016, provisional application No. 62/375,903, filed on Aug. 17, 2016.

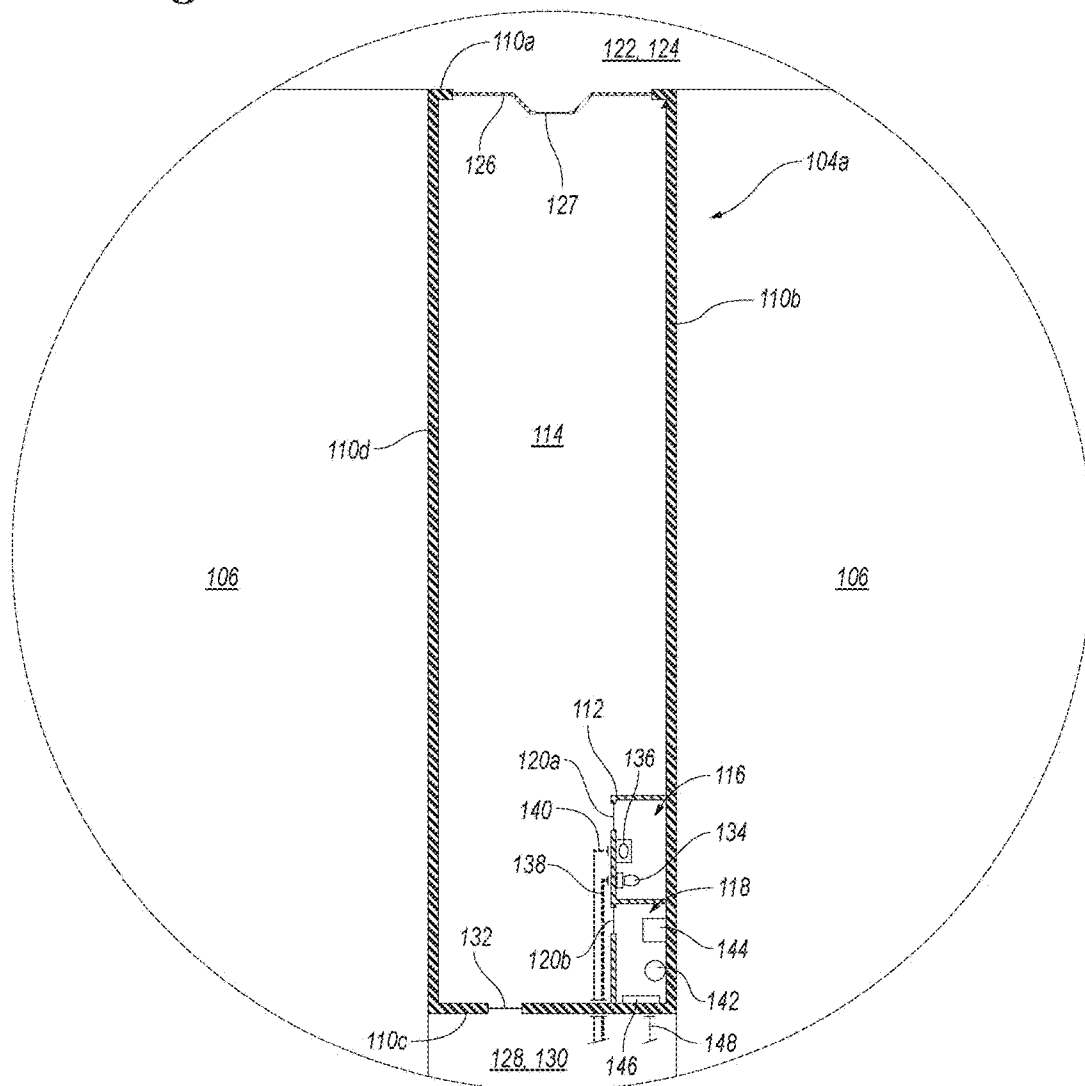




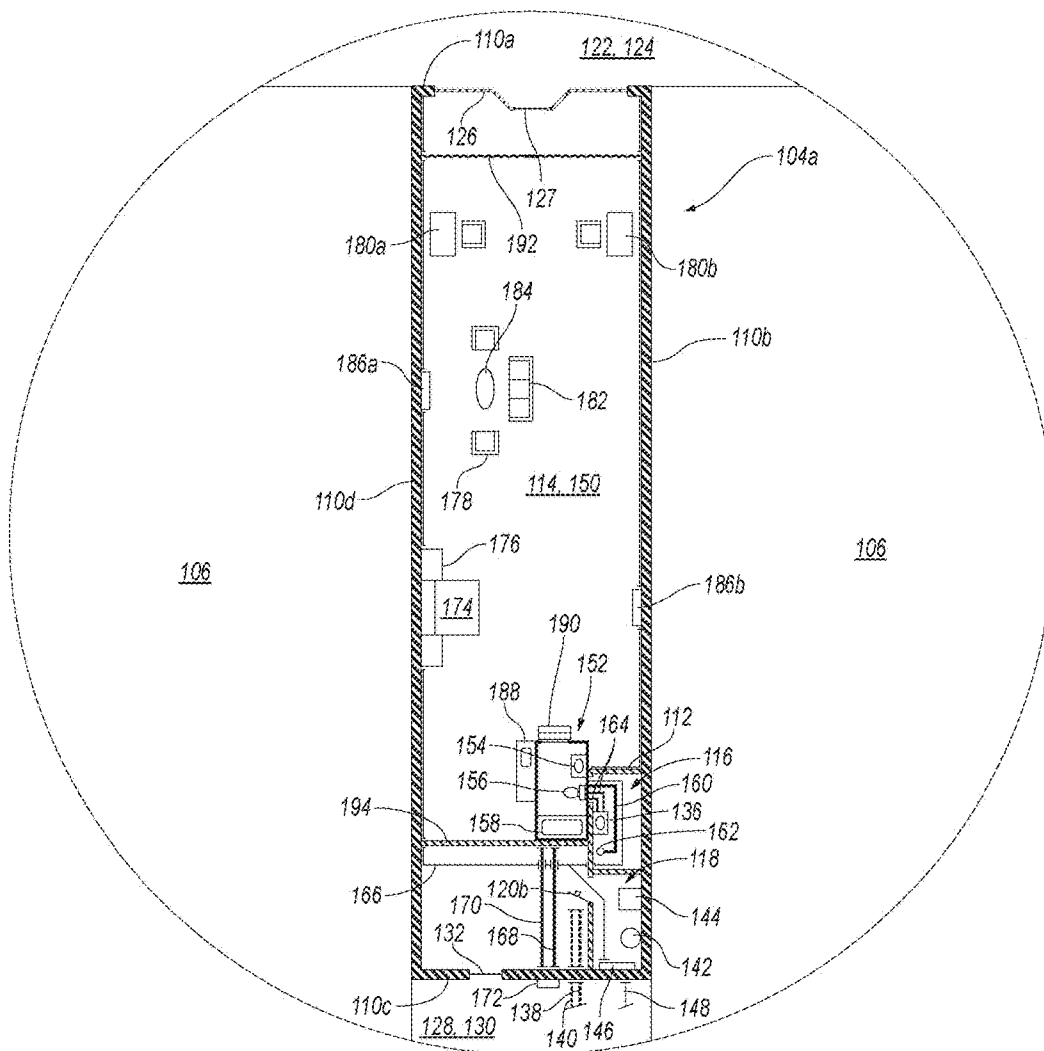
**Fig. 1**



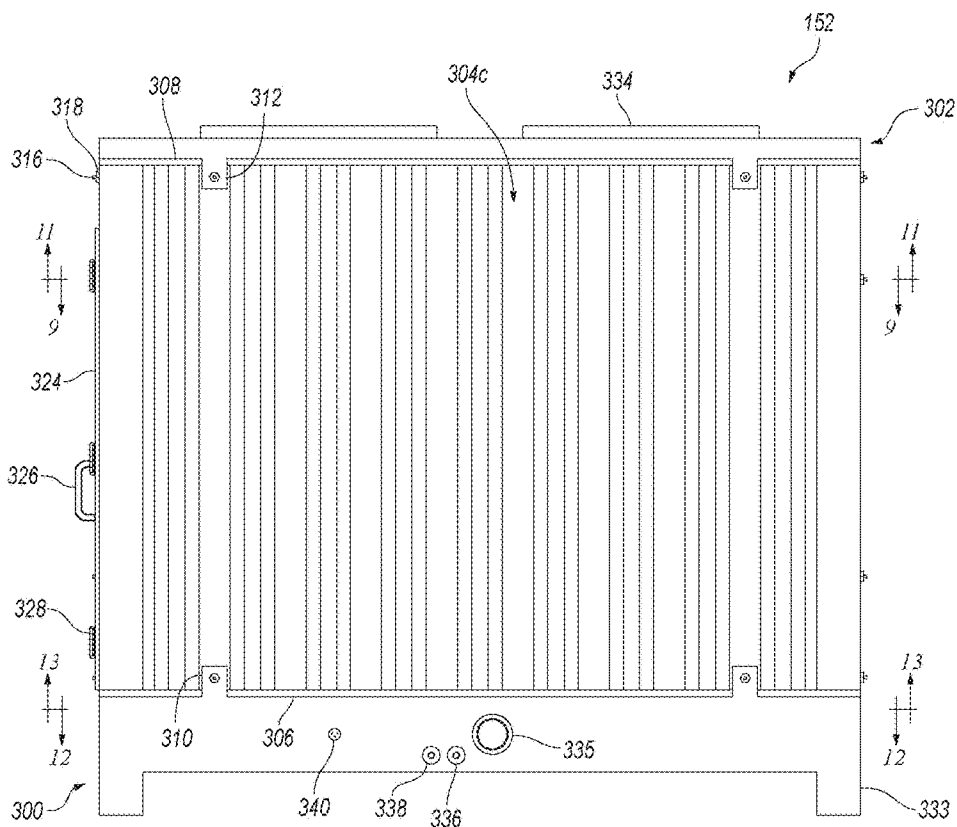
**Fig. 2**



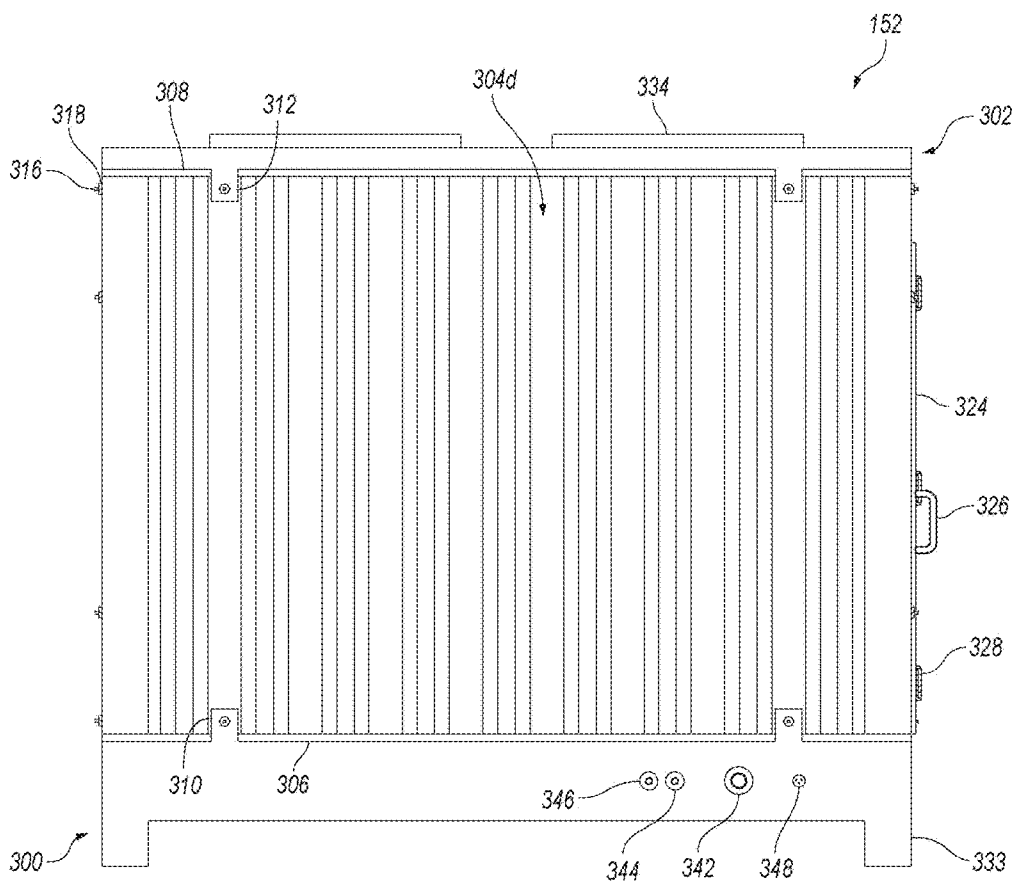
**Fig. 3 (prior art)**



**Fig. 4**



**Fig. 5**



**Fig. 6**

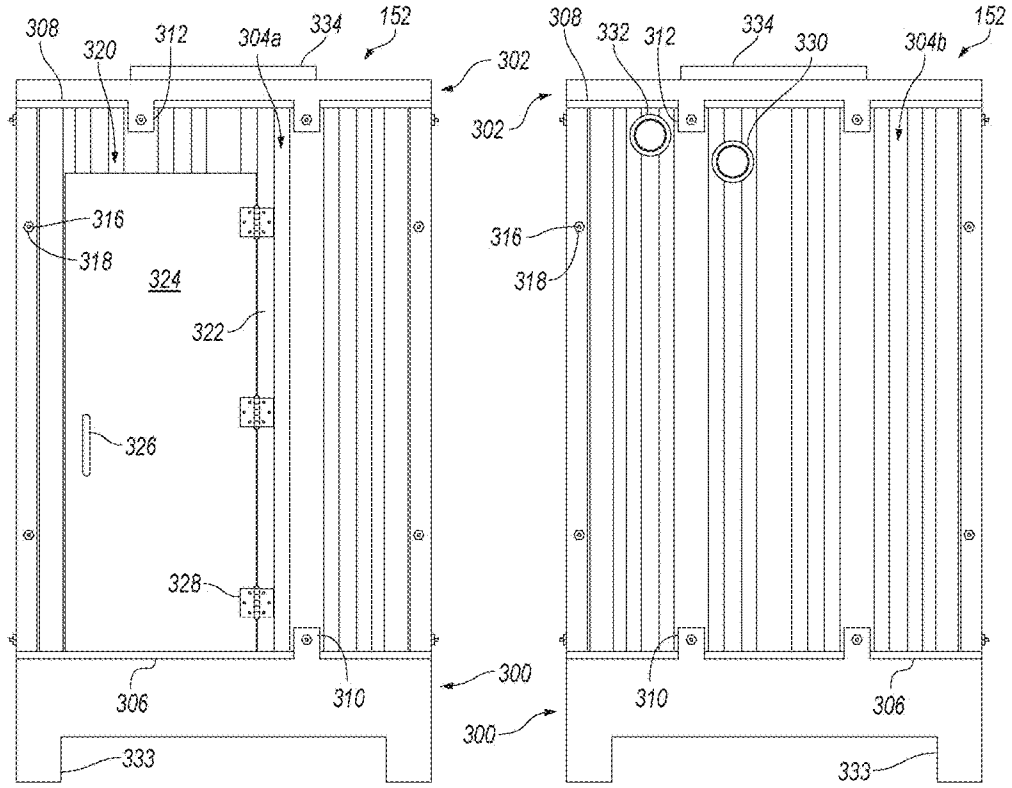


Fig. 7

Fig. 8

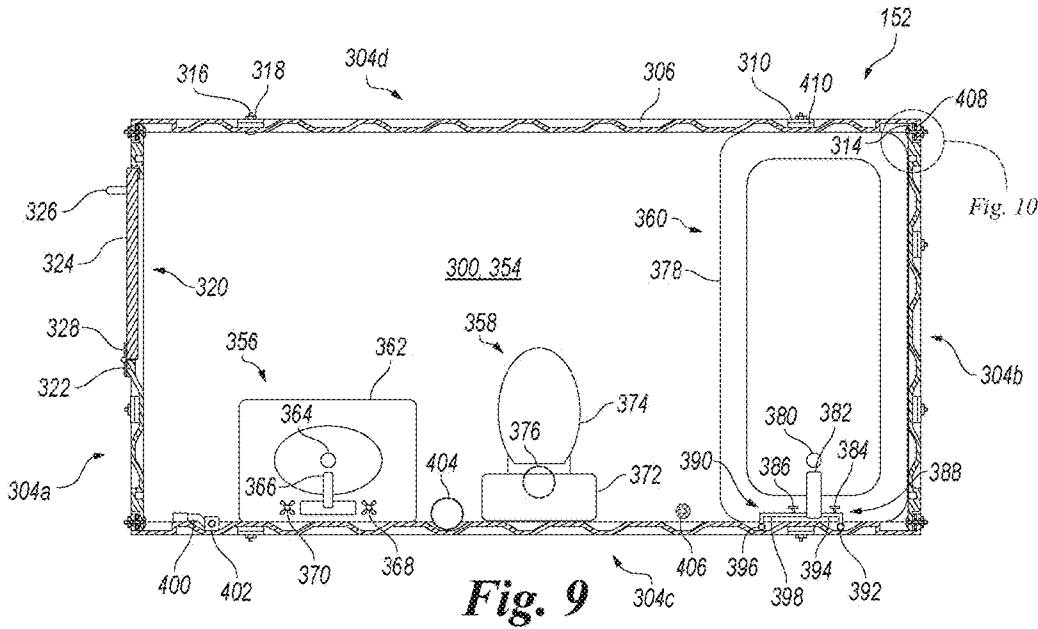
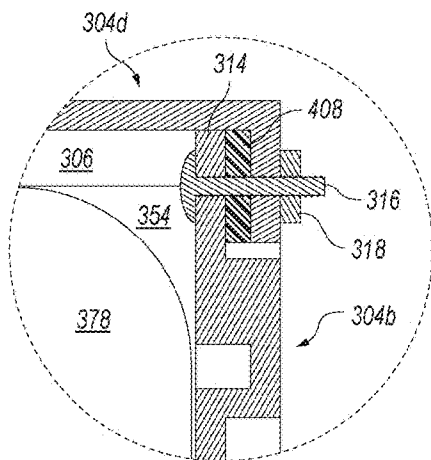
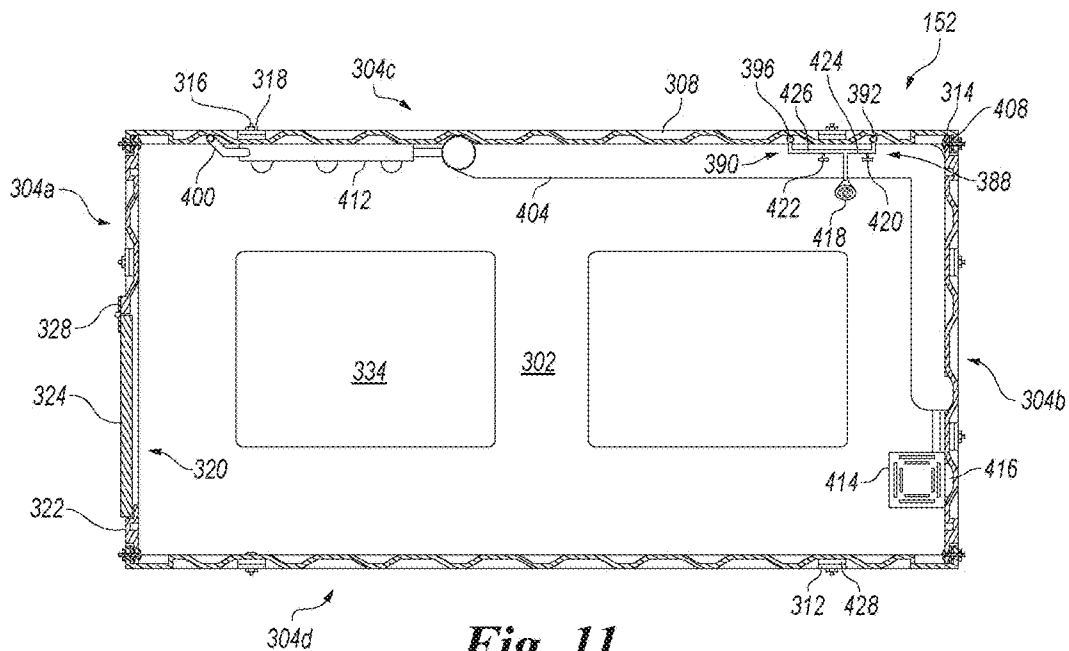


Fig. 9

Fig. 10

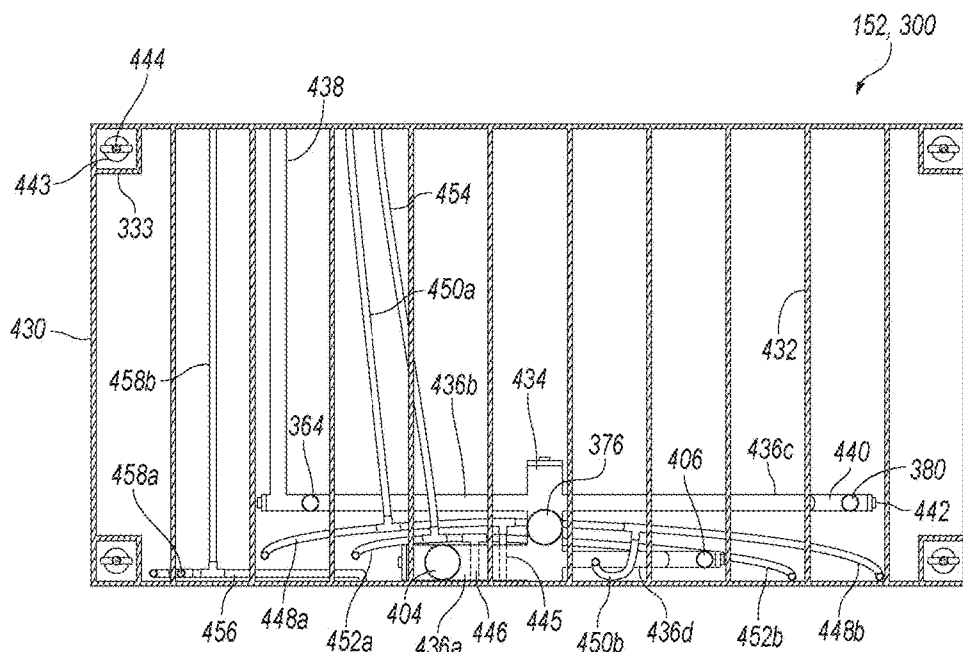


**Fig. 10**

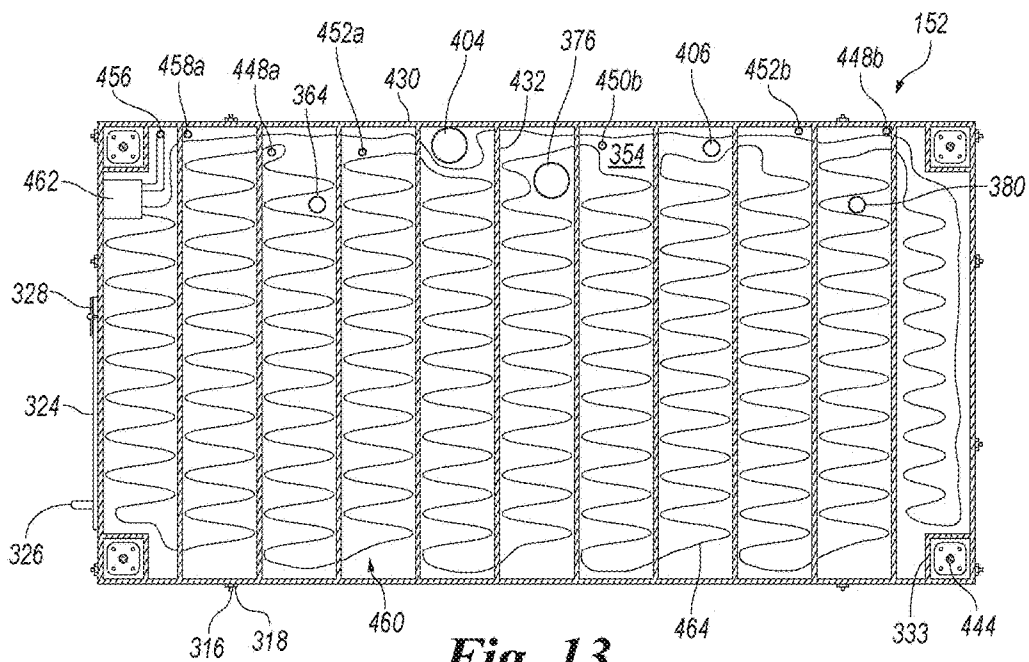


**Fig. 11**

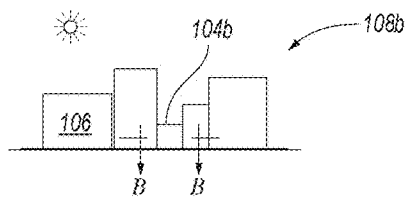




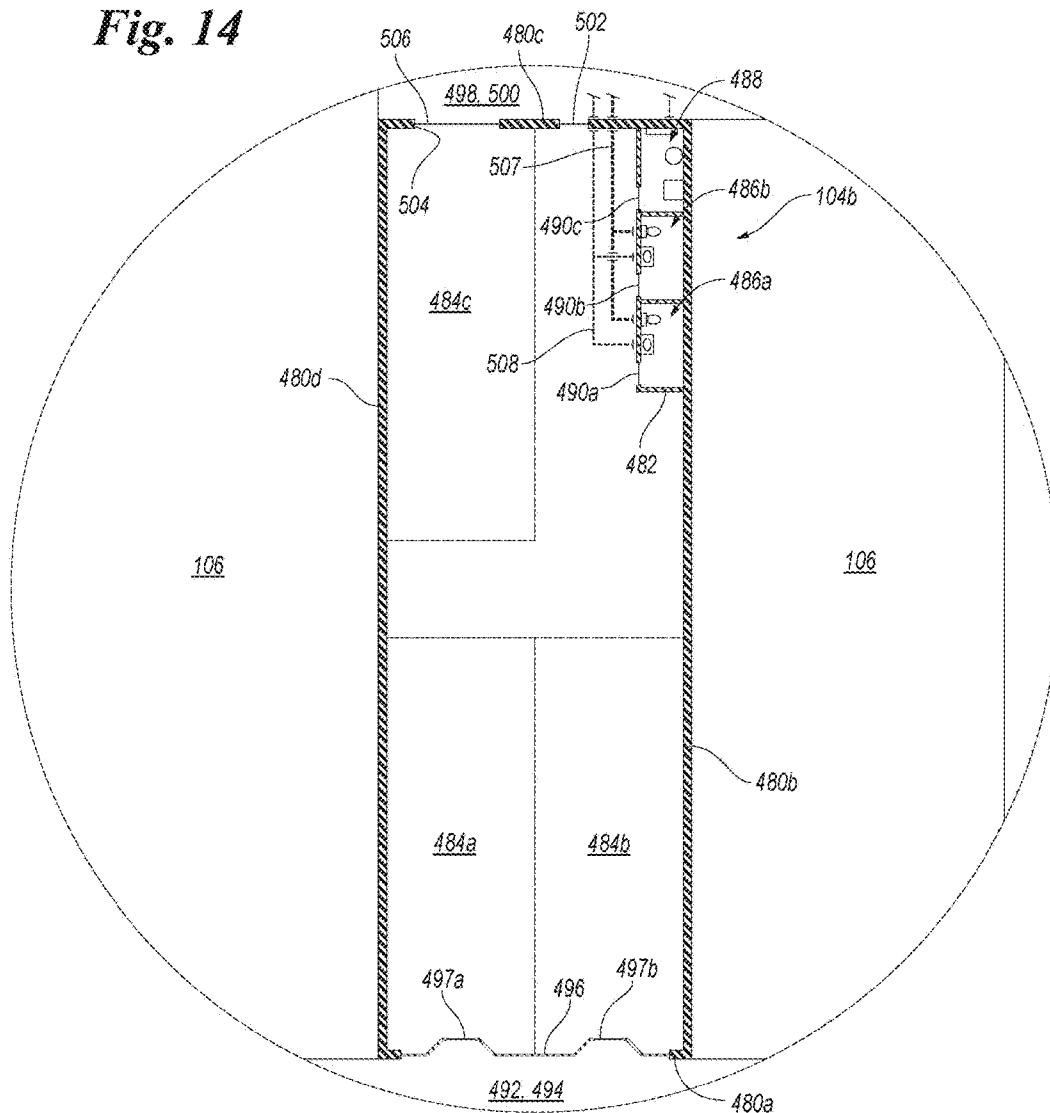
**Fig. 12**



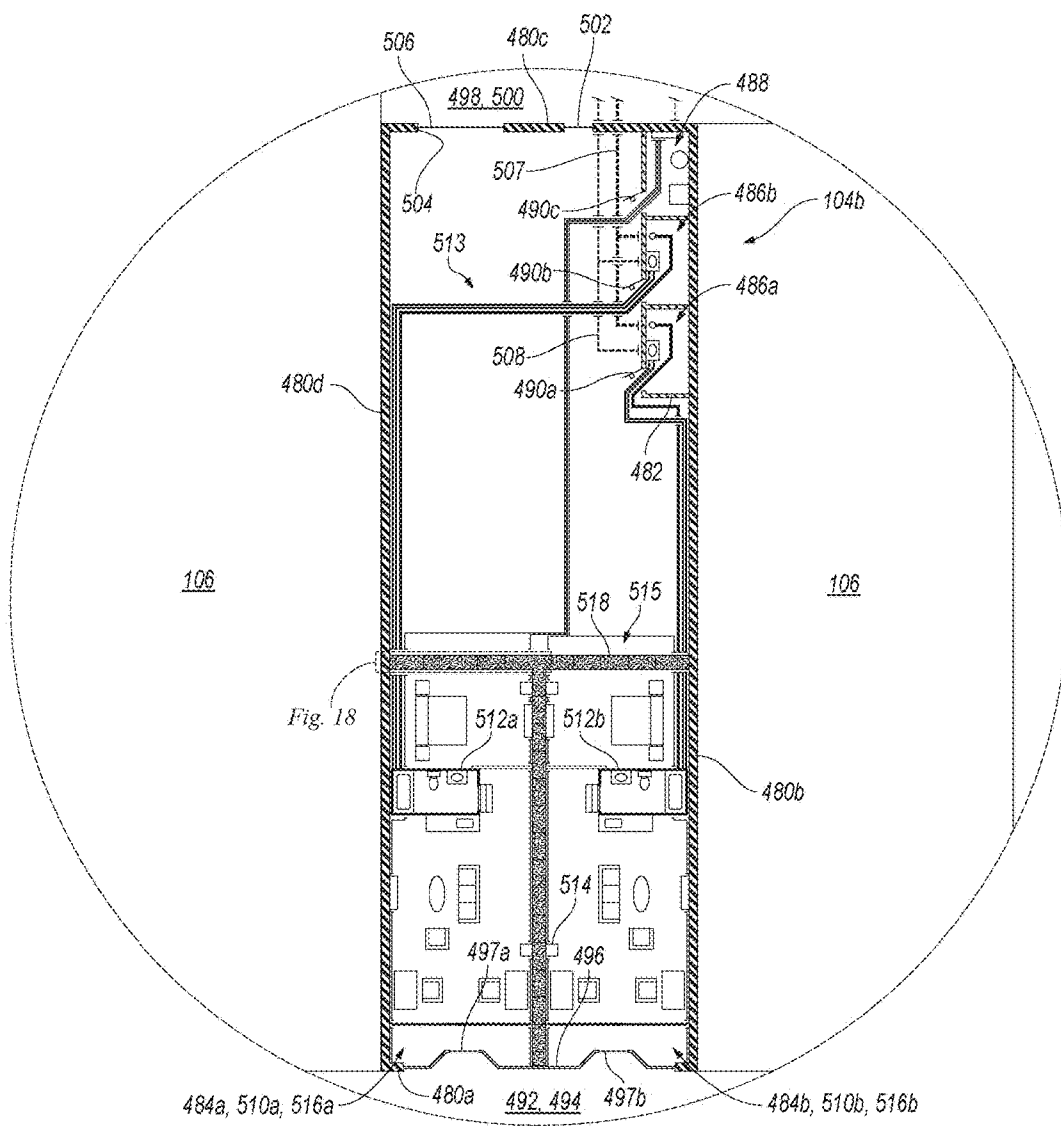
**Fig. 13**



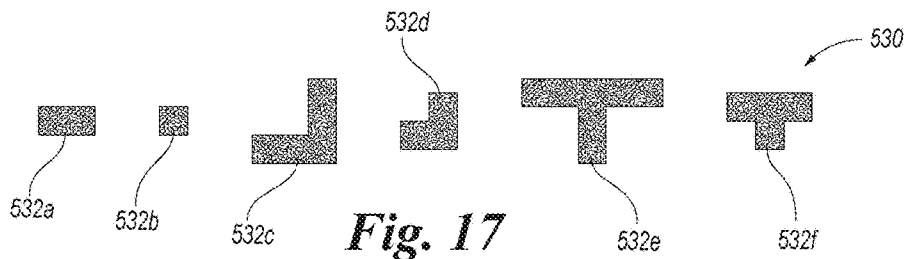
**Fig. 14**



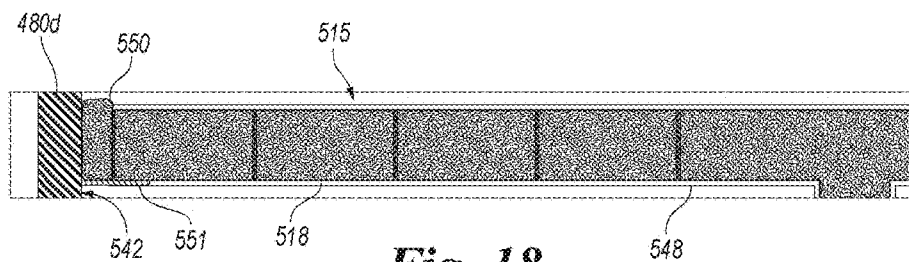
**Fig. 15 (prior art)**



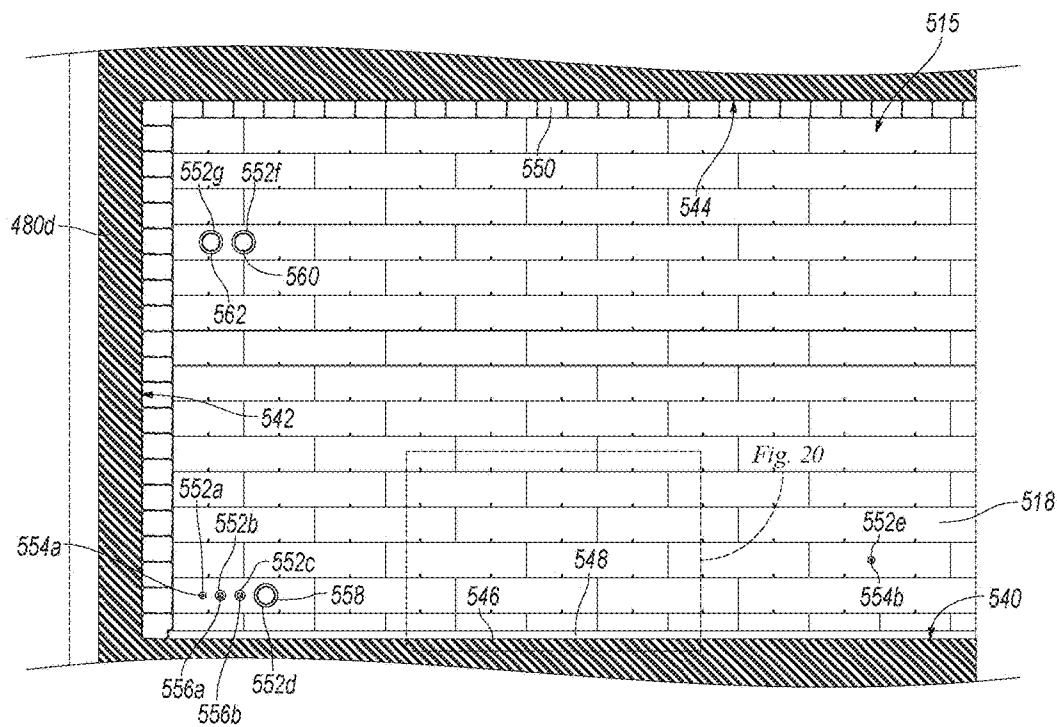
**Fig. 16**



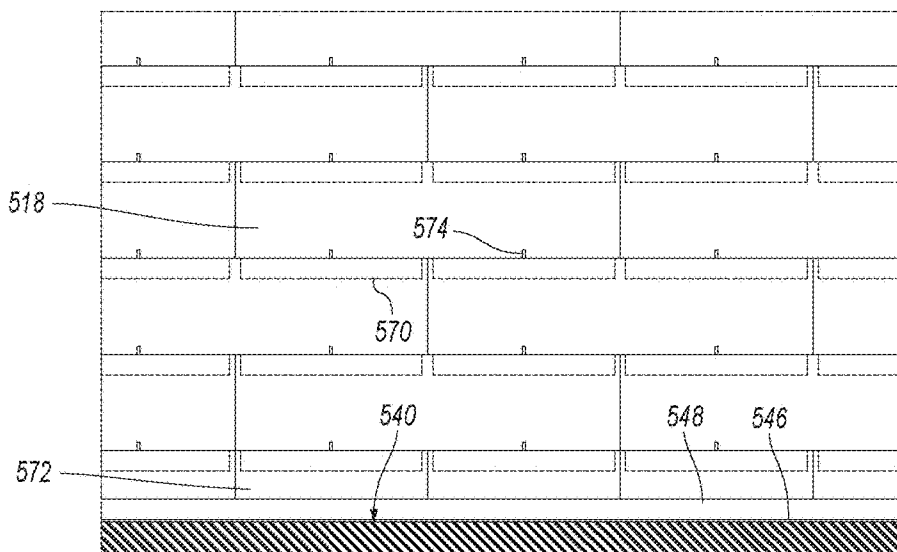
**Fig. 17**



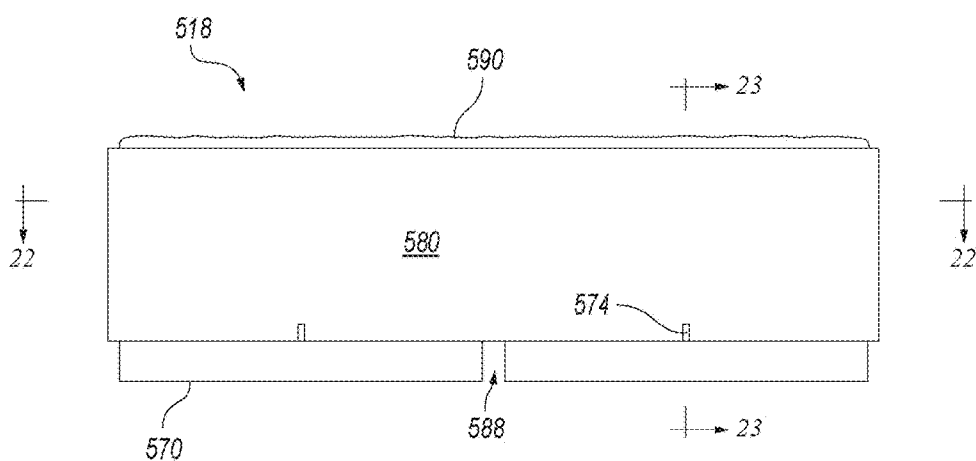
**Fig. 18**



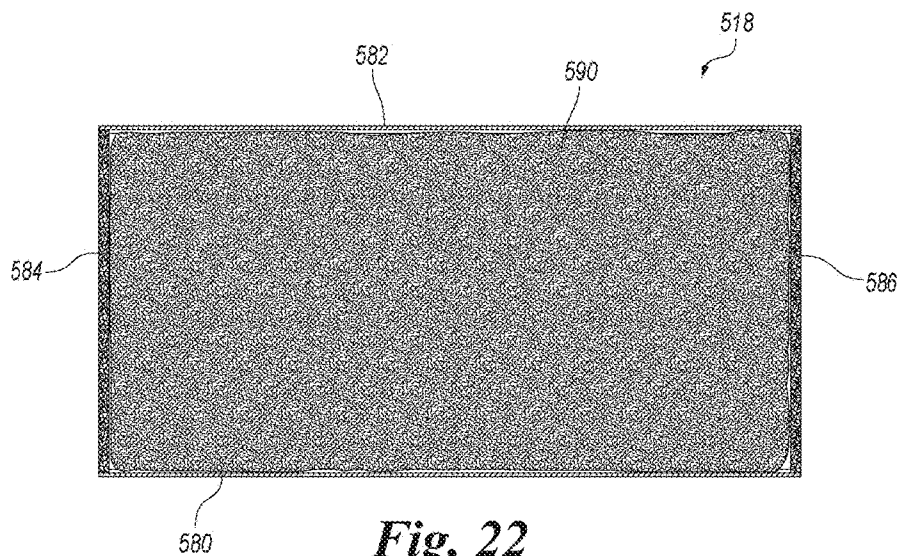
**Fig. 19**



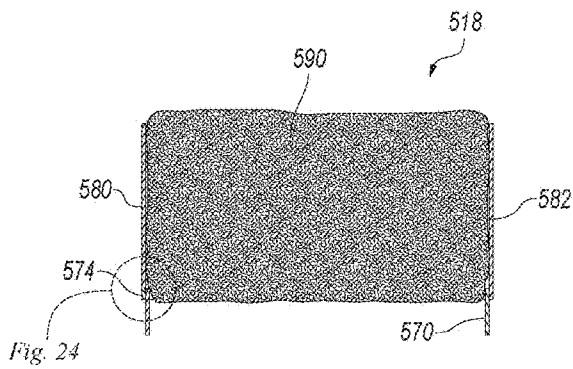
**Fig. 20**



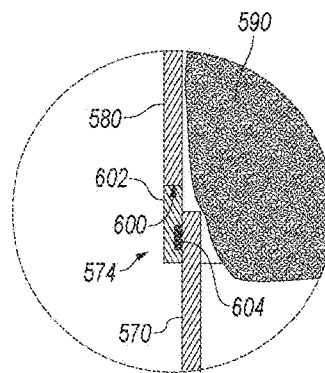
**Fig. 21**



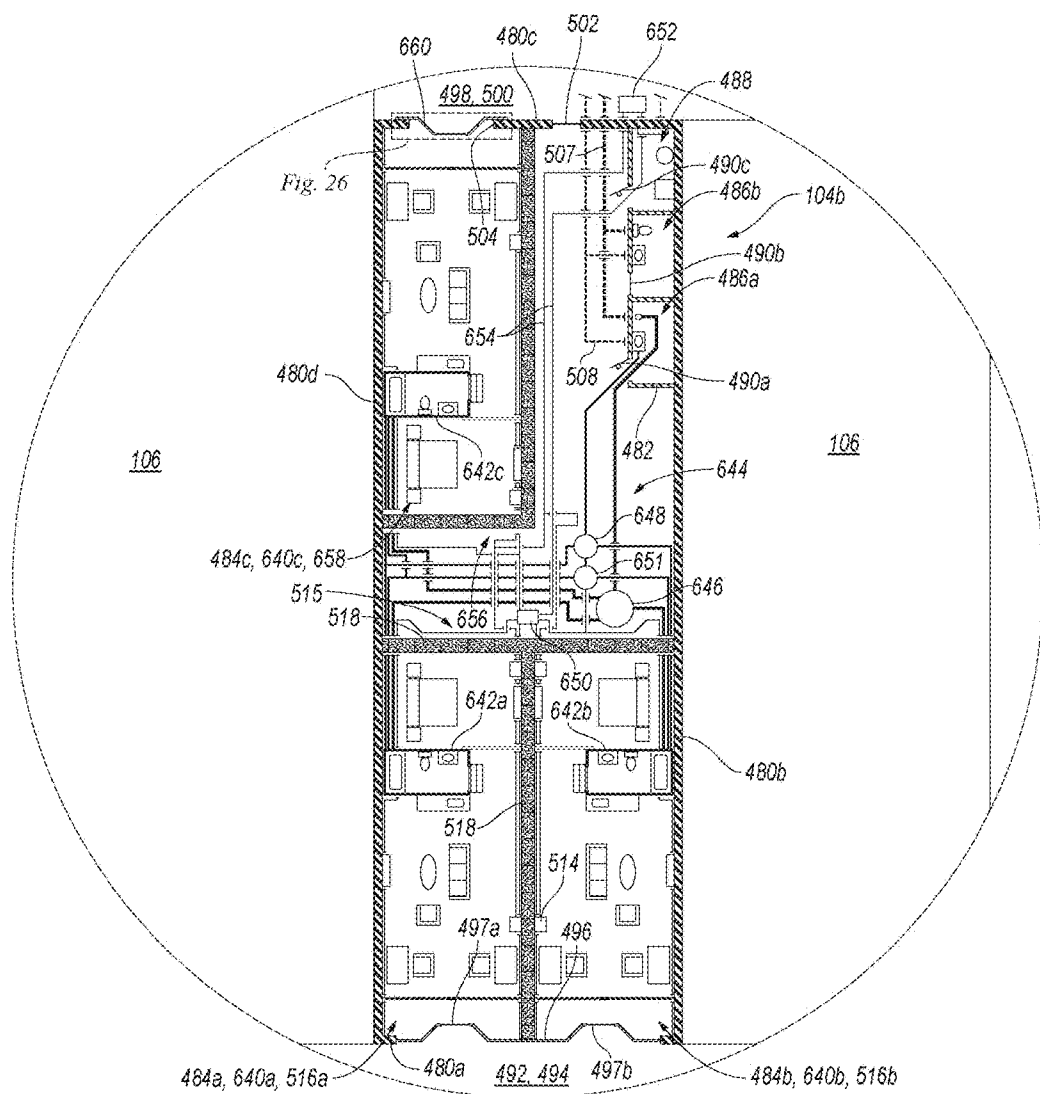
**Fig. 22**



**Fig. 23**



**Fig. 24**



**Fig. 25**

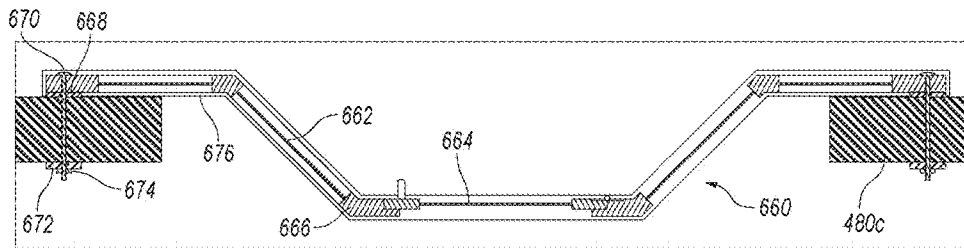


Fig. 26

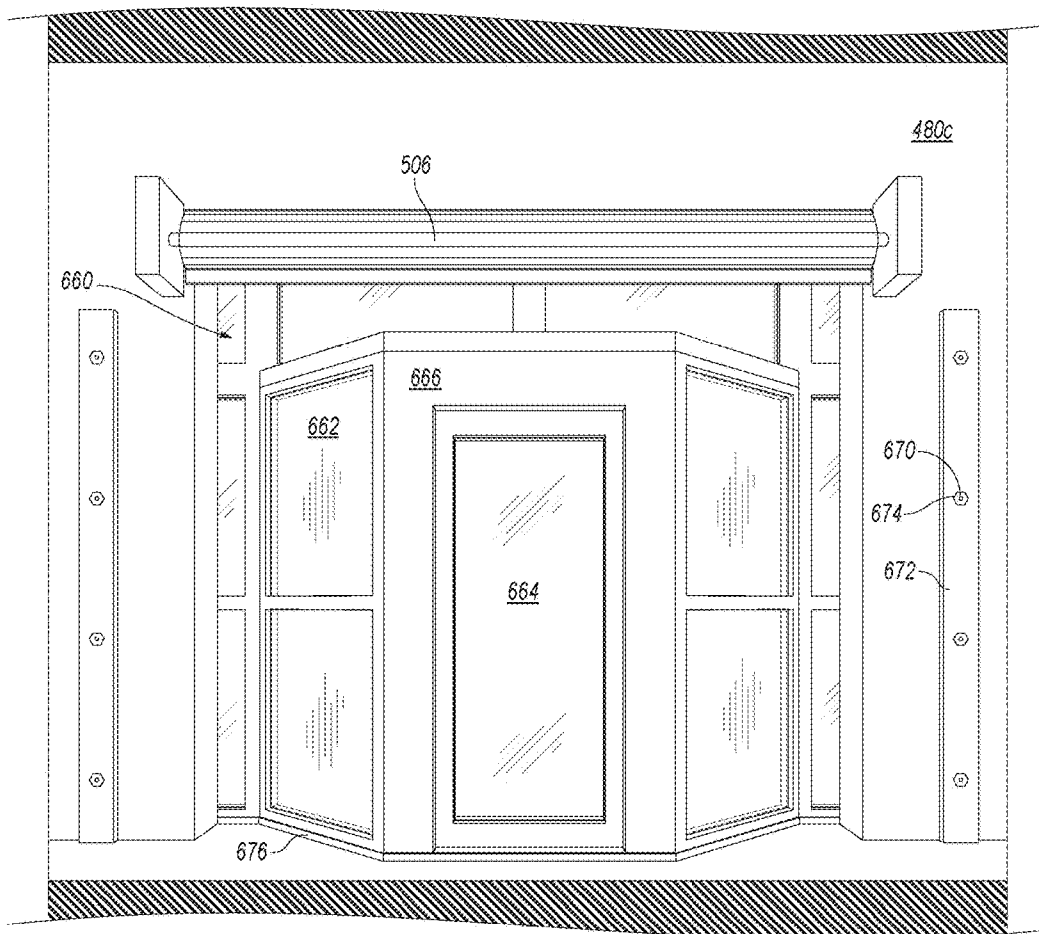
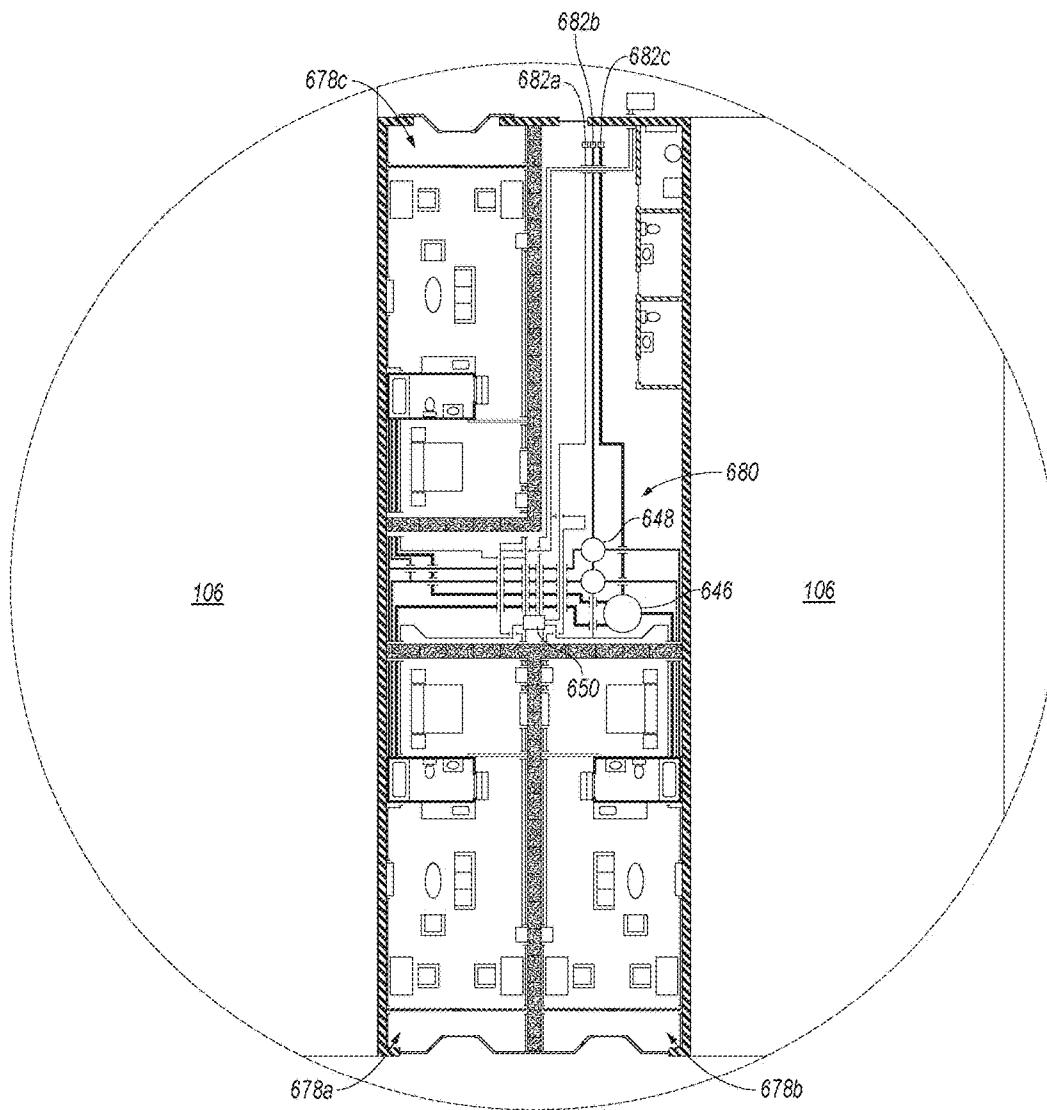
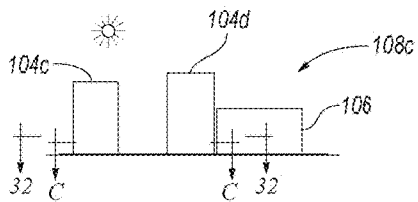


Fig. 27

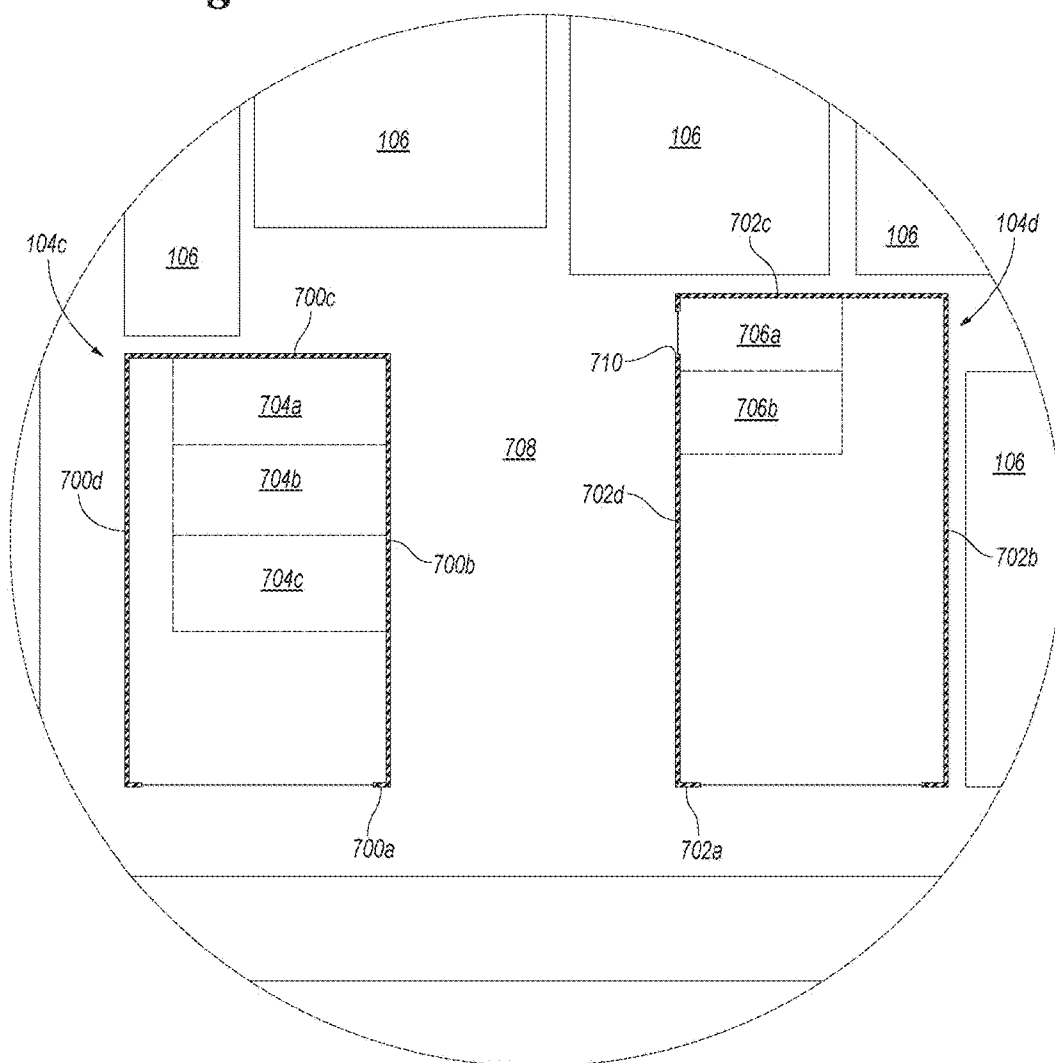




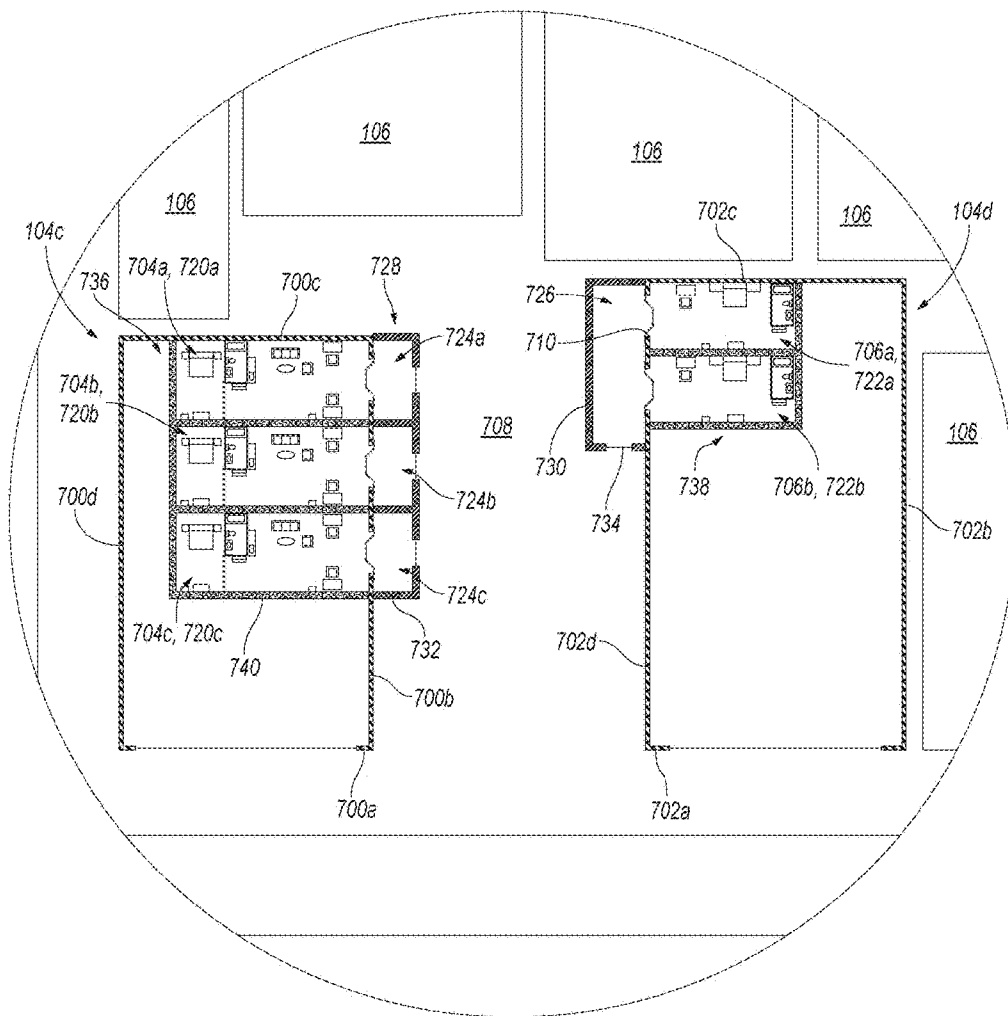
*Fig. 28*



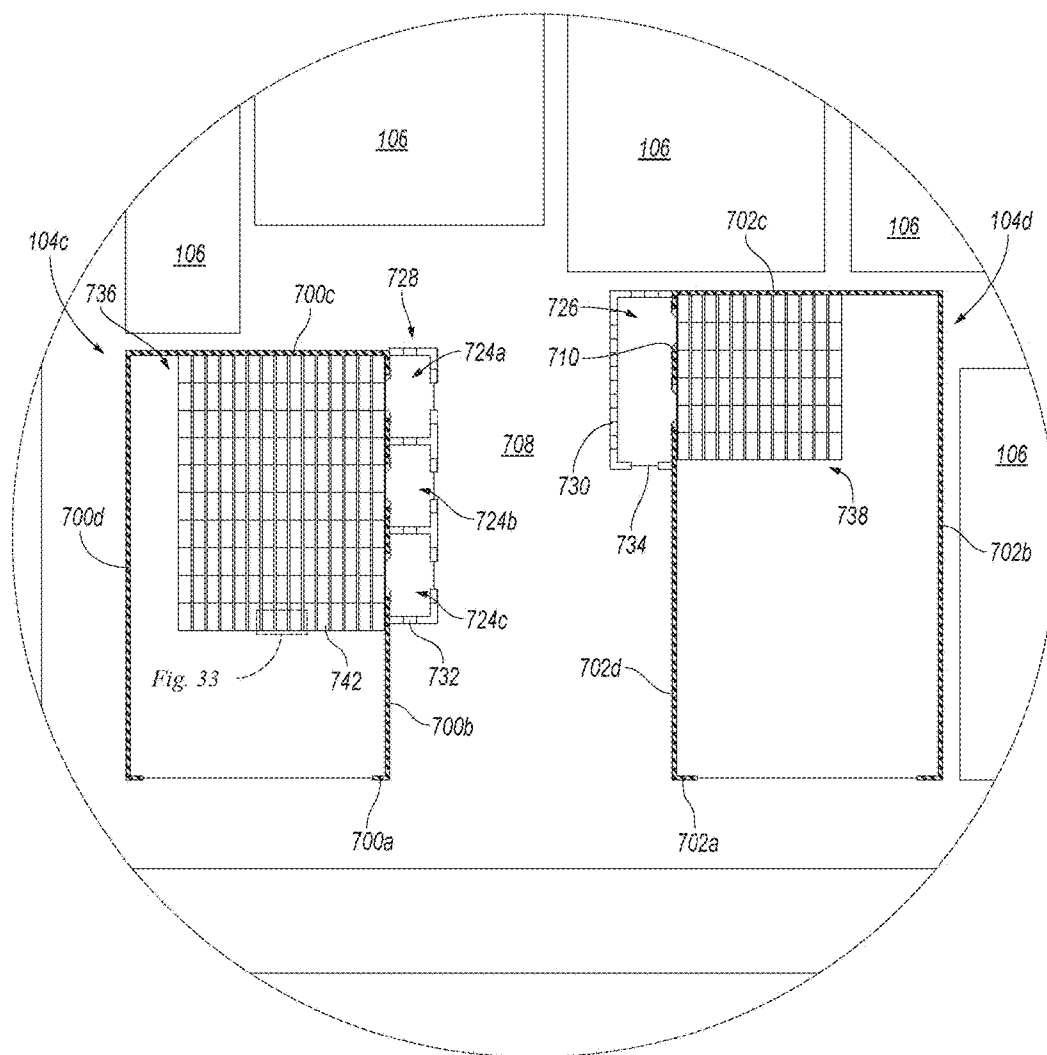
**Fig. 29**



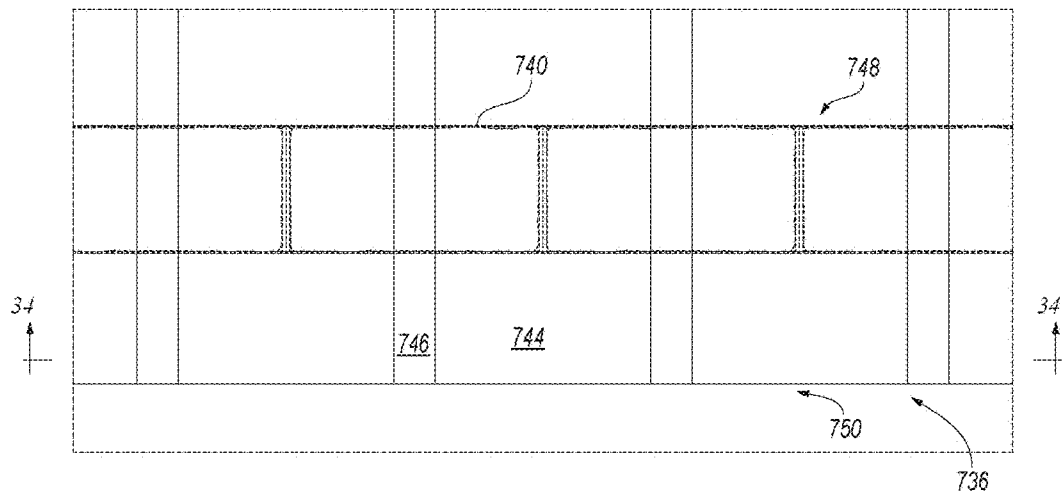
**Fig. 30 (prior art)**



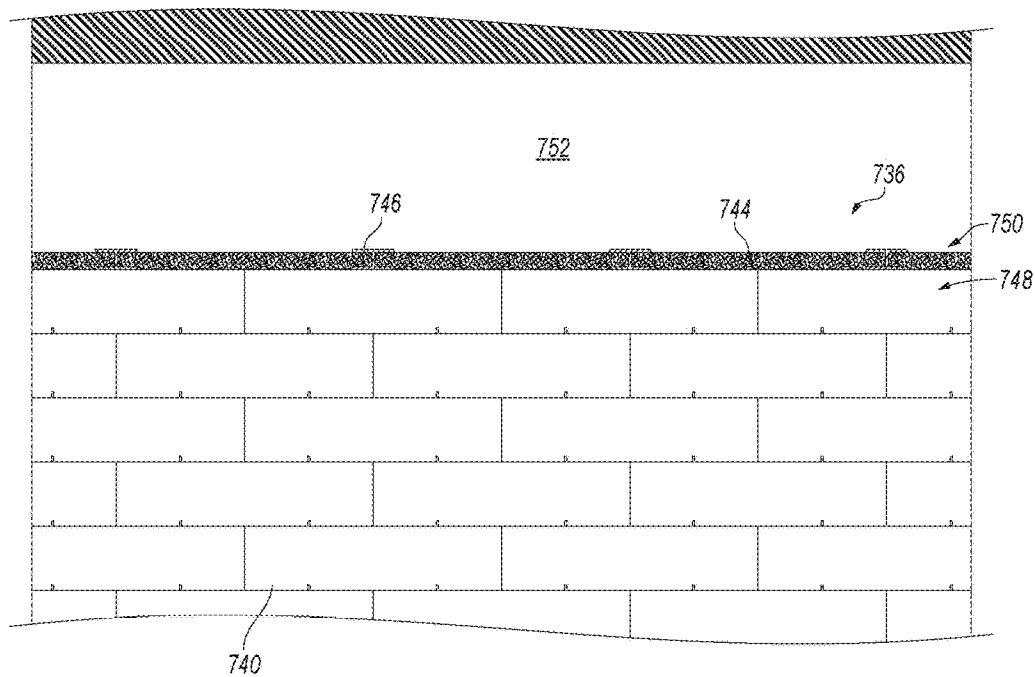
*Fig. 31*



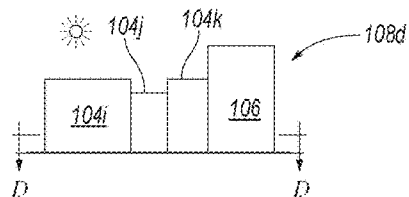
**Fig. 32**



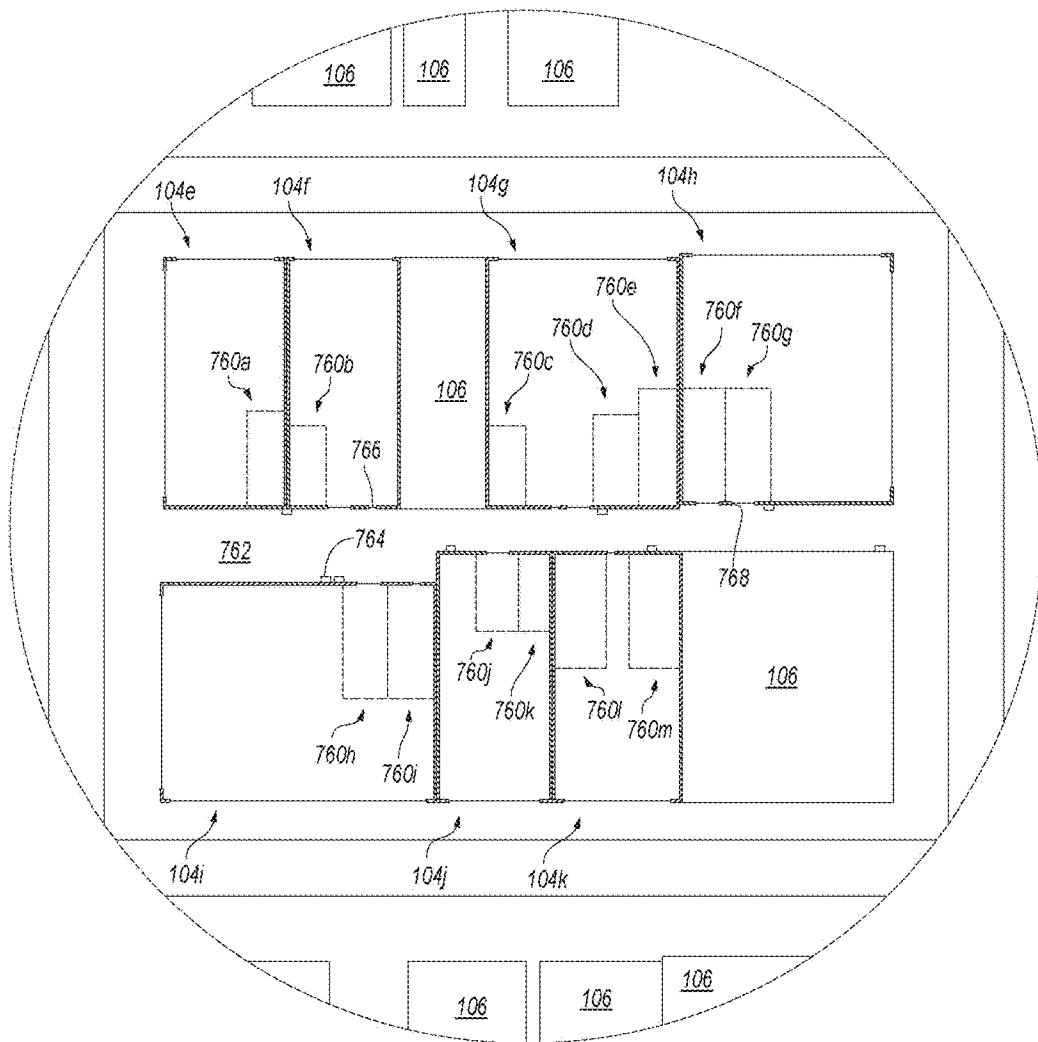
*Fig. 33*



*Fig. 34*



**Fig. 35**



**Fig. 36 (prior art)**

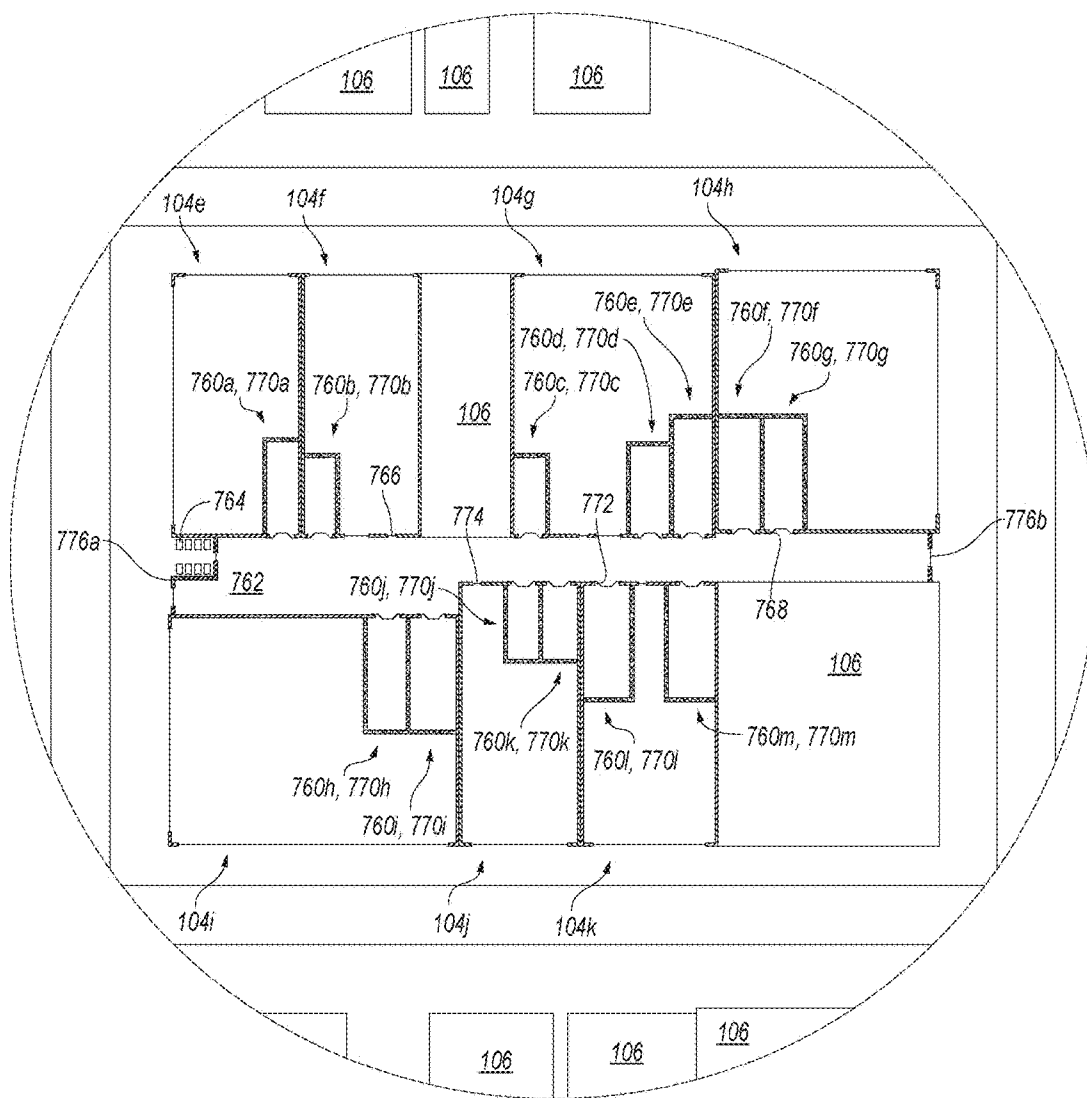
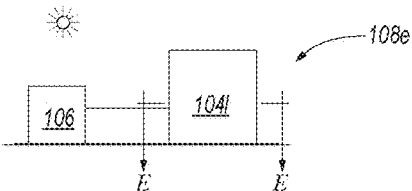
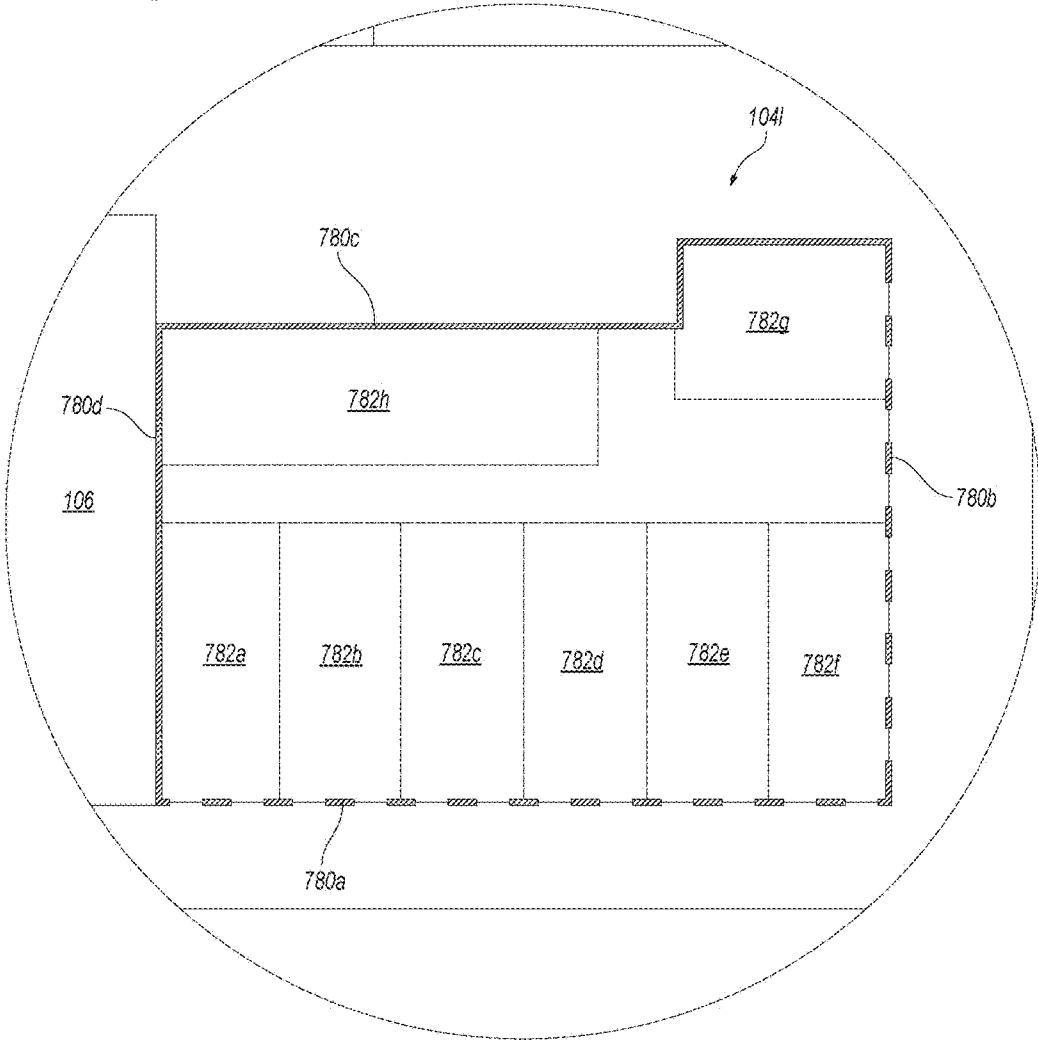


Fig. 37

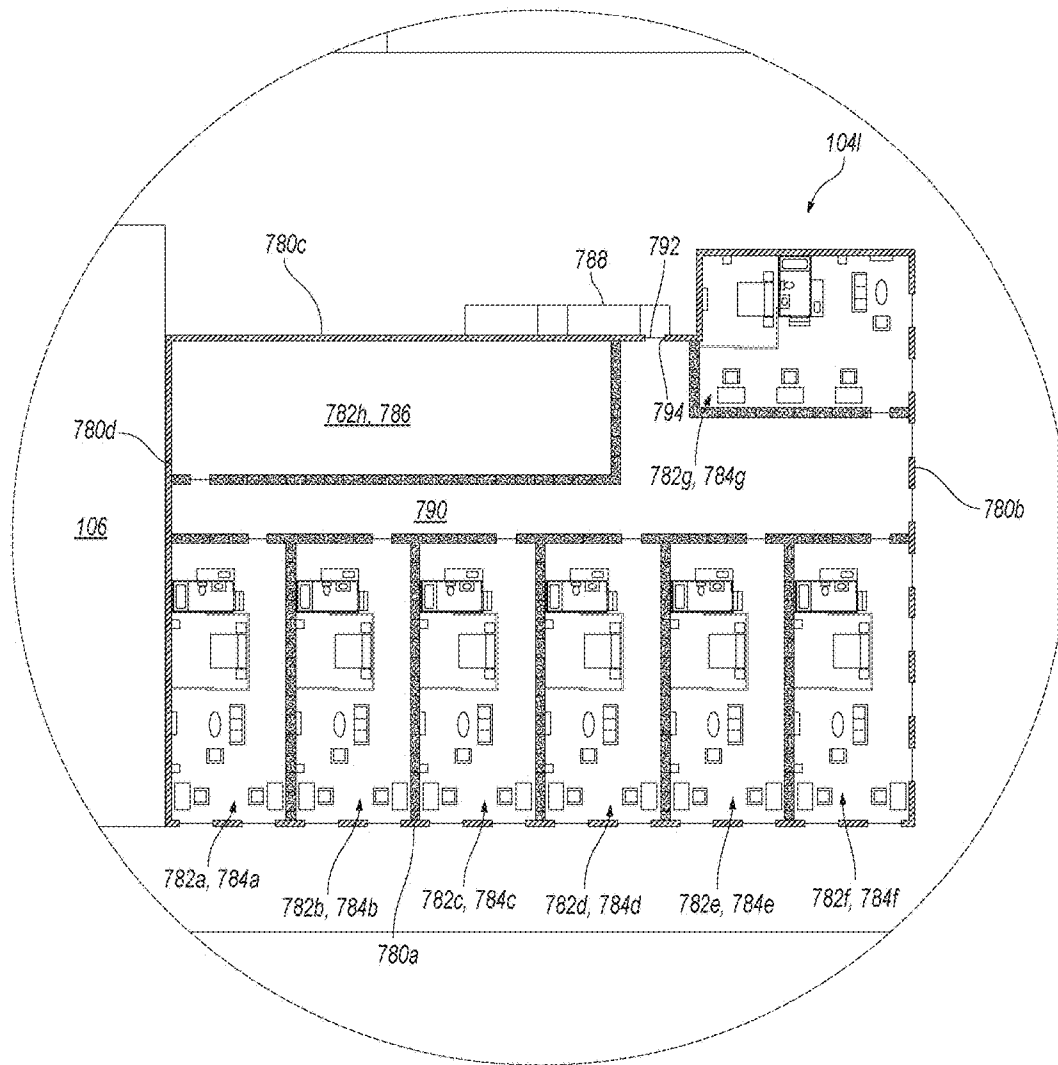


**Fig. 38**

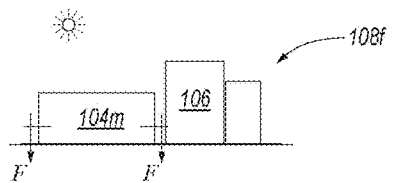


**Fig. 39 (prior art)**

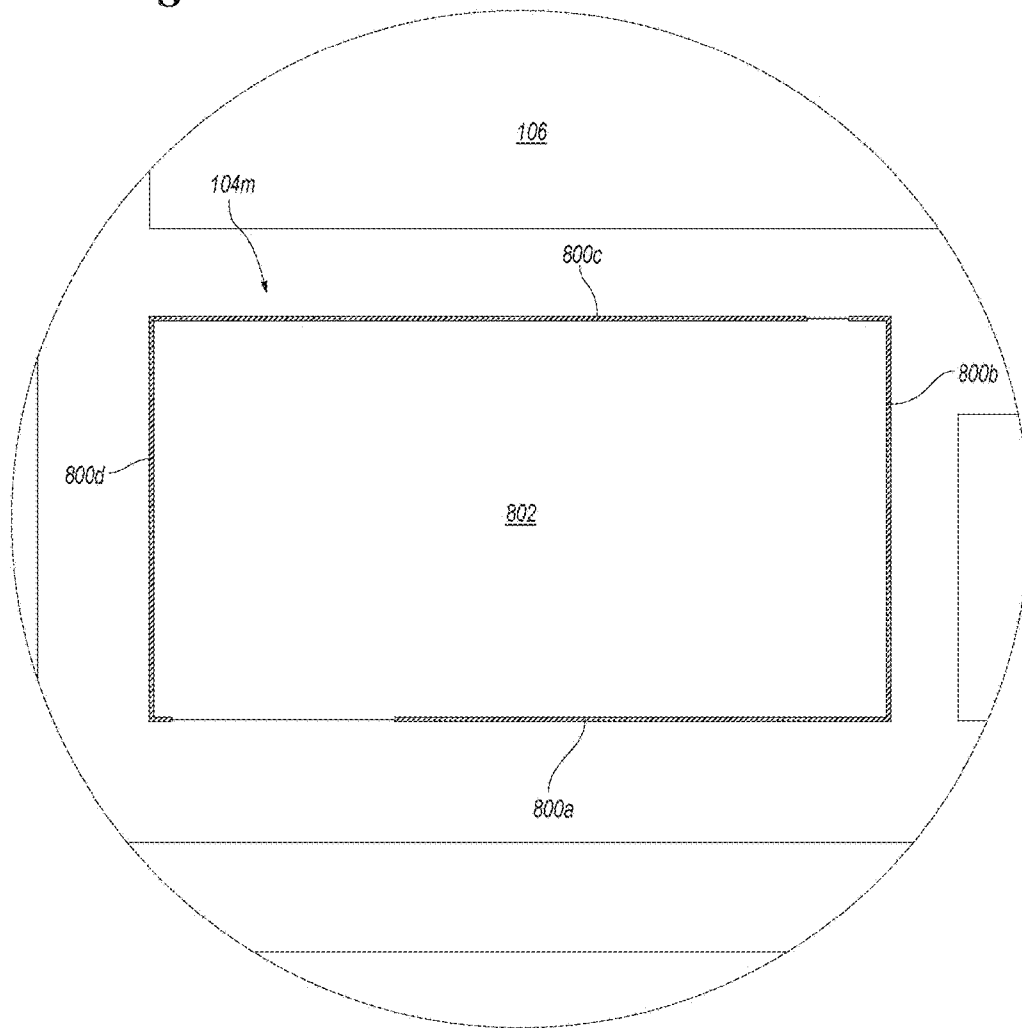




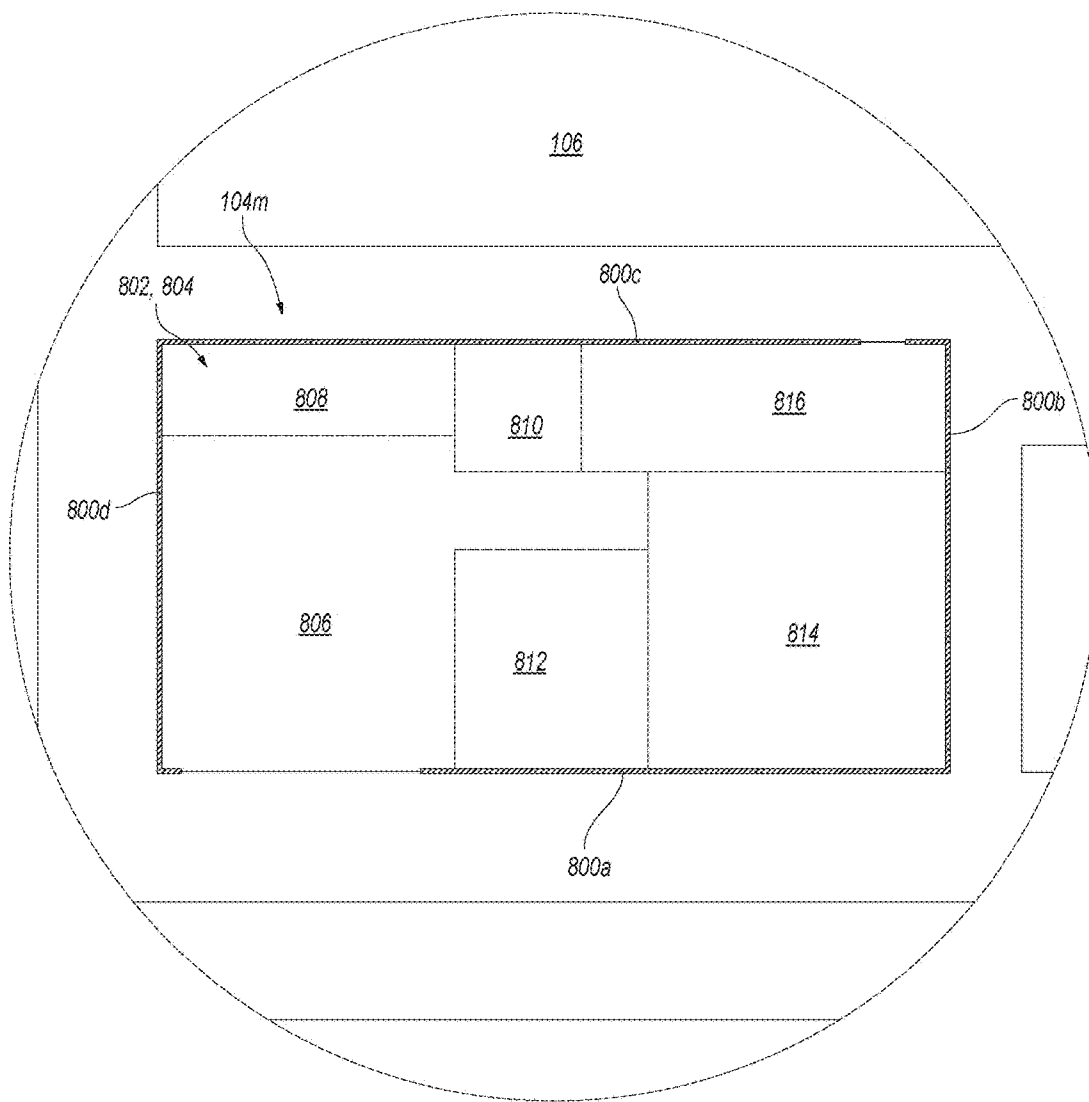
**Fig. 40**



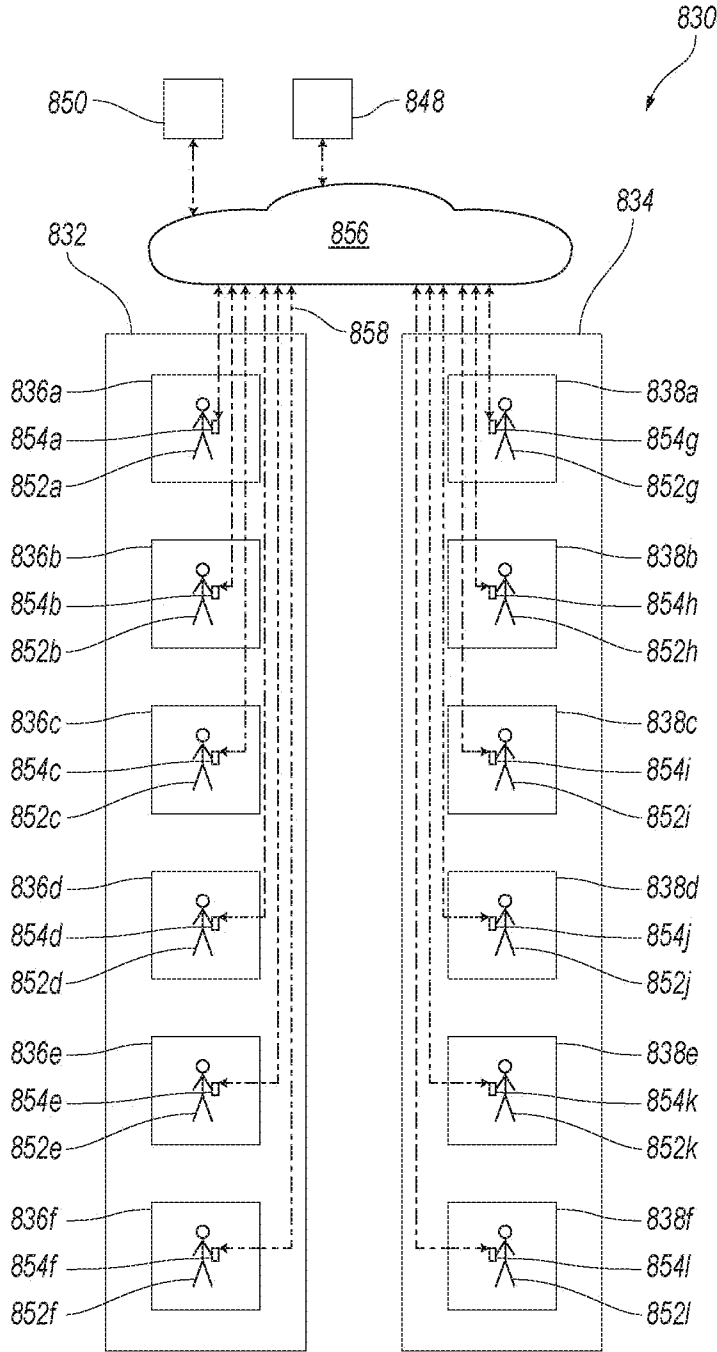
**Fig. 41**



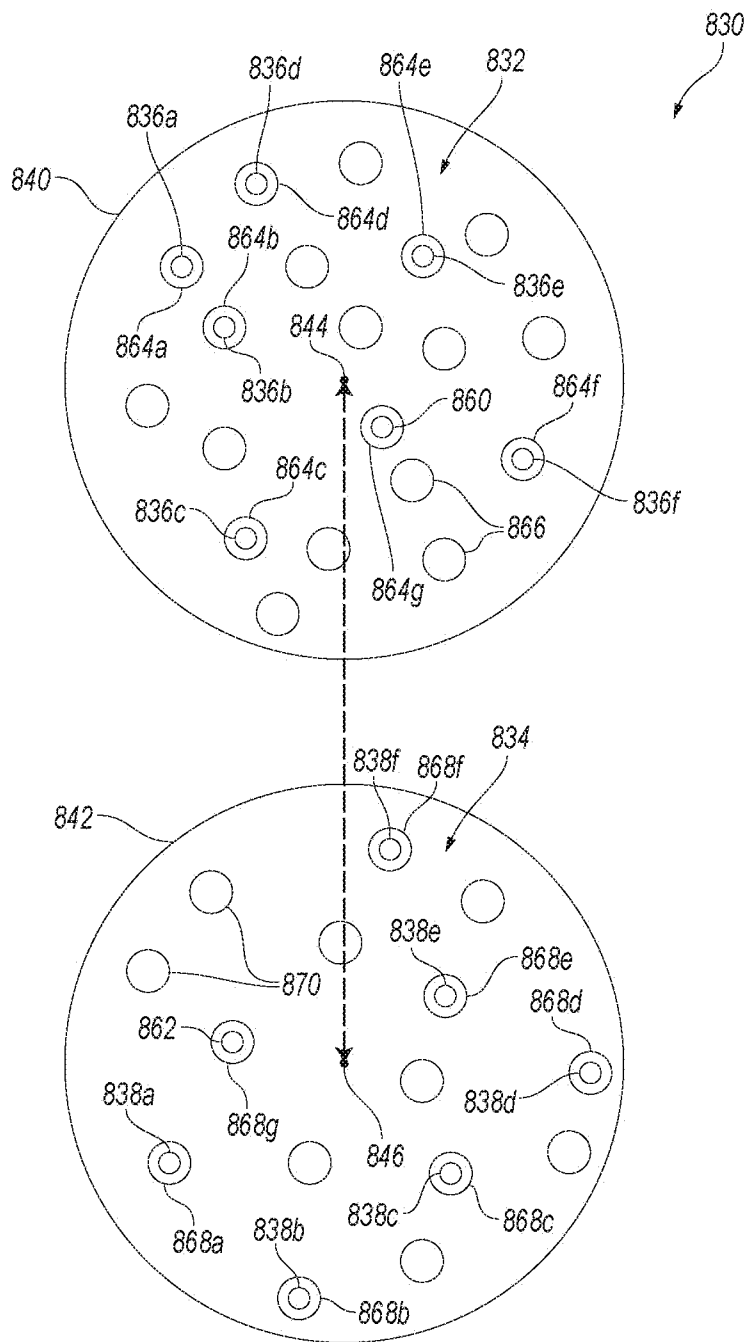
**Fig. 42 (prior art)**



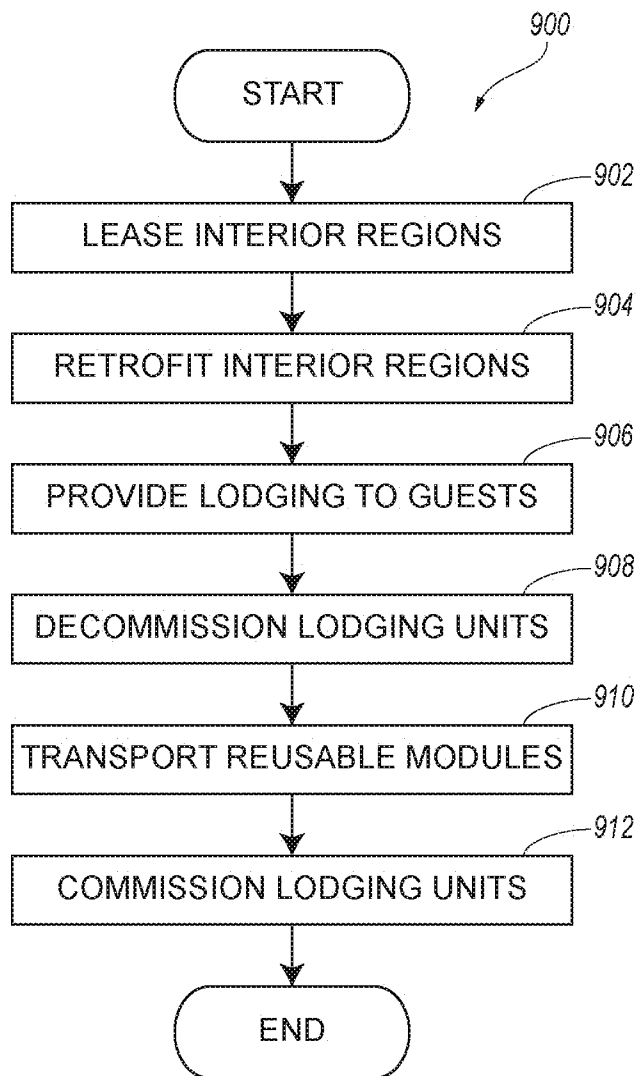
*Fig. 43*



**Fig. 44**

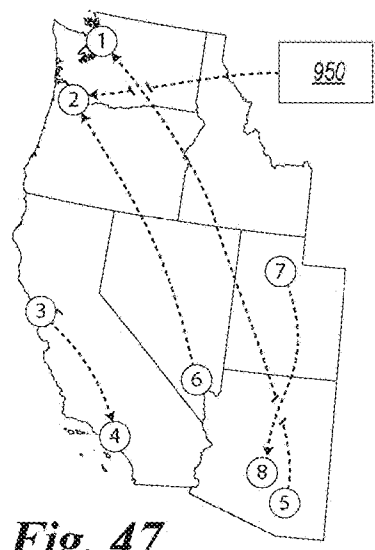


**Fig. 45**



*Fig. 46*

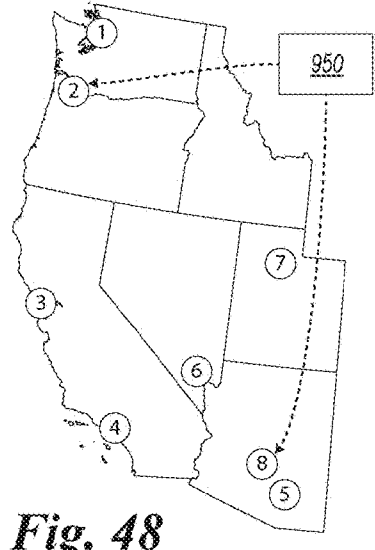
\_\_\_\_\_ = LODG. OCCUP.  
 - - - - - = NON-LODG. OCCUP.  
 ······ = MOVEMENT OF MODULES



**Fig. 47**

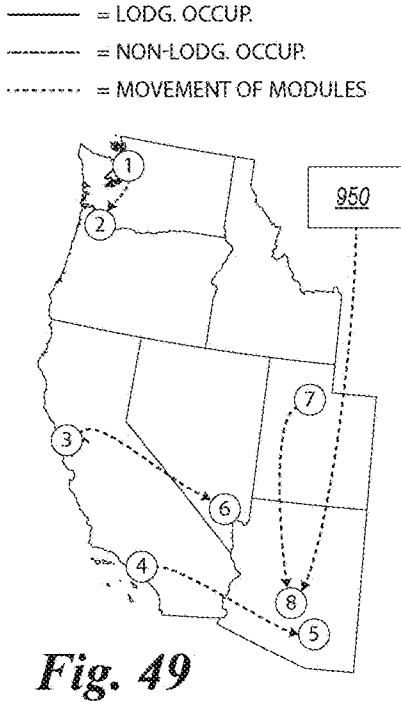
HOTEL	SEASON				FAVORED MODULE ALLOC. BY FACTOR			IMPLEM. MODULE ALLOC.	
	SPRING	SUMMER	FALL	WINTER	SEAS. LODG. OCCUP.	GEN. LODG. OCCUP. TREND	NON-LODG. OCCUP. TREND	EXISTING MODULES	NEW MODULES
1	→	→	→	→	IN	IN	OUT	IN	-
2	→	→	→	→	IN	IN	IN	IN	IN
3	→	→	→	→	IN	OUT	OUT	OUT	-
4	→	→	→	→	IN	OUT	IN	IN	-
5	→	→	→	→	OUT	IN	OUT	OUT	-
6	→	→	→	→	OUT	OUT	IN	OUT	-
7	→	→	→	→	OUT	OUT	OUT	OUT	-
8	→	→	→	→	OUT	IN	IN	IN	-

\_\_\_\_\_ = LODG. OCCUP.  
 - - - - - = NON-LODG. OCCUP.  
 ······ = MOVEMENT OF MODULES

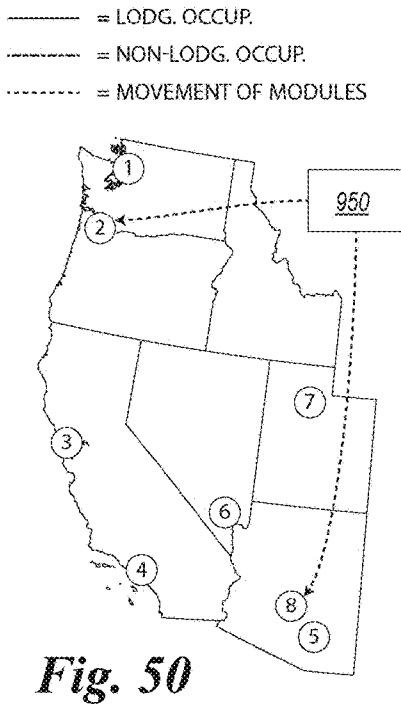


**Fig. 48**

HOTEL	SEASON				FAVORED MODULE ALLOC. BY FACTOR			IMPLEM. MODULE ALLOC.	
	SPRING	SUMMER	FALL	WINTER	SEAS. LODG. OCCUP.	GEN. LODG. OCCUP. TREND	NON-LODG. OCCUP. TREND	EXISTING MODULES	NEW MODULES
1	→	→	→	→	-	IN	OUT	-	-
2	→	→	→	→	-	IN	IN	-	IN
3	→	→	→	→	-	OUT	OUT	-	-
4	→	→	→	→	-	OUT	IN	-	-
5	→	→	→	→	-	IN	OUT	-	-
6	→	→	→	→	-	OUT	IN	-	-
7	→	→	→	→	-	OUT	OUT	-	-
8	→	→	→	→	-	IN	IN	-	IN

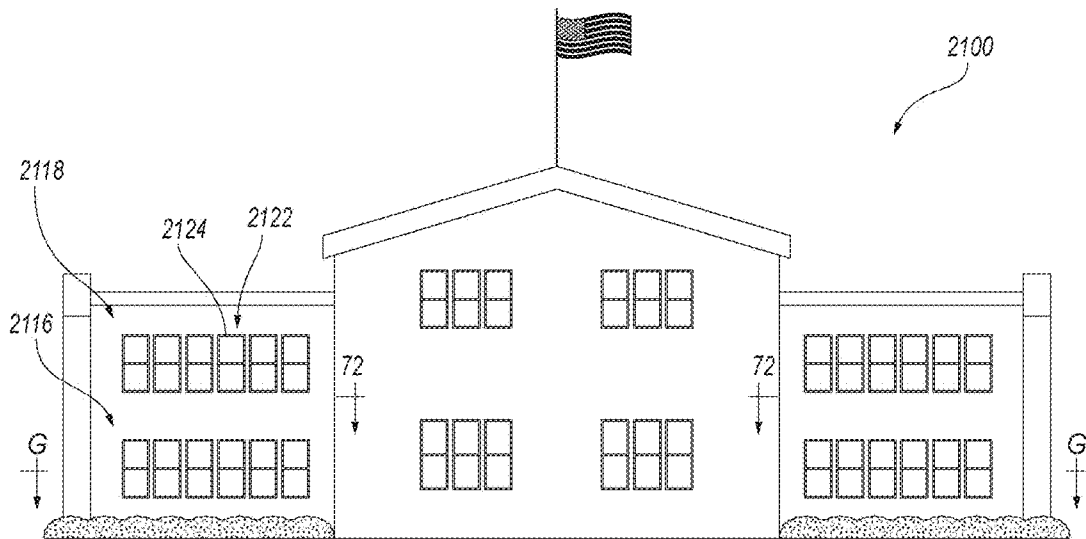


HOTEL	SEASON				FAVORED MODULE ALLOC. BY FACTOR				IMPLEM. MODULE ALLOC.	
	SPRING	SUMMER	FALL	WINTER	SEAS. LODG. OCCUP.	GEN. LODG. OCCUP. TREND	NON-LODG. OCCUP. TREND	EXISTING MODULES	NEW MODULES	
1	→	→	→	→	OUT	IN	OUT	OUT	-	
2	→	→	→	→	OUT	IN	IN	IN	-	
3	→	→	→	→	OUT	OUT	OUT	OUT	-	
4	→	→	→	→	OUT	OUT	IN	OUT	-	
5	→	→	→	→	IN	IN	OUT	IN	-	
6	→	→	→	→	IN	OUT	IN	IN	-	
7	→	→	→	→	IN	OUT	OUT	OUT	-	
8	→	→	→	→	IN	IN	IN	IN	IN	

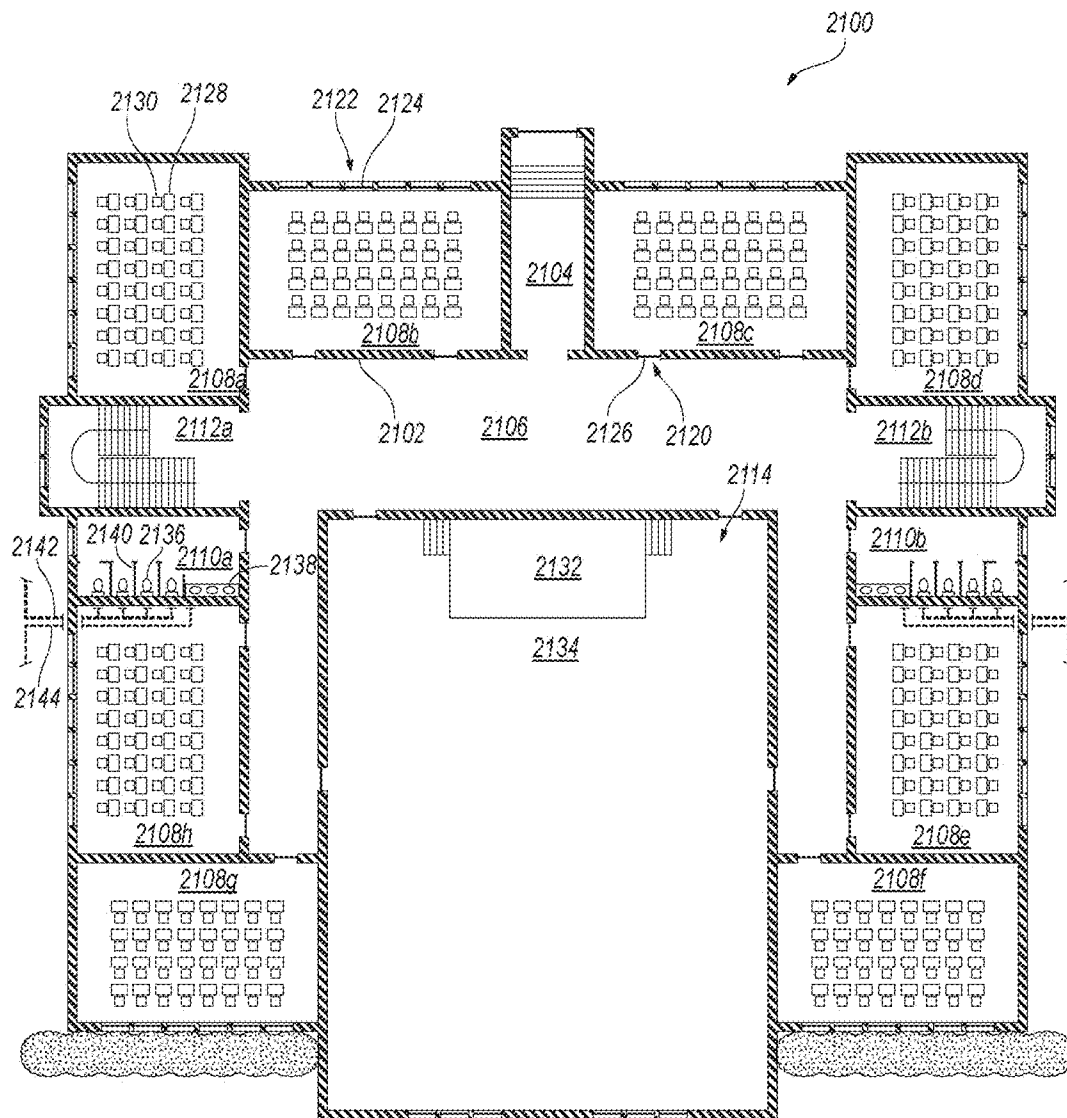


HOTEL	SEASON				FAVORED MODULE ALLOC. BY FACTOR				IMPLEM. MODULE ALLOC.	
	SPRING	SUMMER	FALL	WINTER	SEAS. LODG. OCCUP.	GEN. LODG. OCCUP. TREND	NON-LODG. OCCUP. TREND	EXISTING MODULES	NEW MODULES	
1	→	→	→	→	-	IN	OUT	-	-	
2	→	→	→	→	-	IN	IN	-	IN	
3	→	→	→	→	-	OUT	OUT	-	-	
4	→	→	→	→	-	OUT	IN	-	-	
5	→	→	→	→	-	IN	OUT	-	-	
6	→	→	→	→	-	OUT	IN	-	-	
7	→	→	→	→	-	OUT	OUT	-	-	
8	→	→	→	→	-	IN	IN	-	IN	





*Fig. 51*  
*(prior art)*



**Fig. 52**  
**(prior art)**

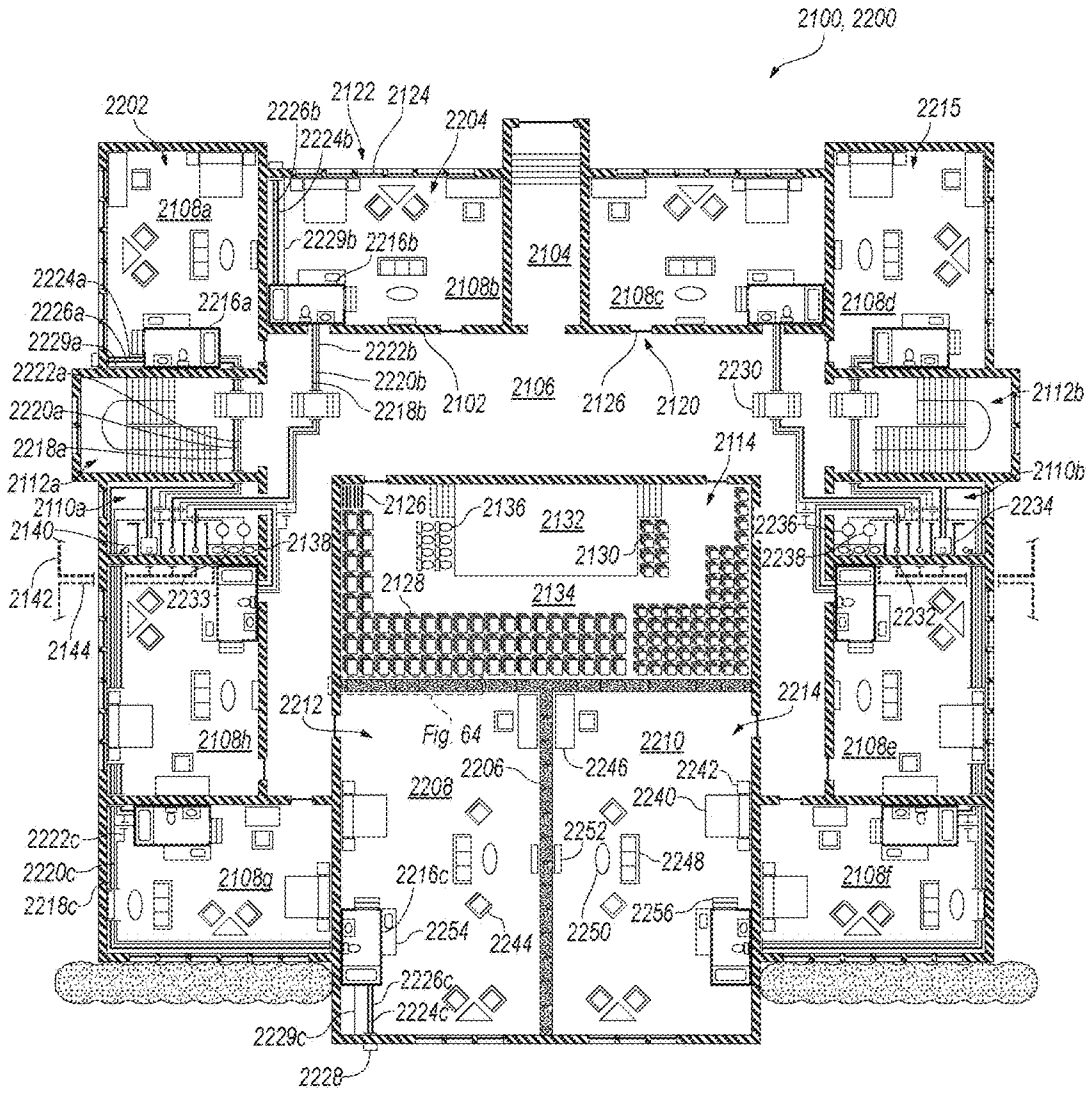
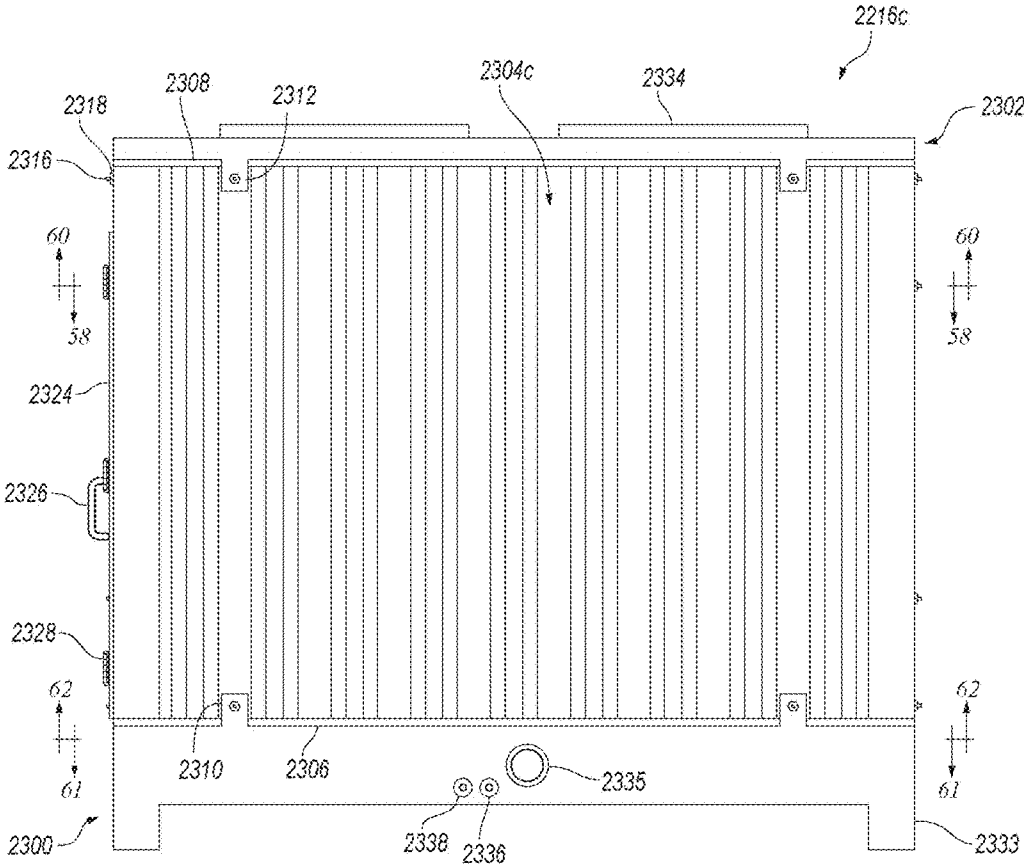
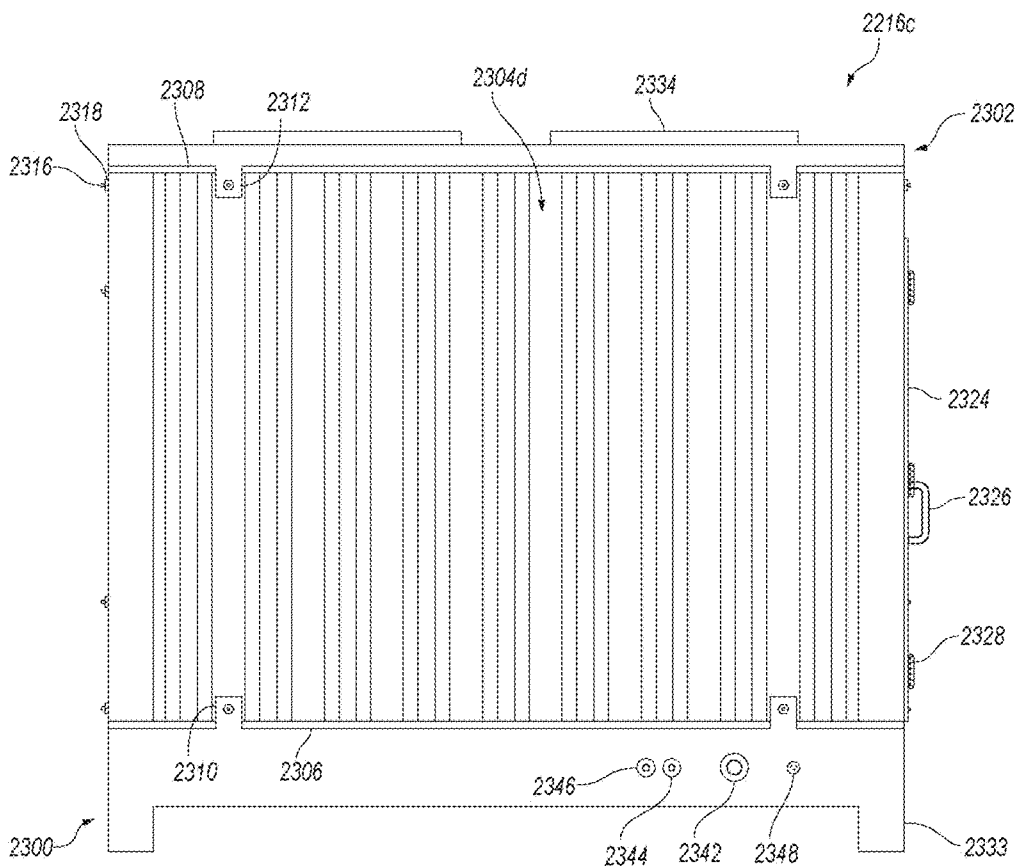


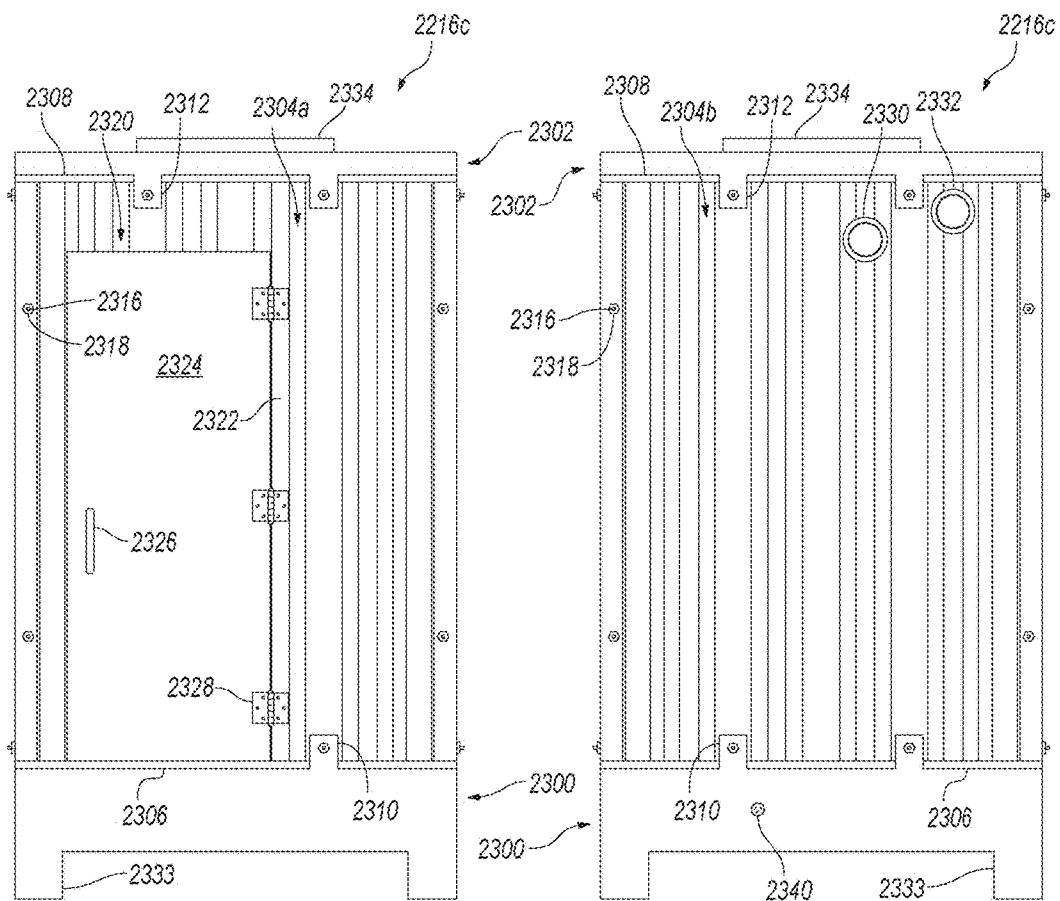
Fig. 53



**Fig. 54**

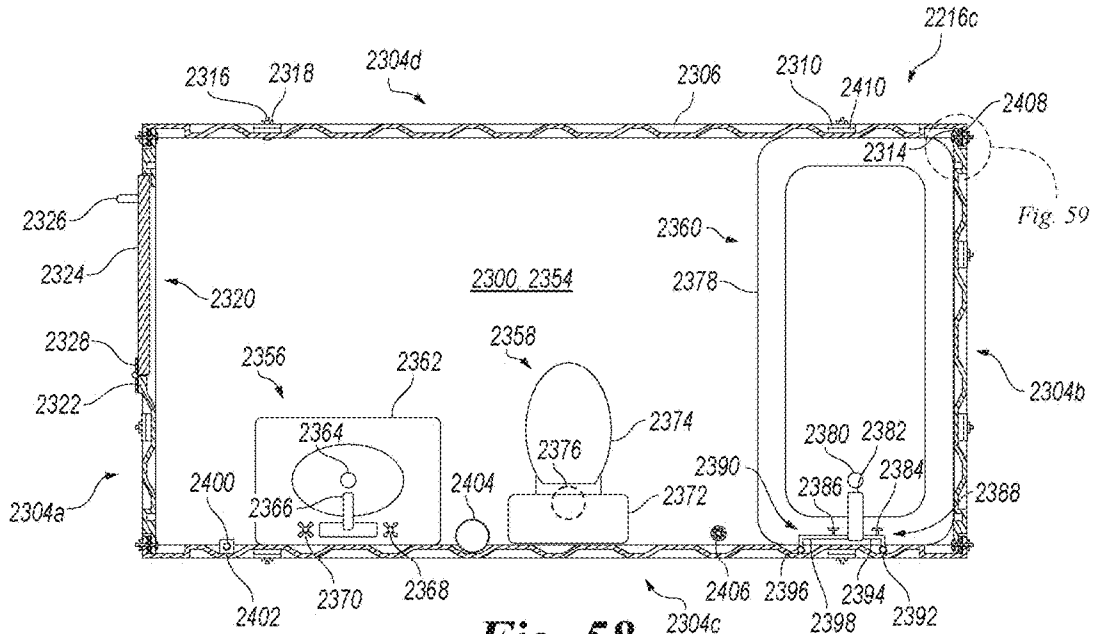


**Fig. 55**

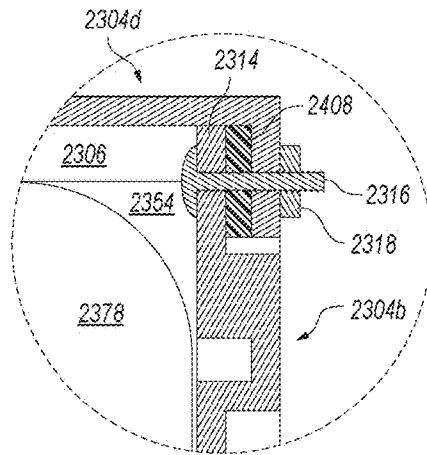


**Fig. 56**

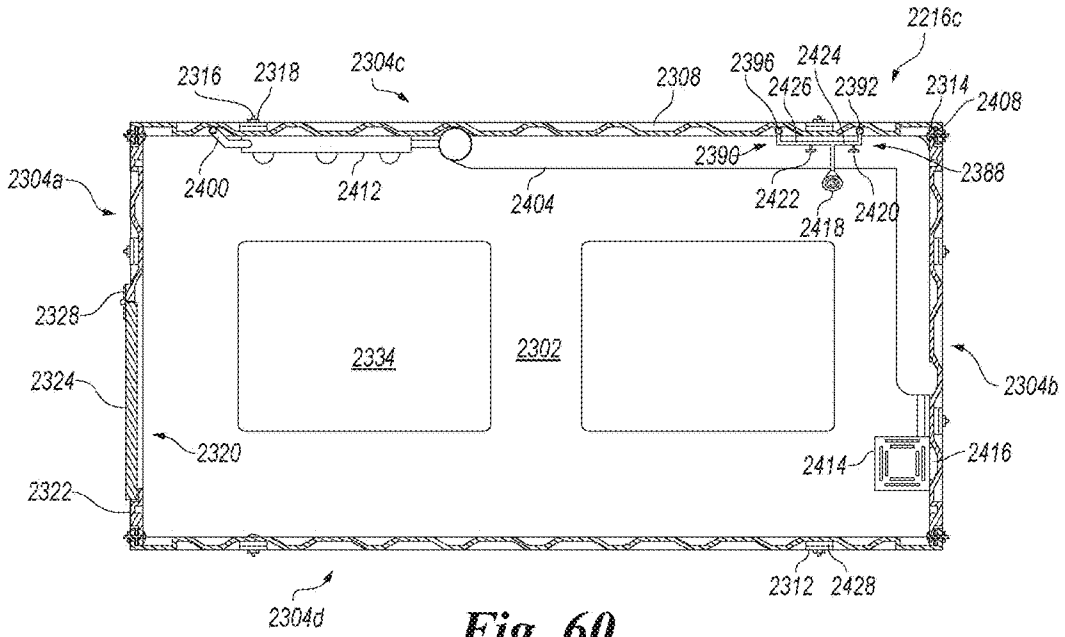
**Fig. 57**



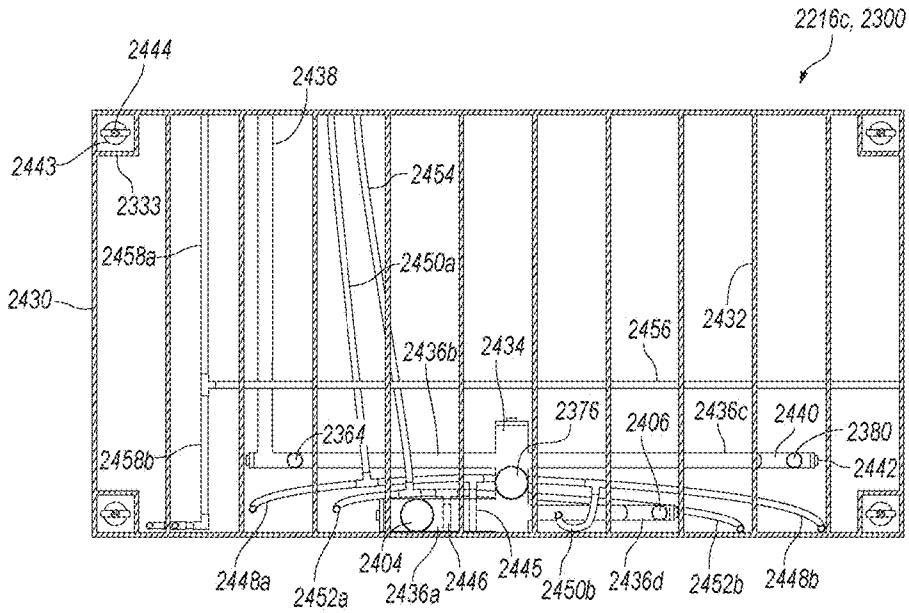
**Fig. 58**



**Fig. 59**

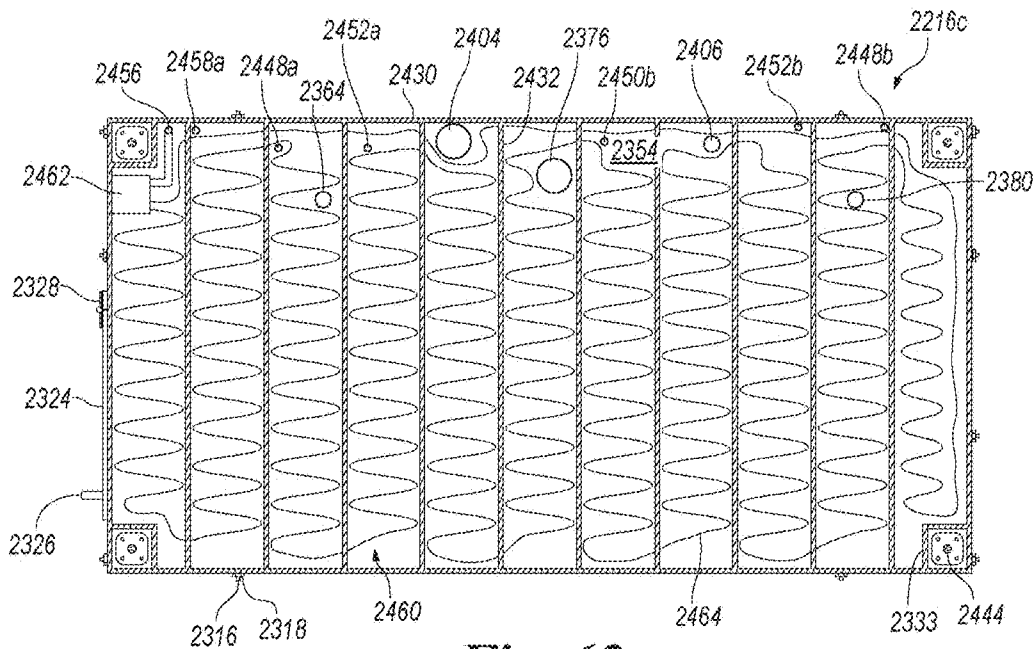


**Fig. 60**

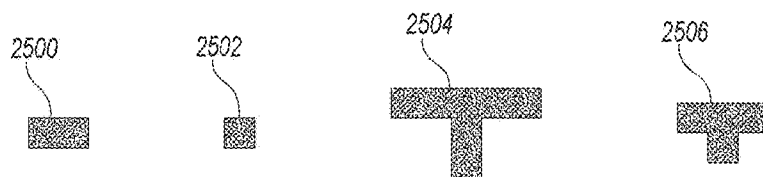


**Fig. 61**

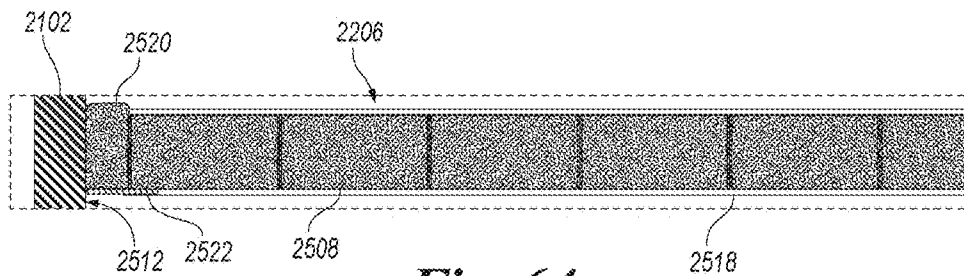




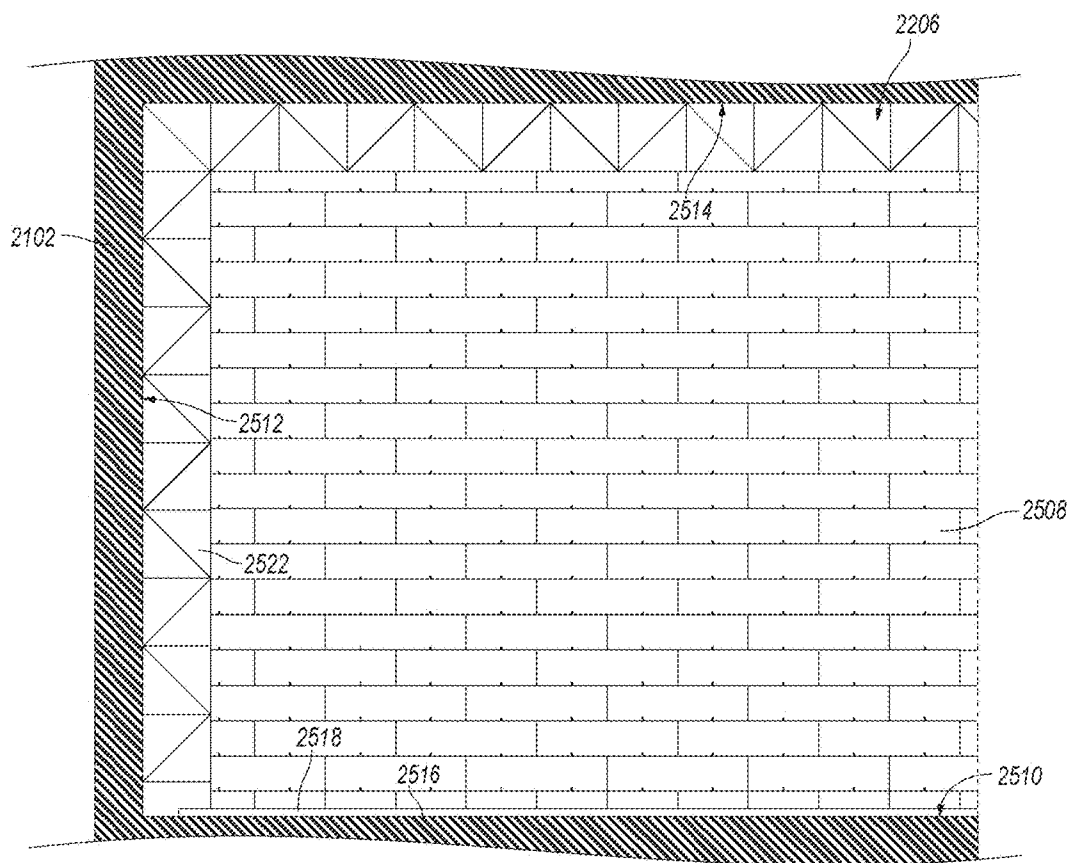
**Fig. 62**



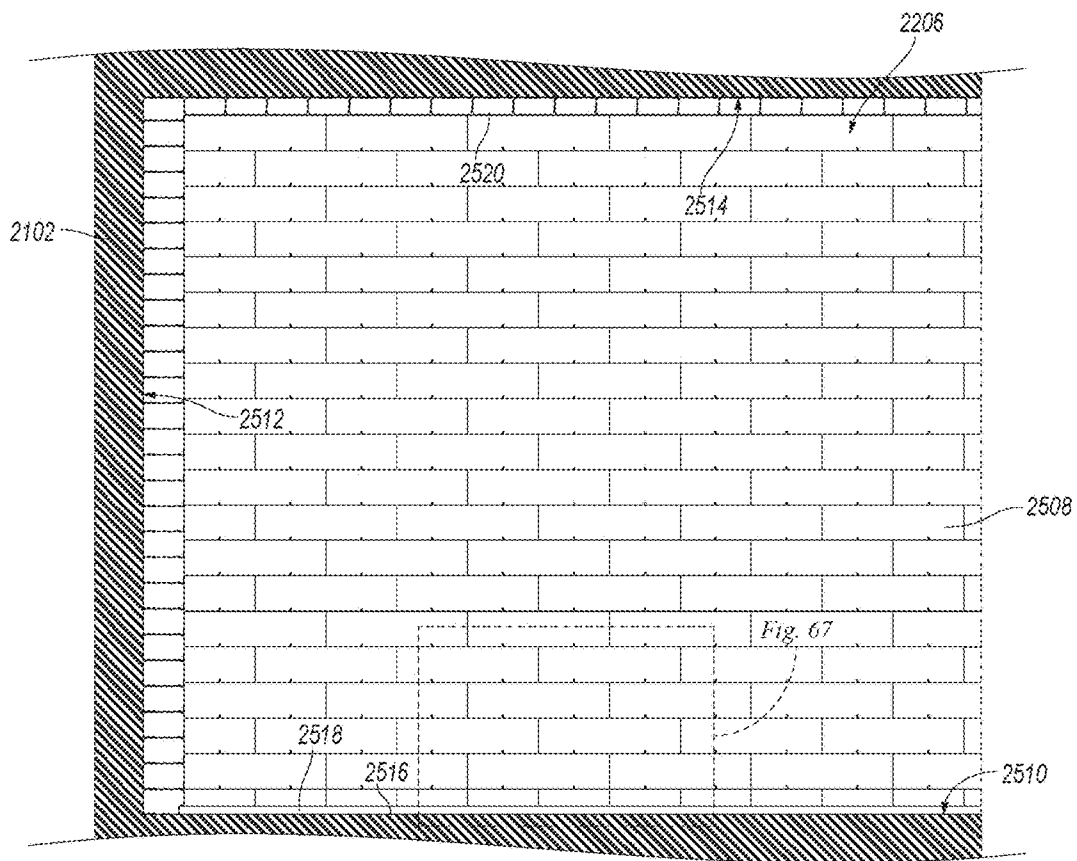
**Fig. 63**



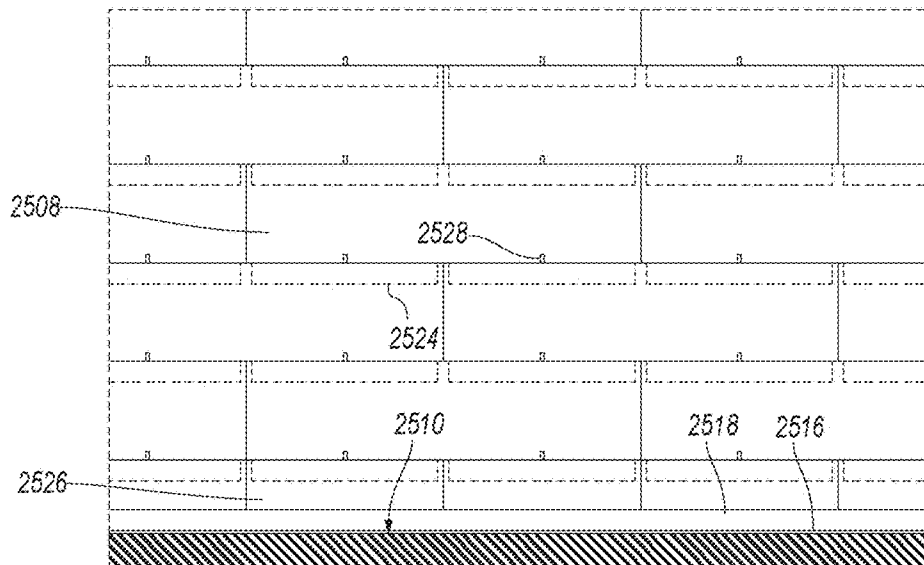
**Fig. 64**



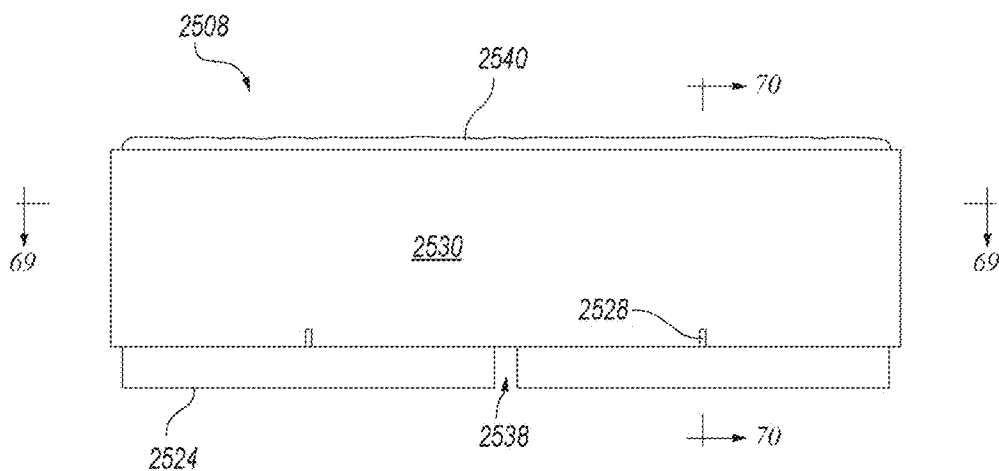
*Fig. 65*



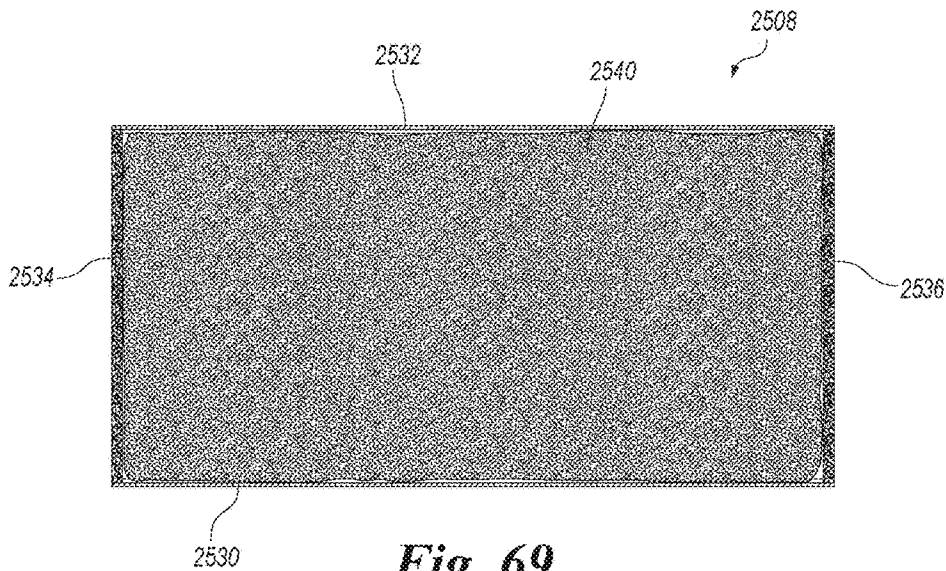
**Fig. 66**



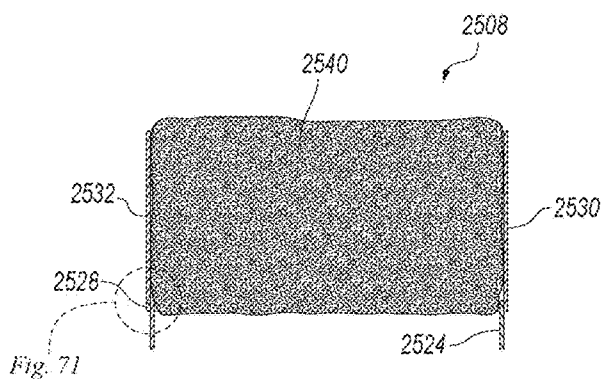
**Fig. 67**



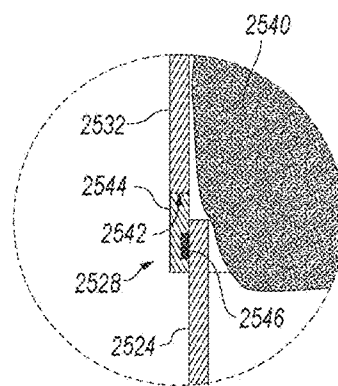
**Fig. 68**



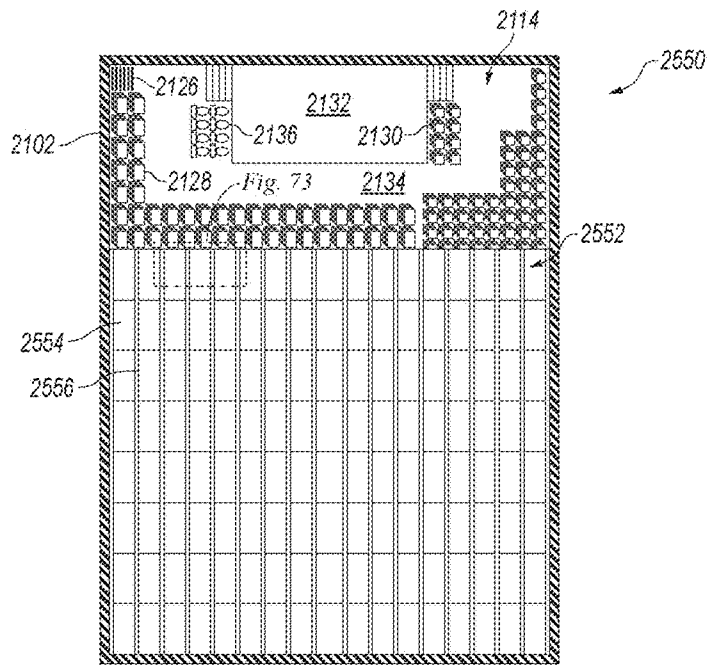
**Fig. 69**



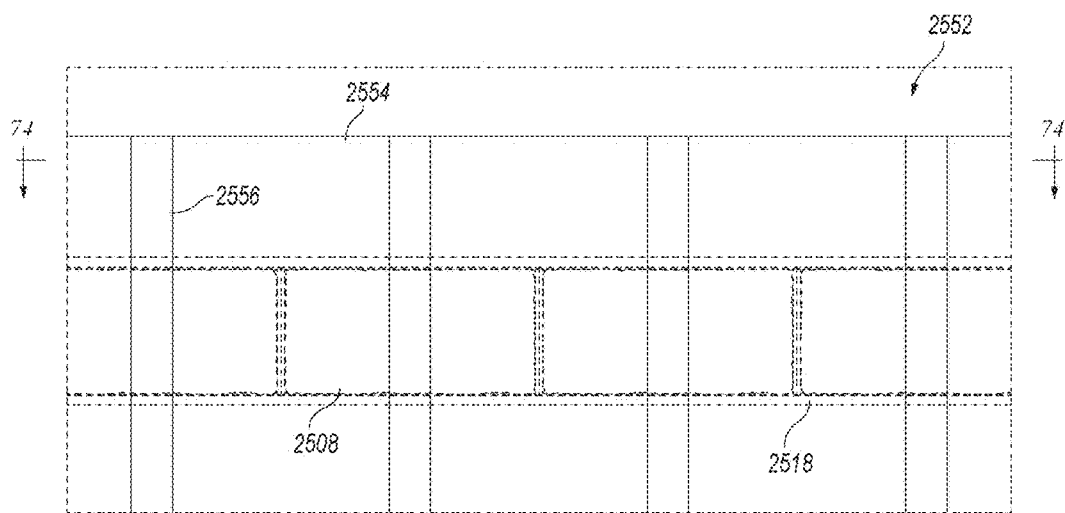
**Fig. 70**



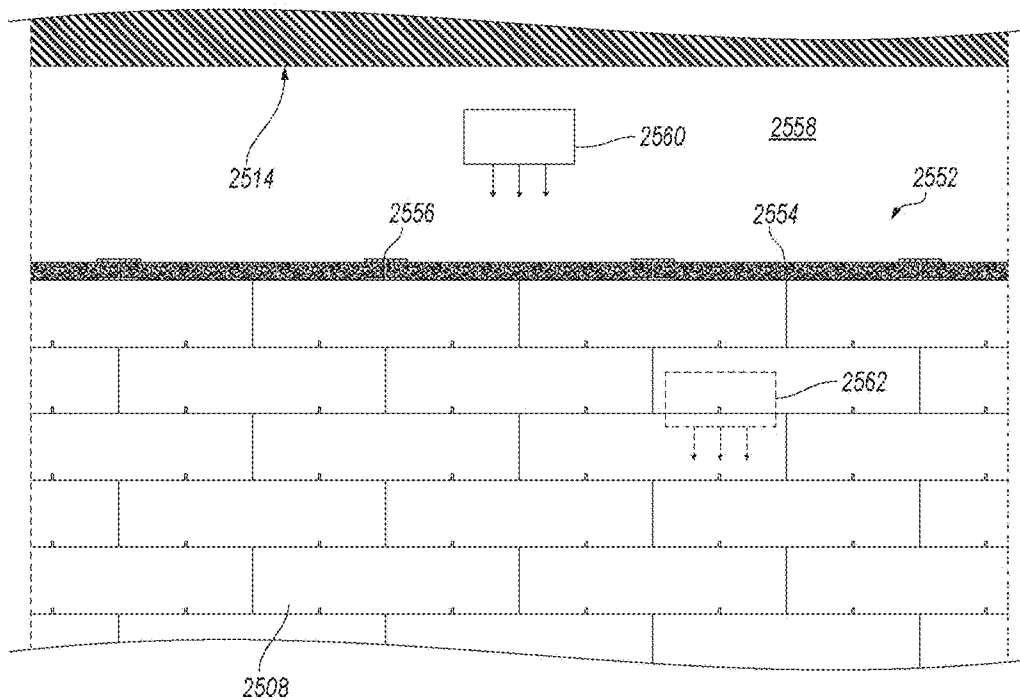
**Fig. 71**



**Fig. 72**



**Fig. 73**



**Fig. 74**

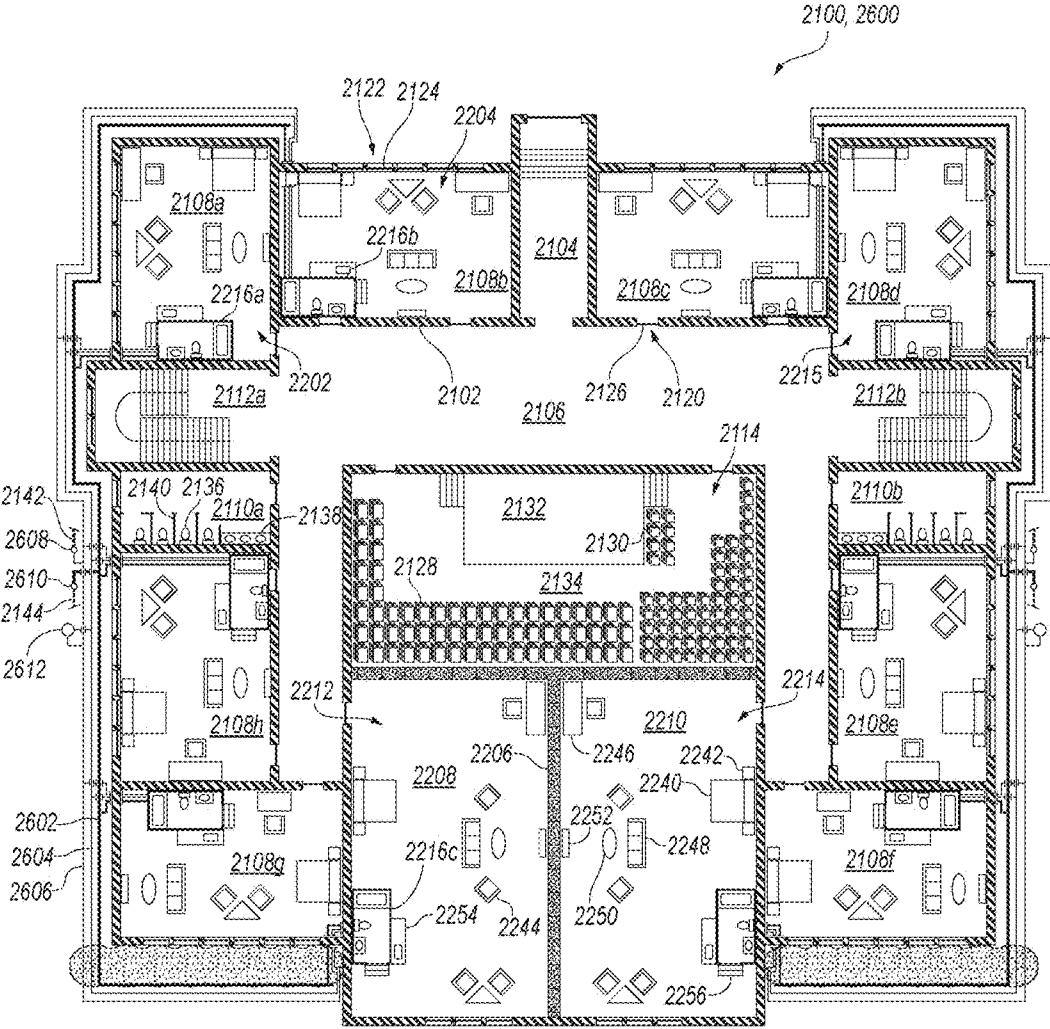


Fig. 75



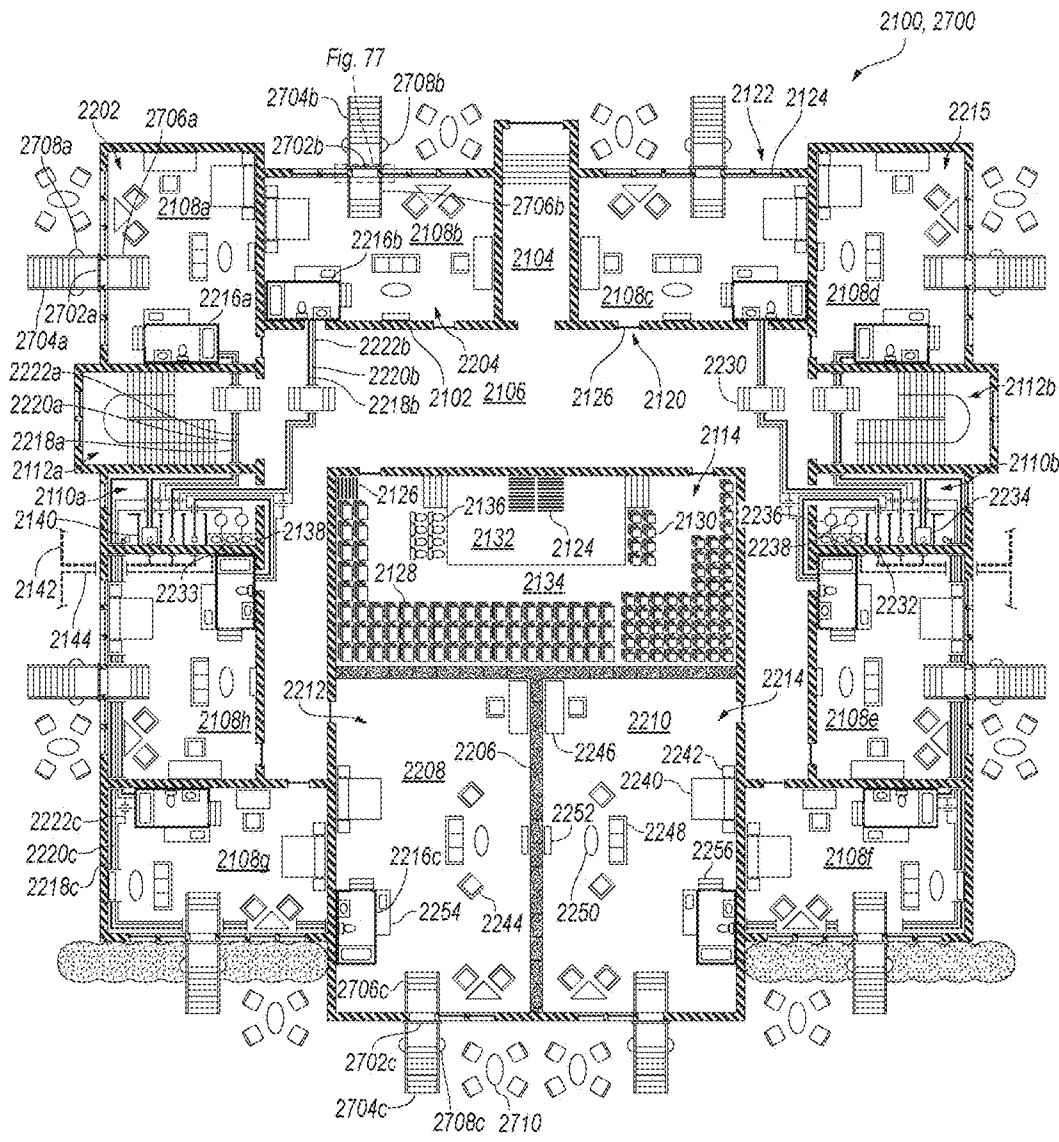
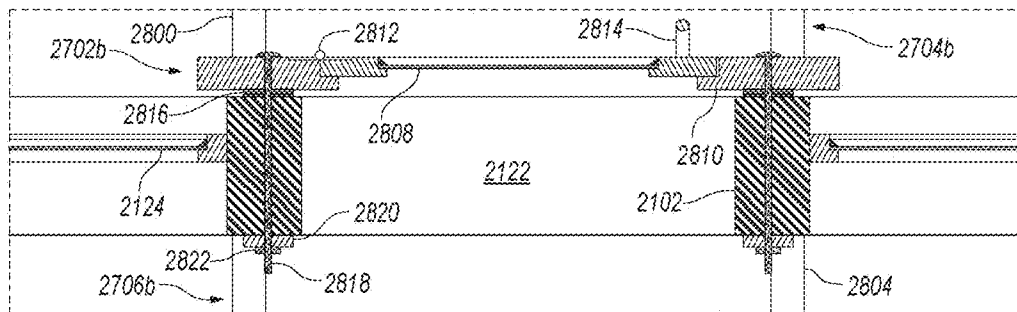
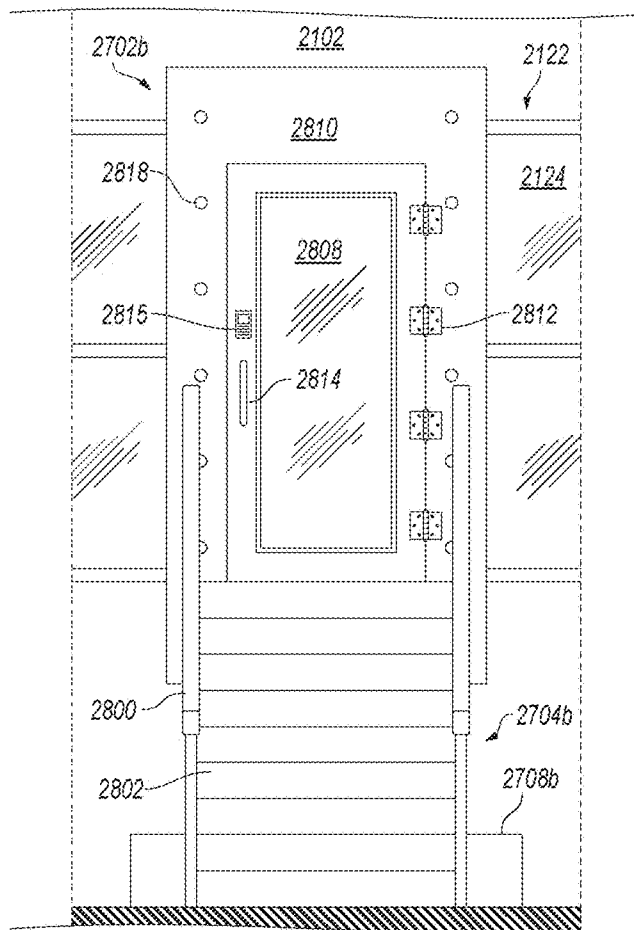


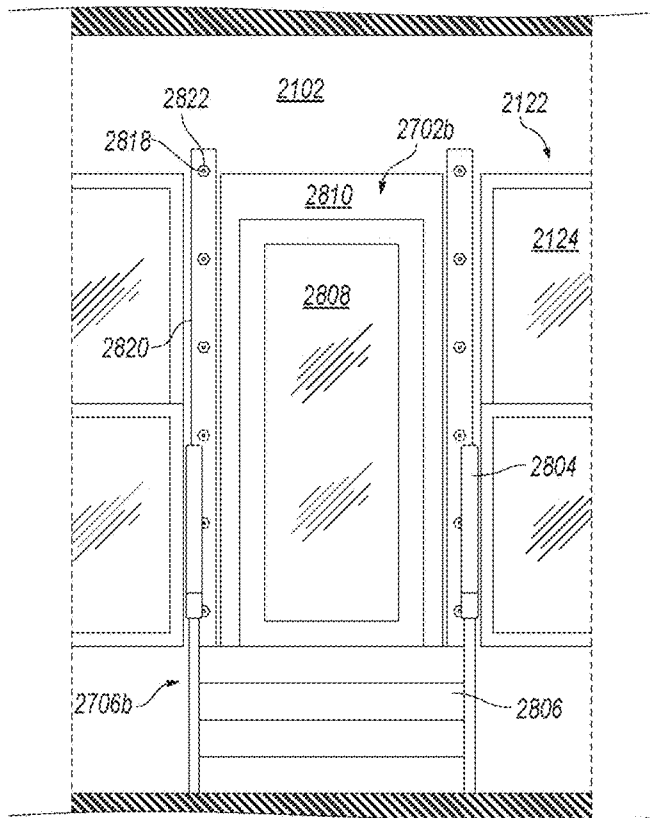
Fig. 76



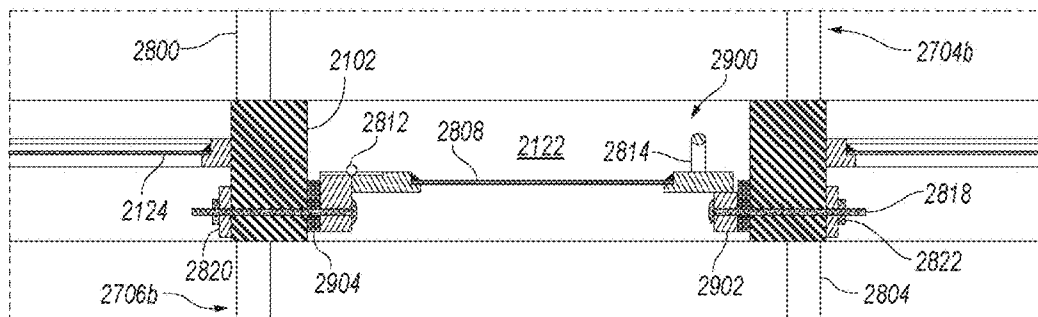
**Fig. 77**



**Fig. 78**



*Fig. 79*



*Fig. 80*

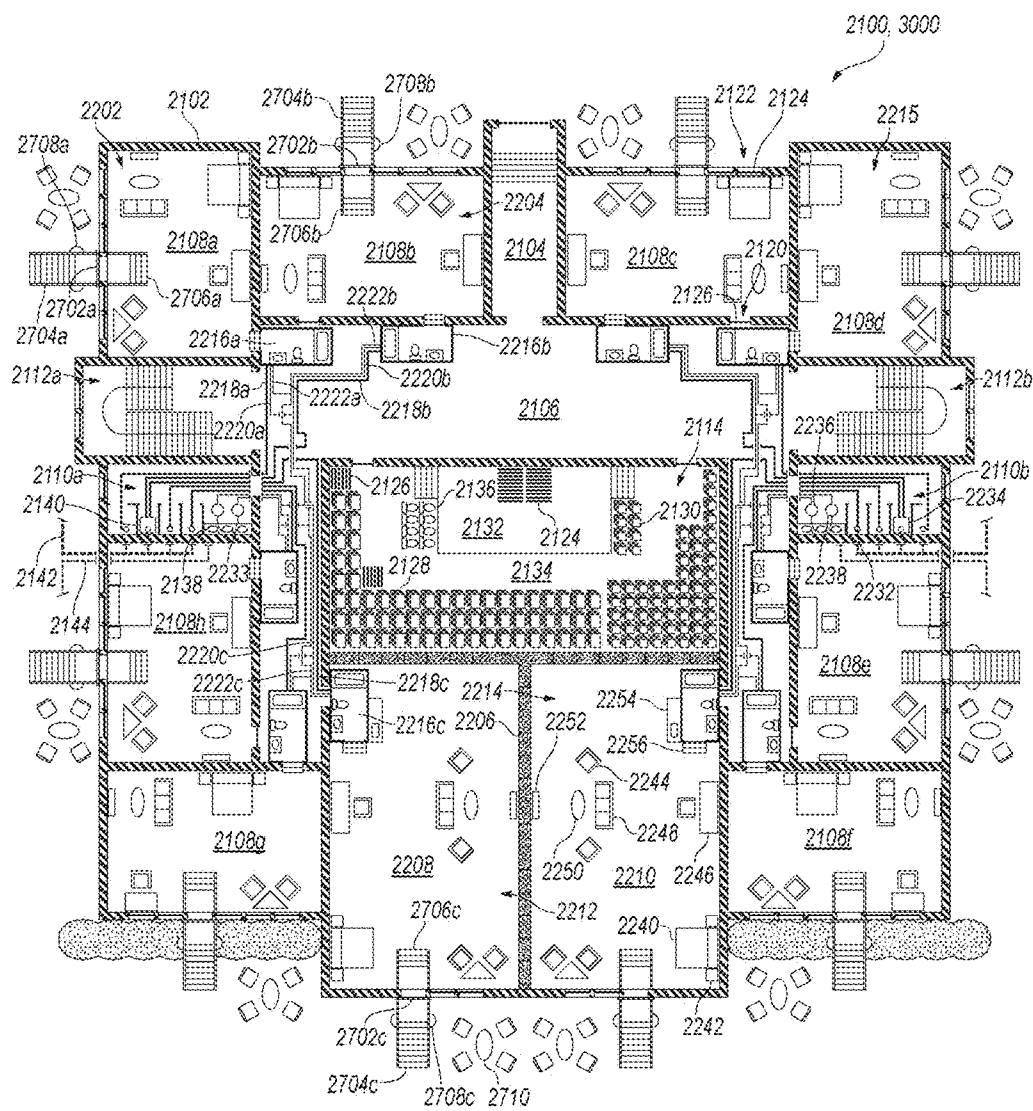


Fig. 81

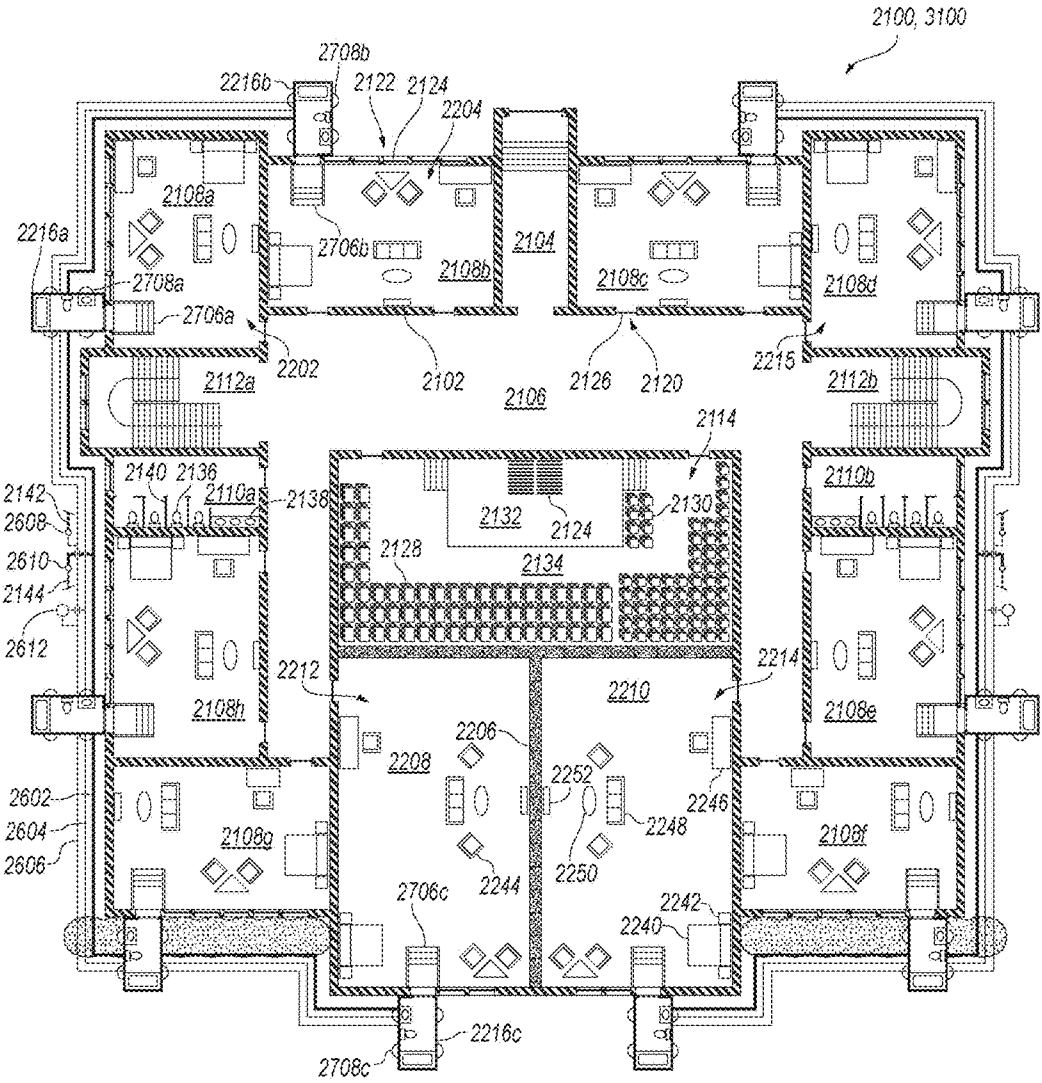


Fig. 82

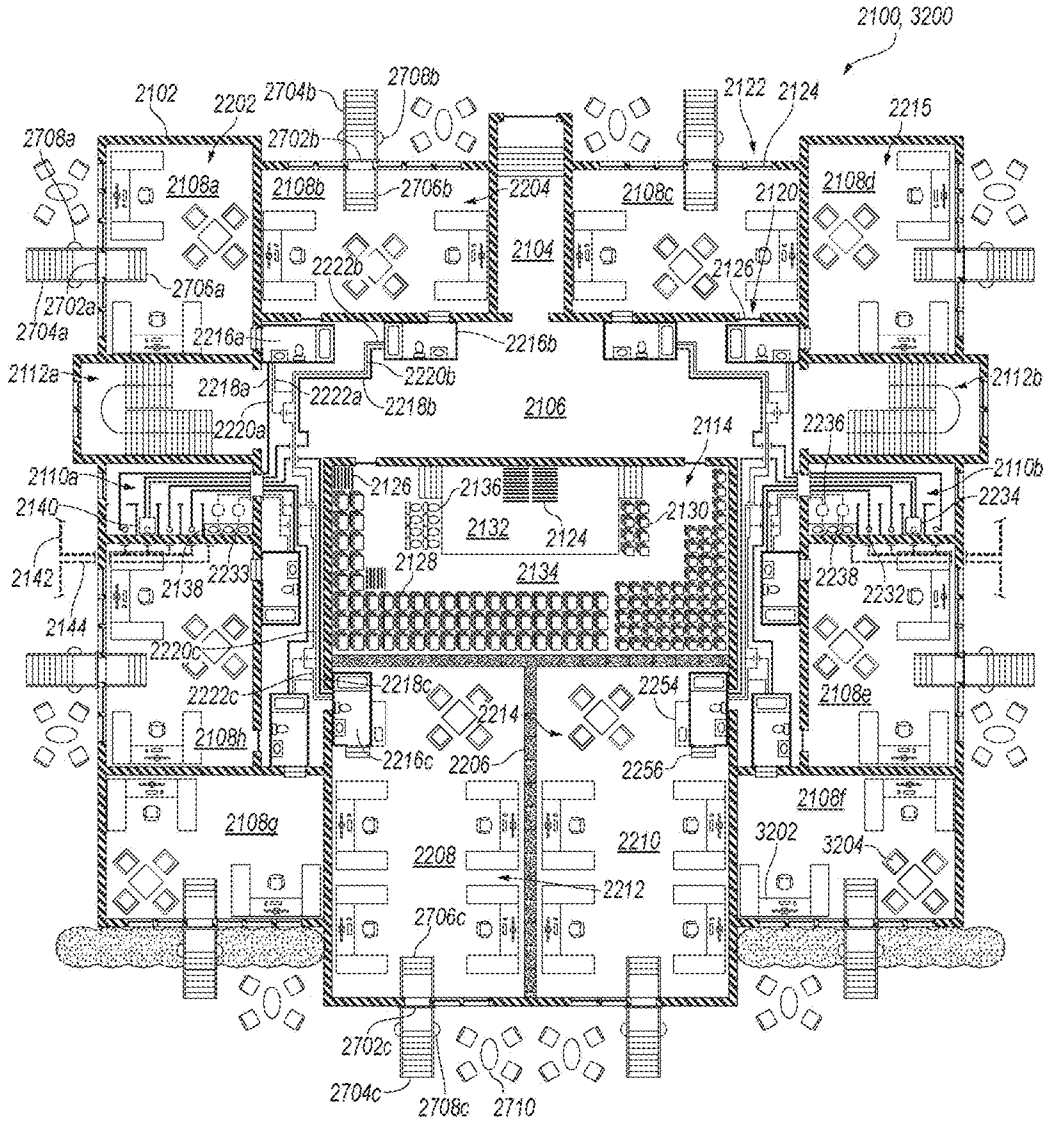


Fig. 83

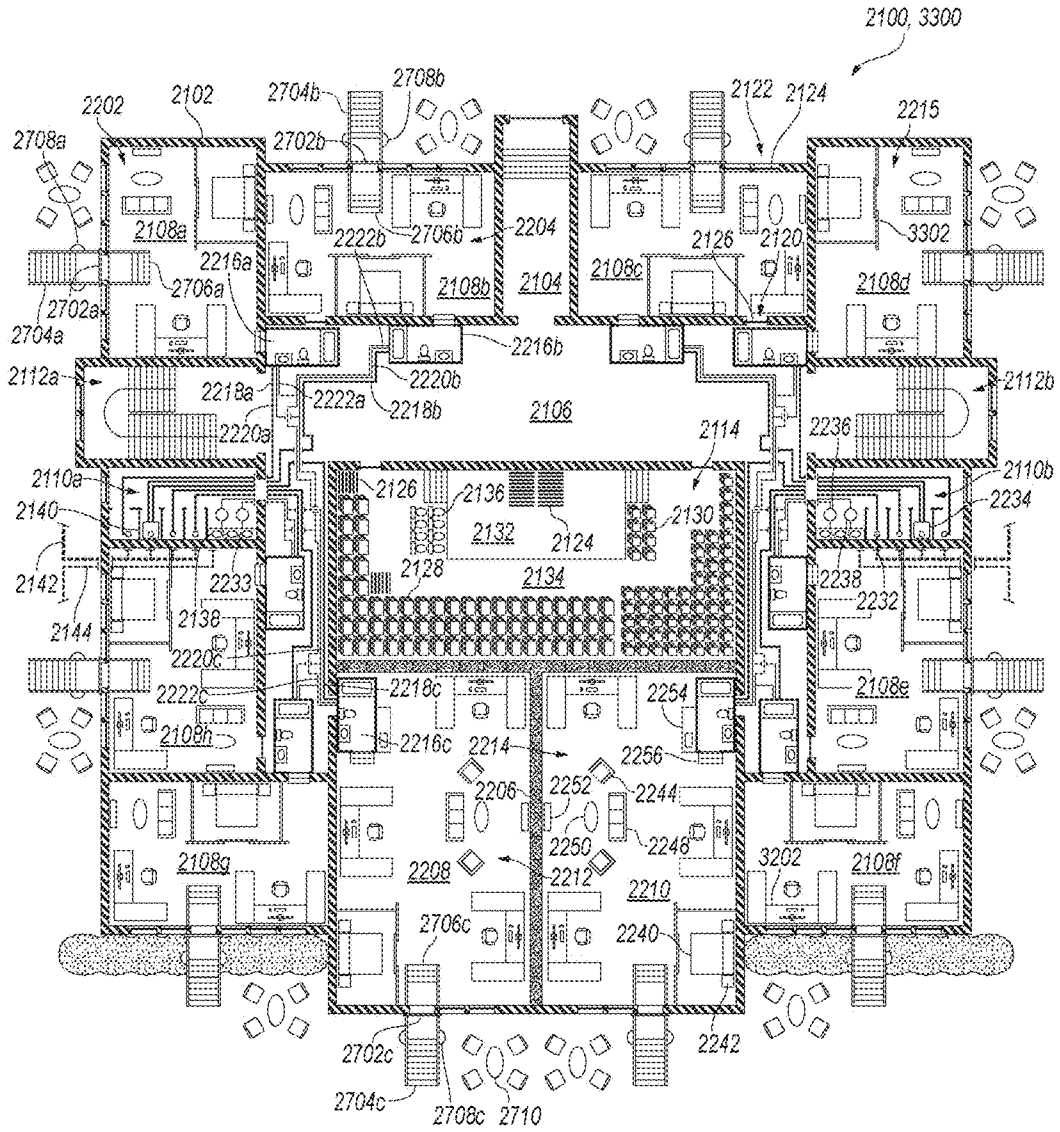


Fig. 84

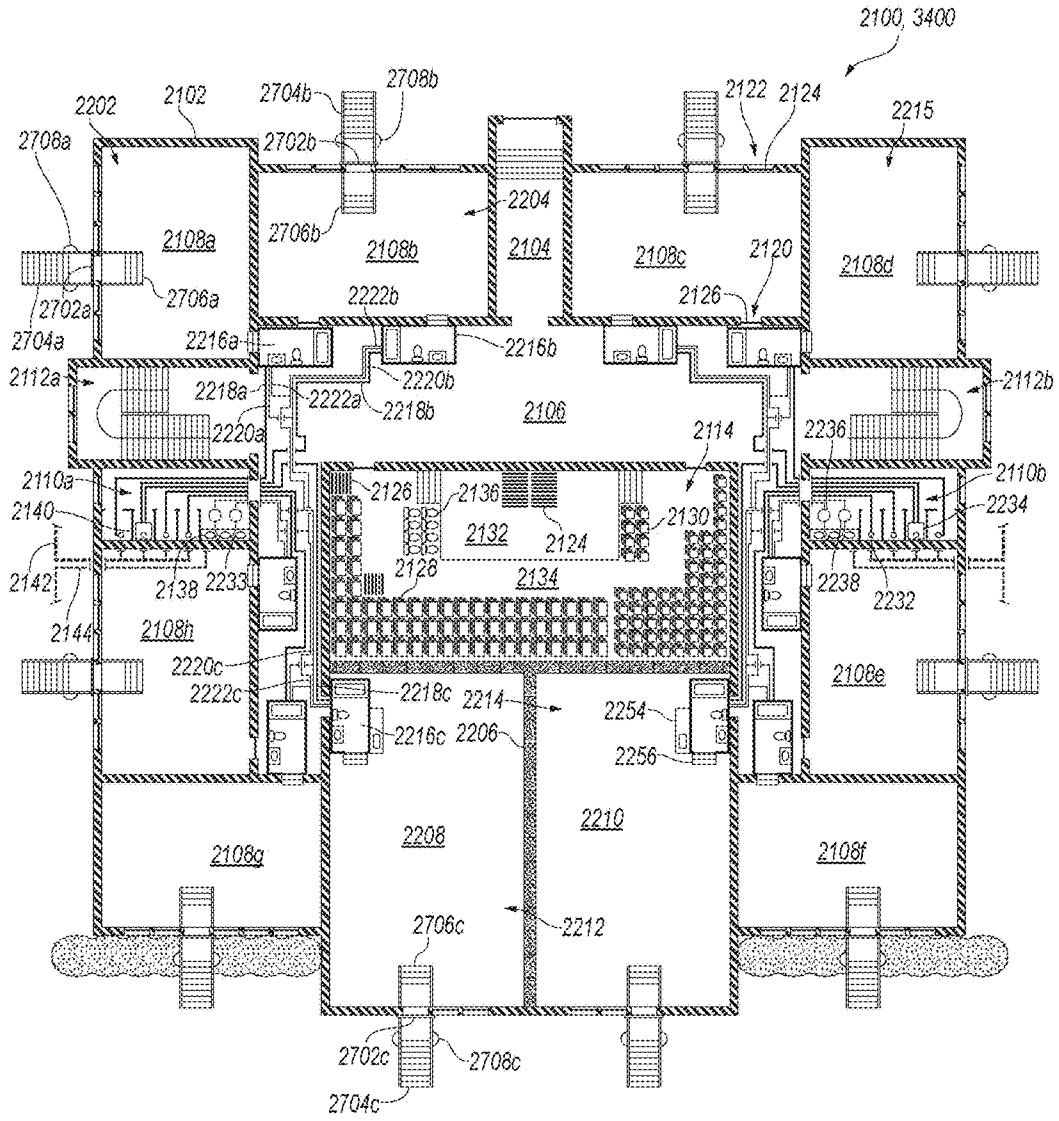
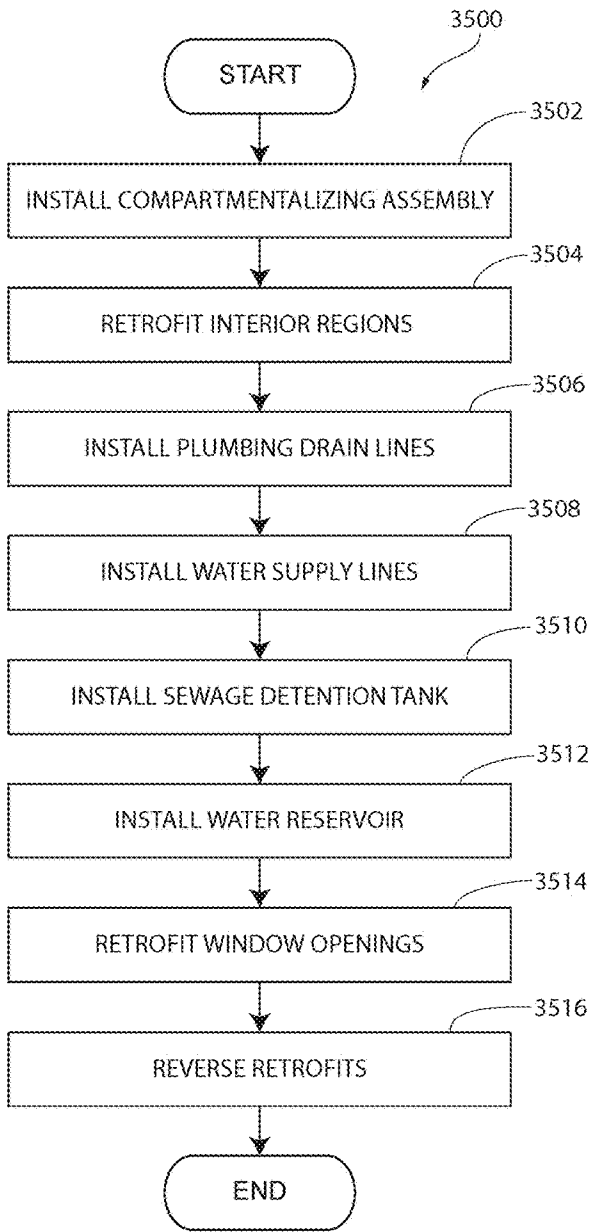
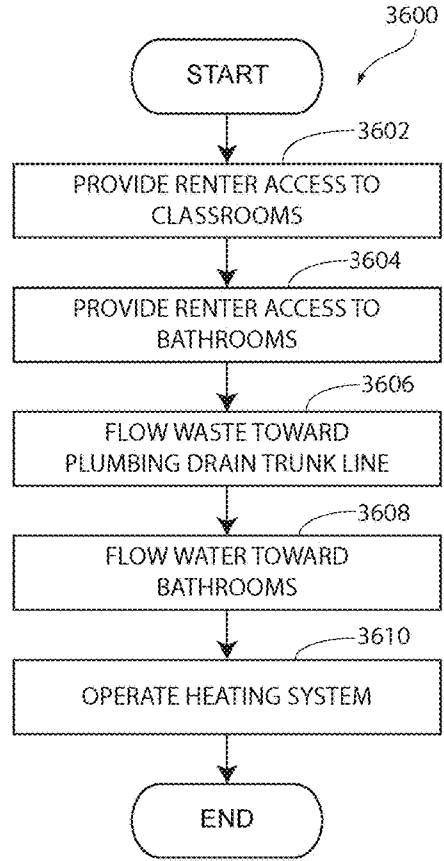


Fig. 85

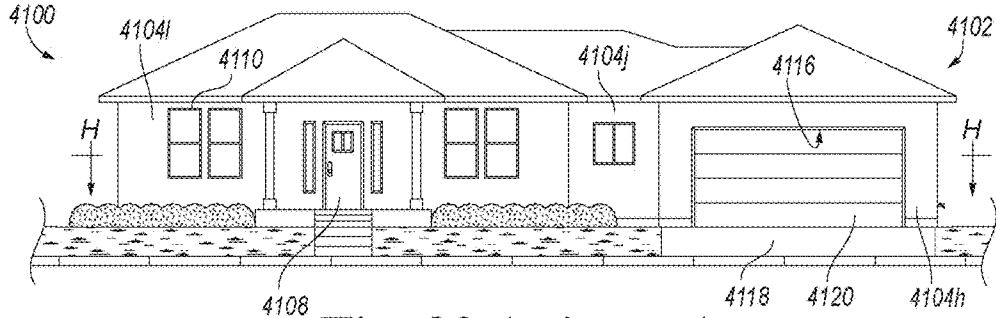




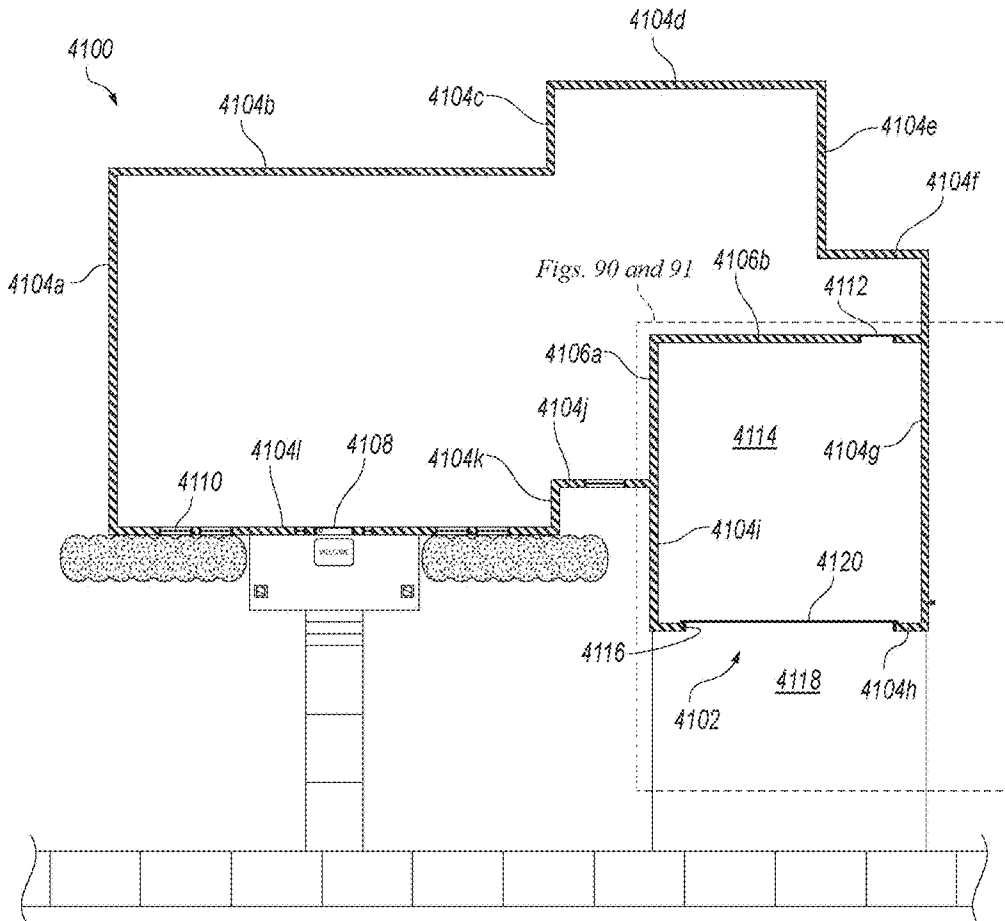
*Fig. 86*



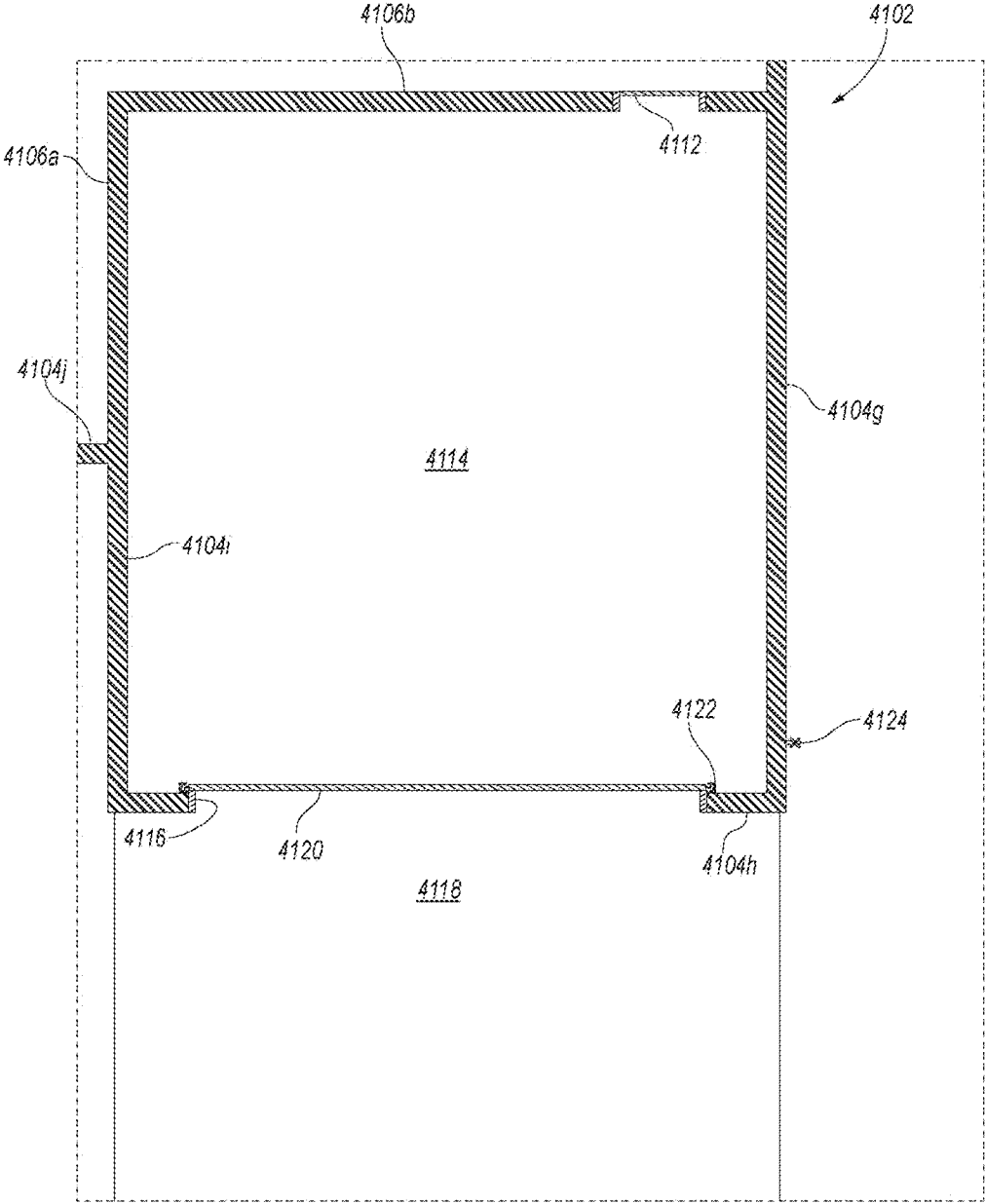
*Fig. 87*



**Fig. 88 (prior art)**



**Fig. 89 (prior art)**



*Fig. 90 (prior art)*

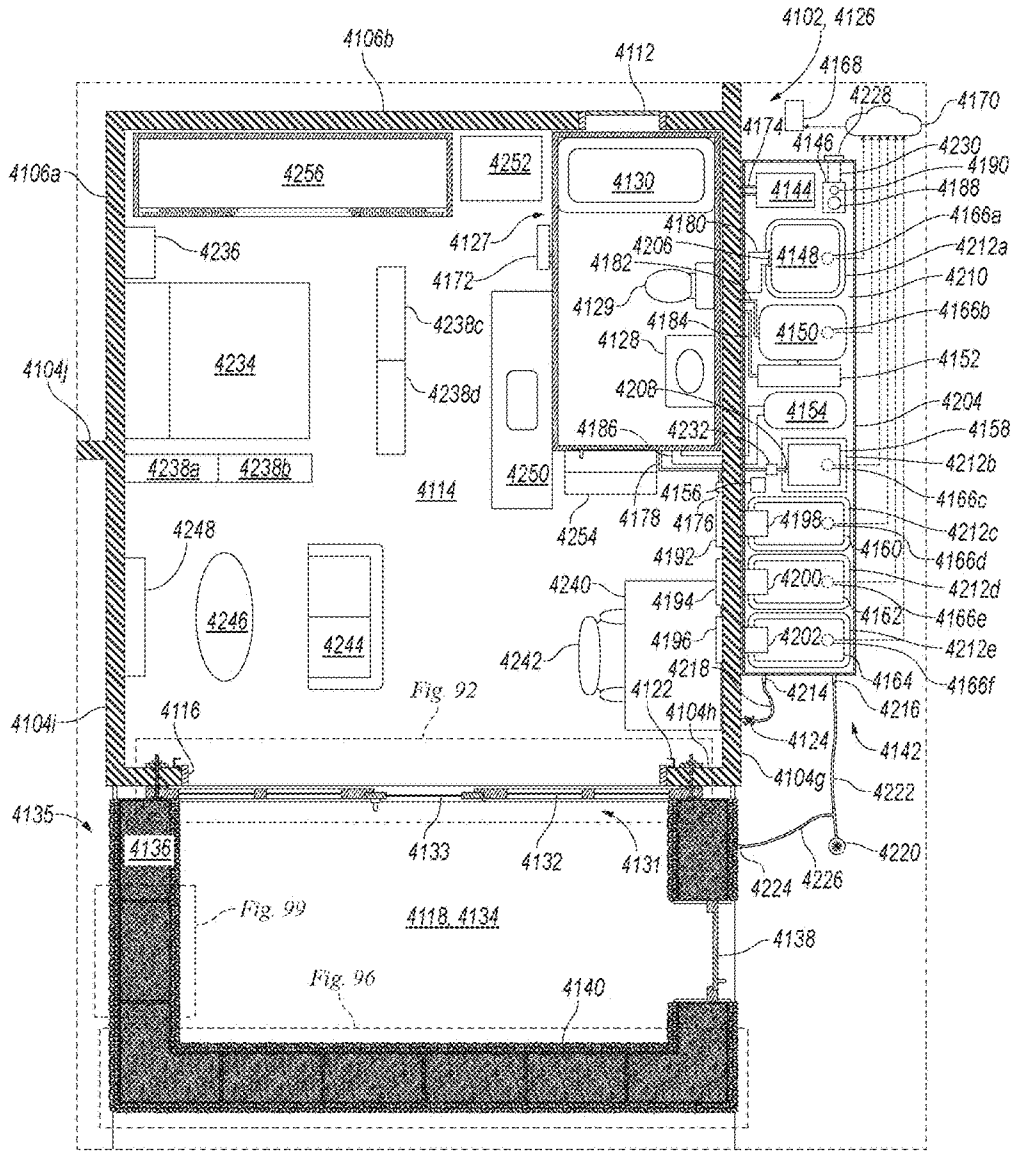
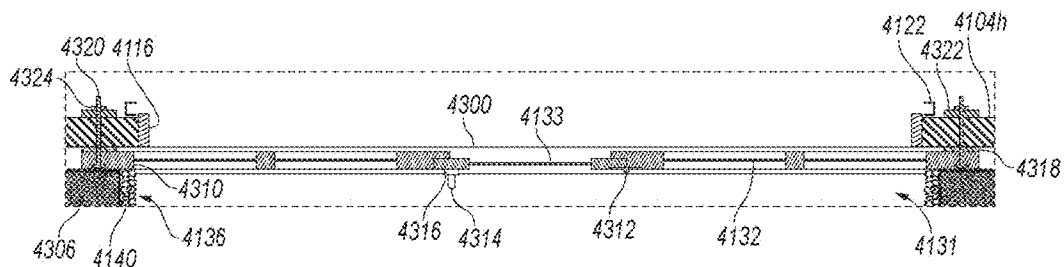
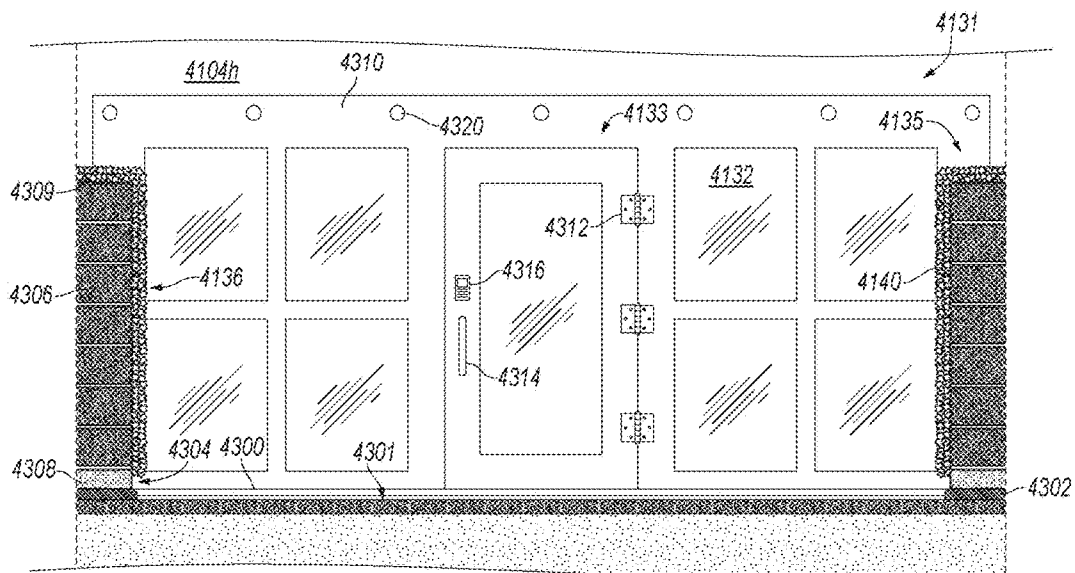


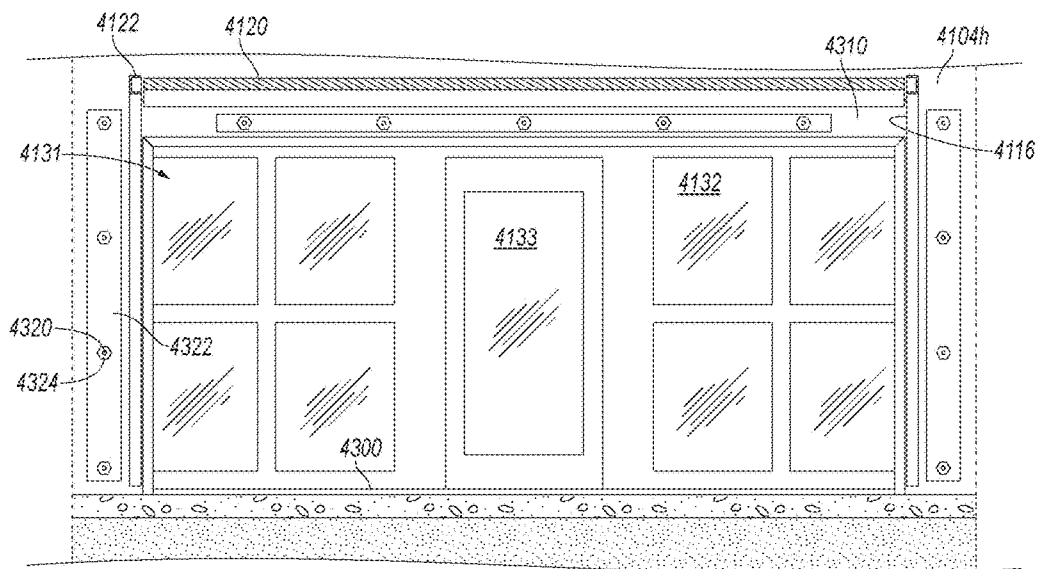
Fig. 91



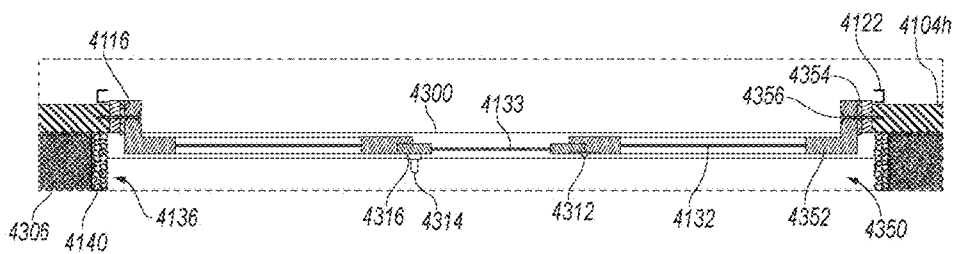
**Fig. 92**



**Fig. 93**



**Fig. 94**



**Fig. 95**

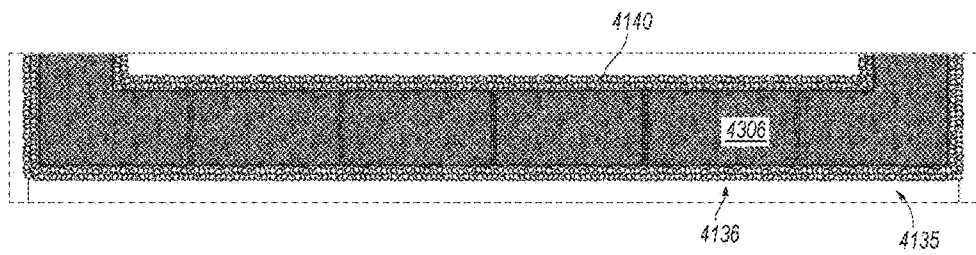


Fig. 96

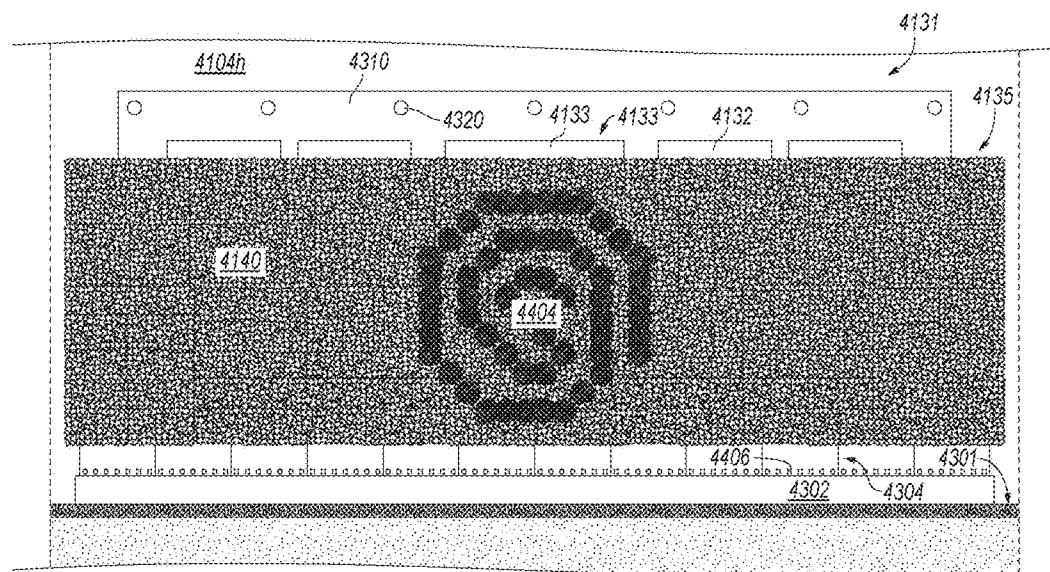


Fig. 97

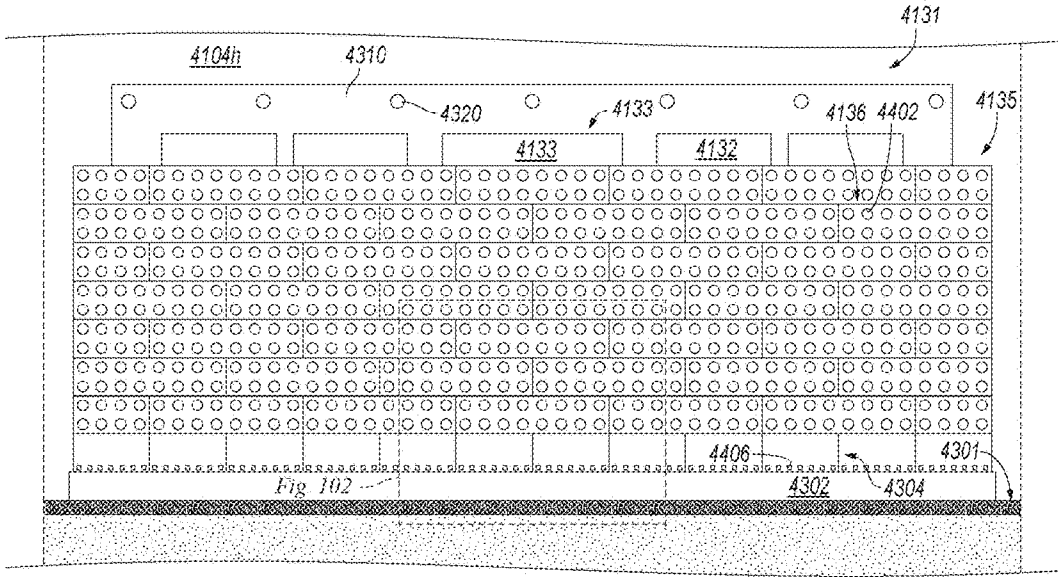


Fig. 98

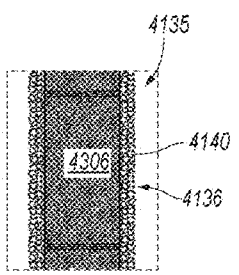


Fig. 99

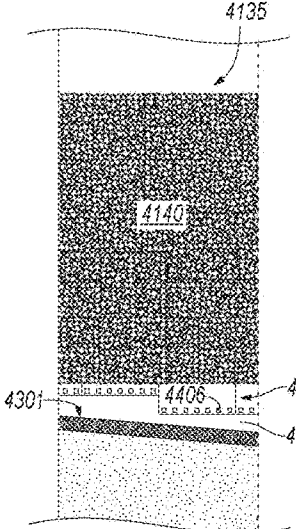


Fig. 100

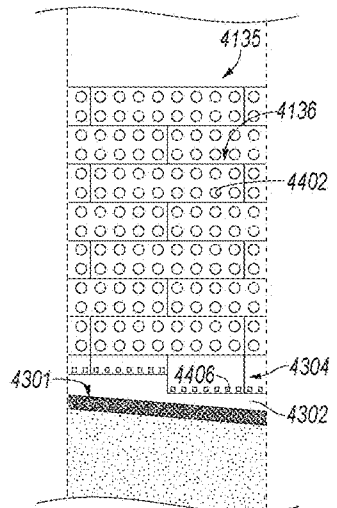


Fig. 101



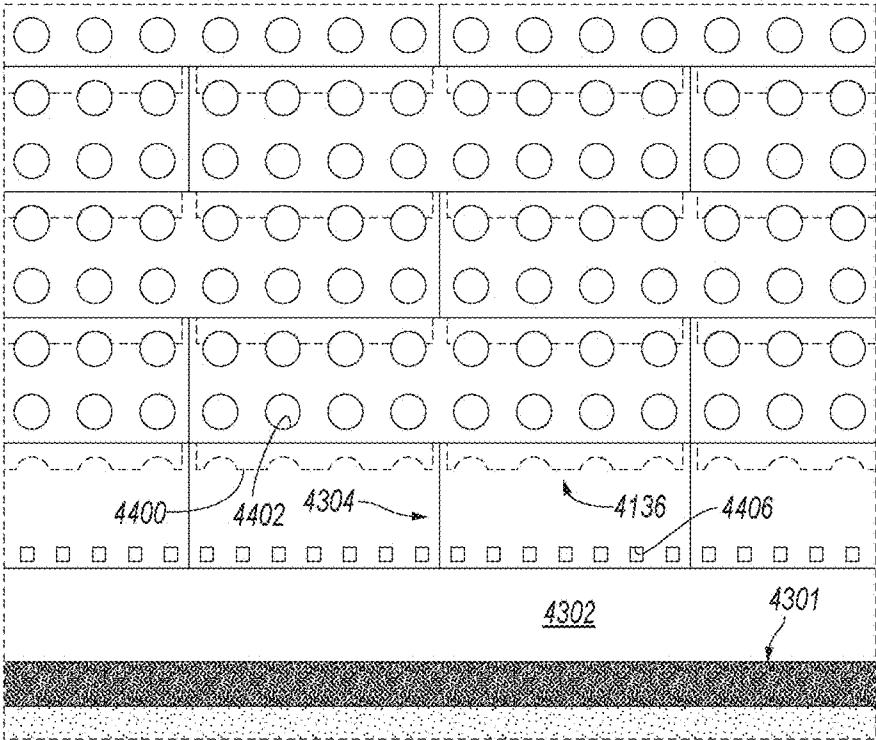


Fig. 102

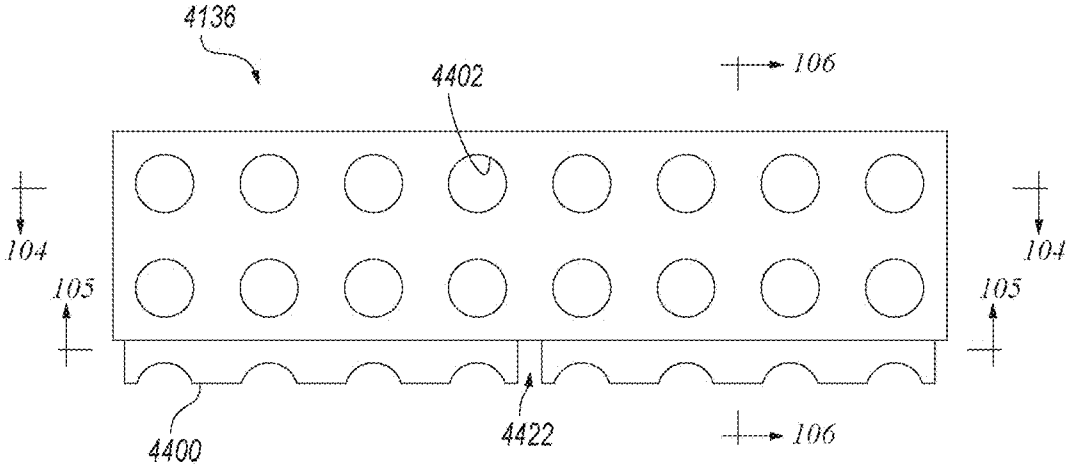
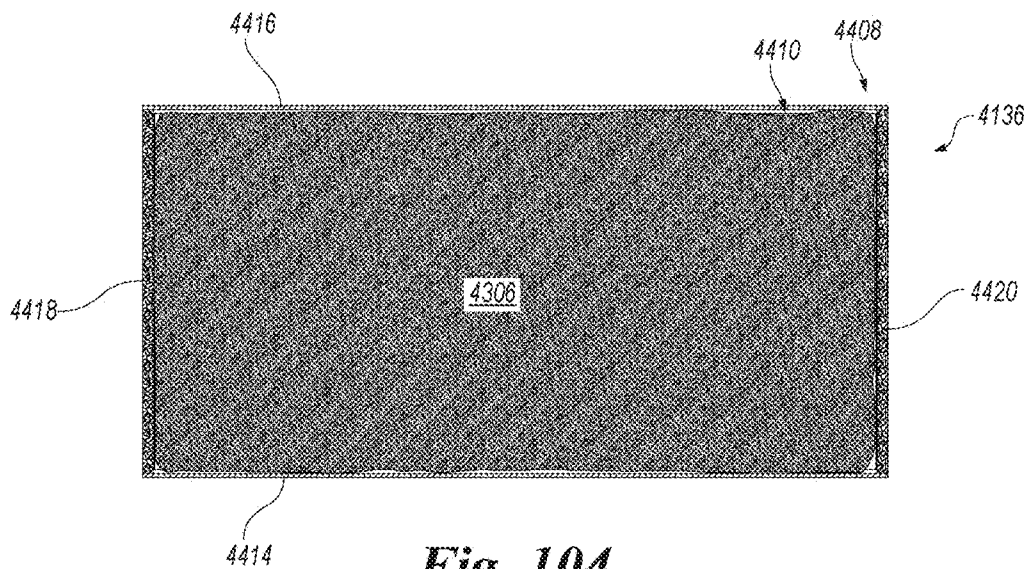
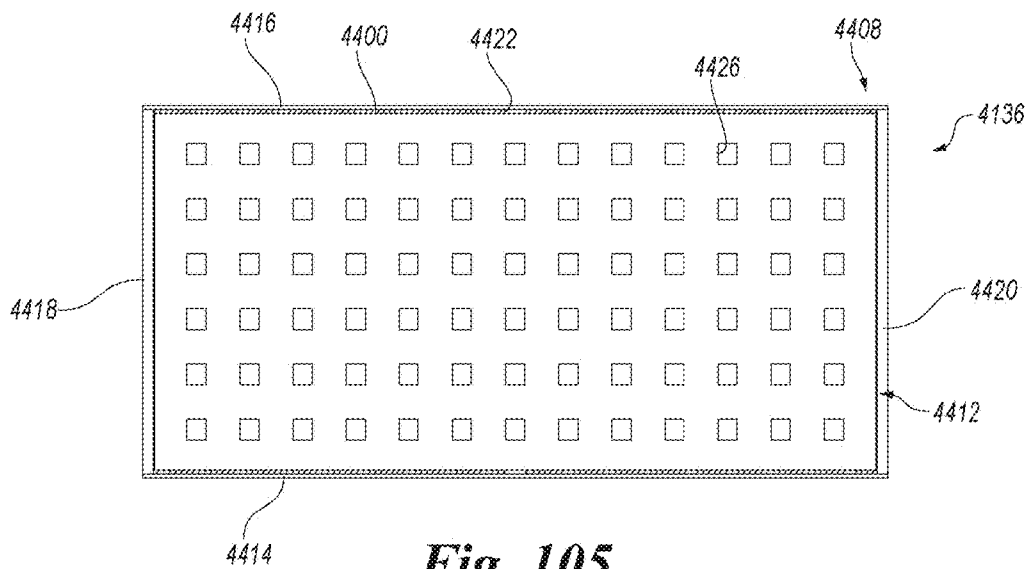


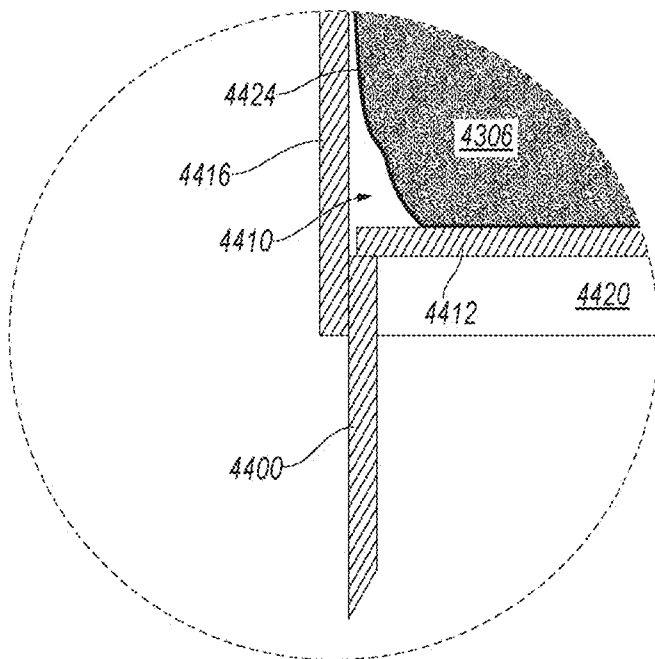
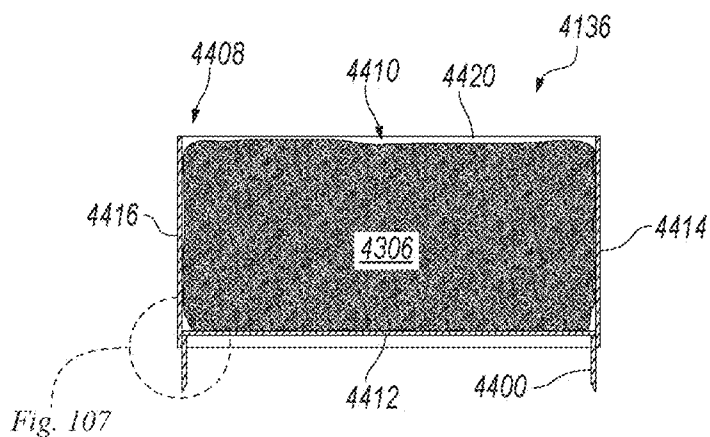
Fig. 103

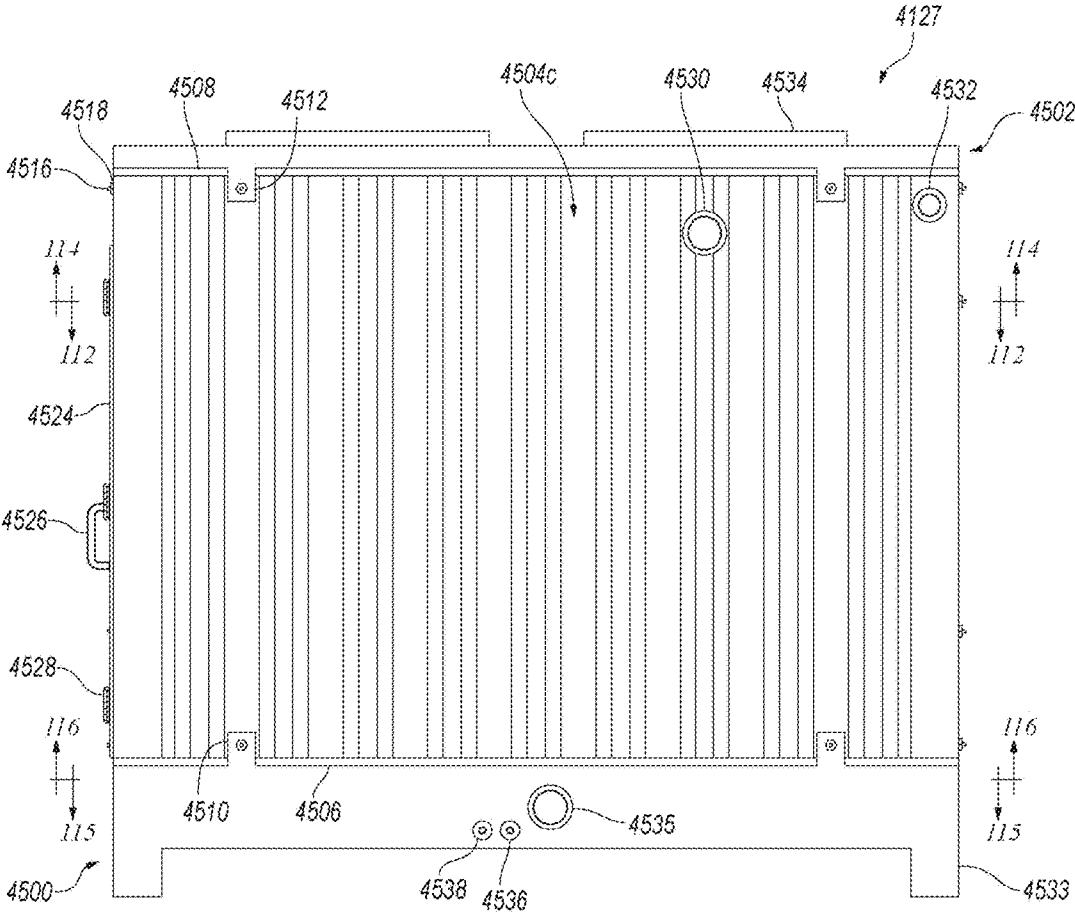


**Fig. 104**

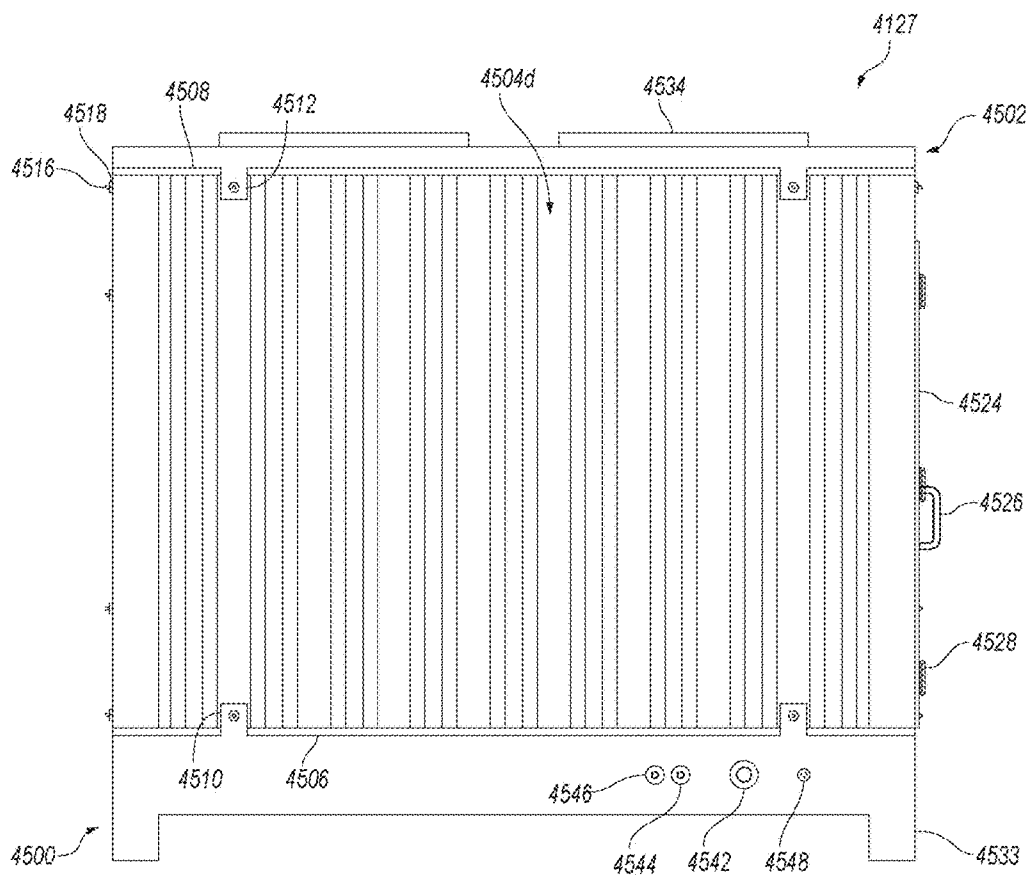


**Fig. 105**

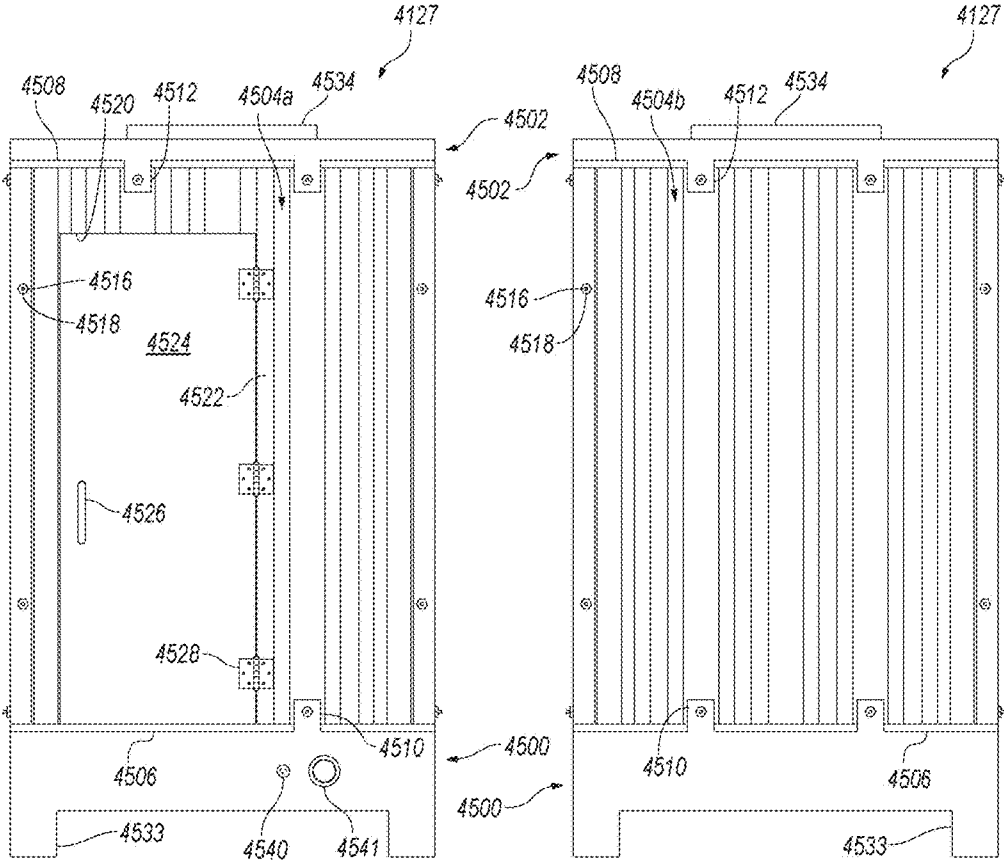




**Fig. 108**

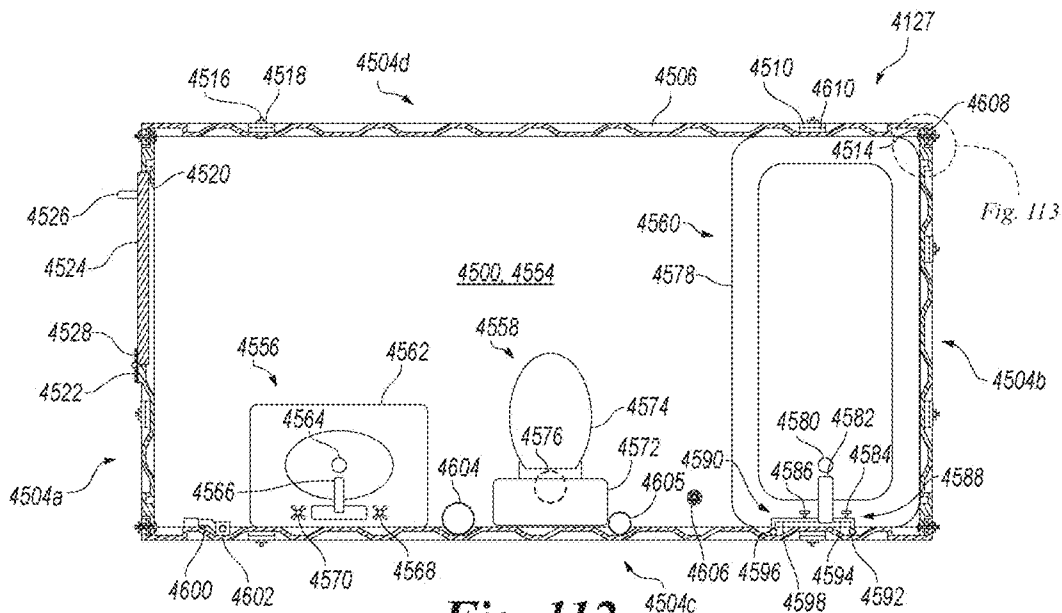


**Fig. 109**

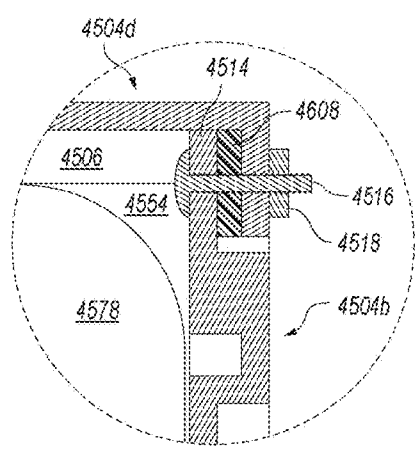


**Fig. 110**

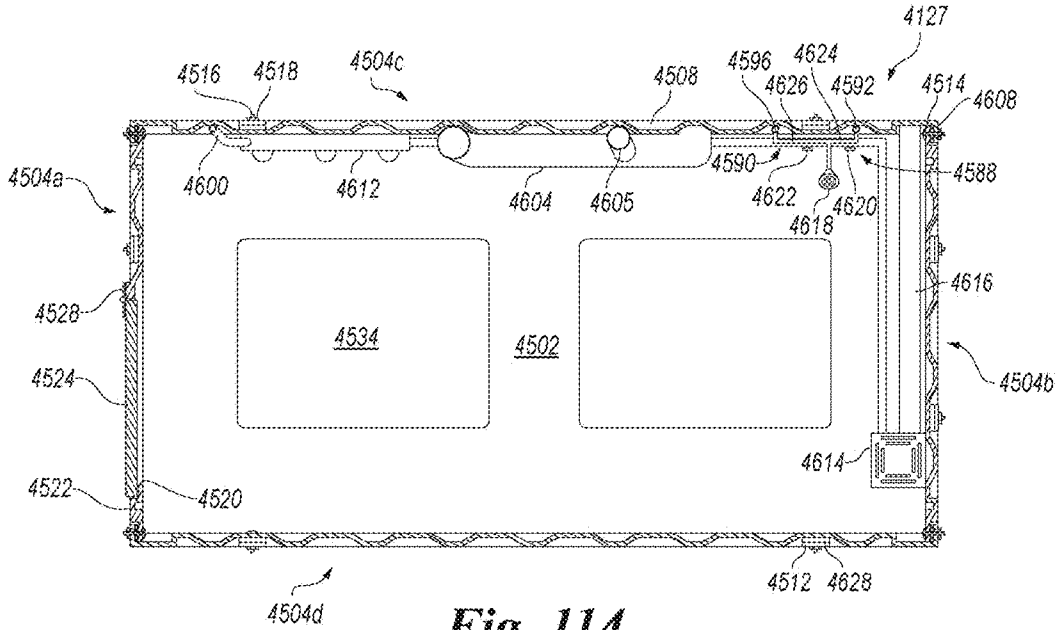
**Fig. 111**



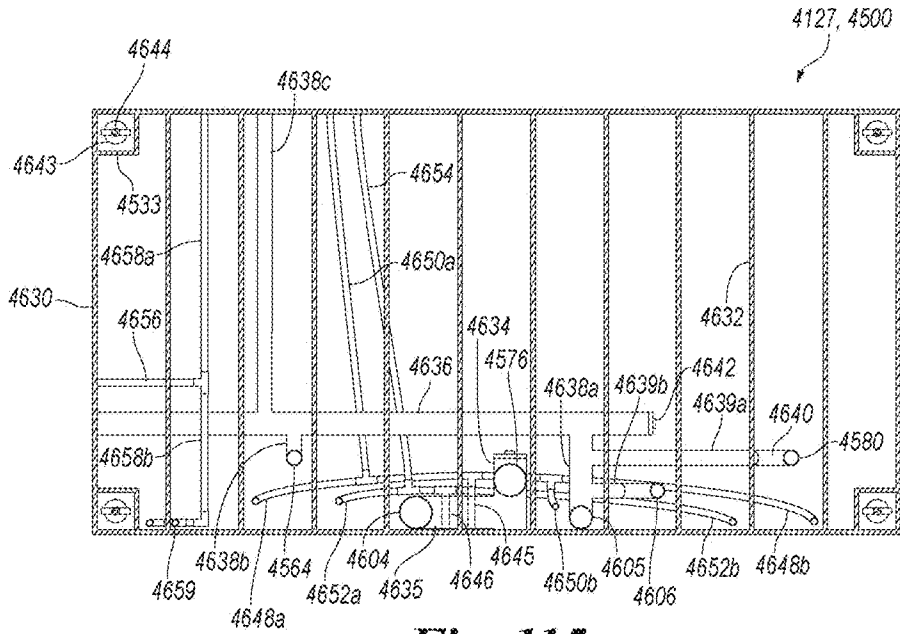
**Fig. 112**



**Fig. 113**

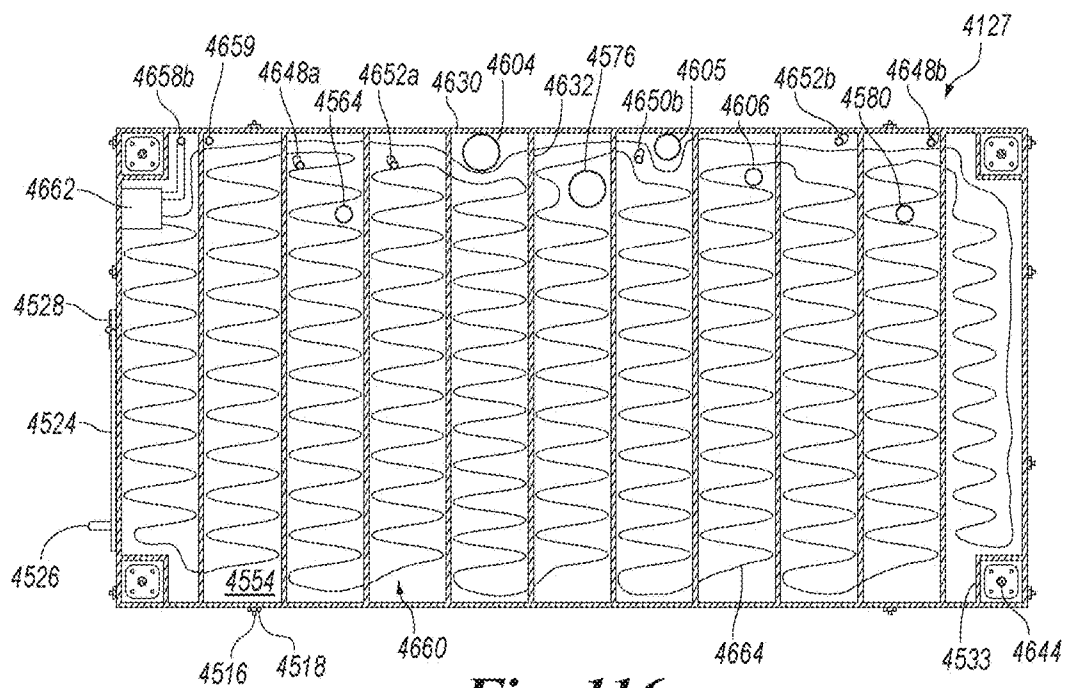


**Fig. 114**



**Fig. 115**





**Fig. 116**

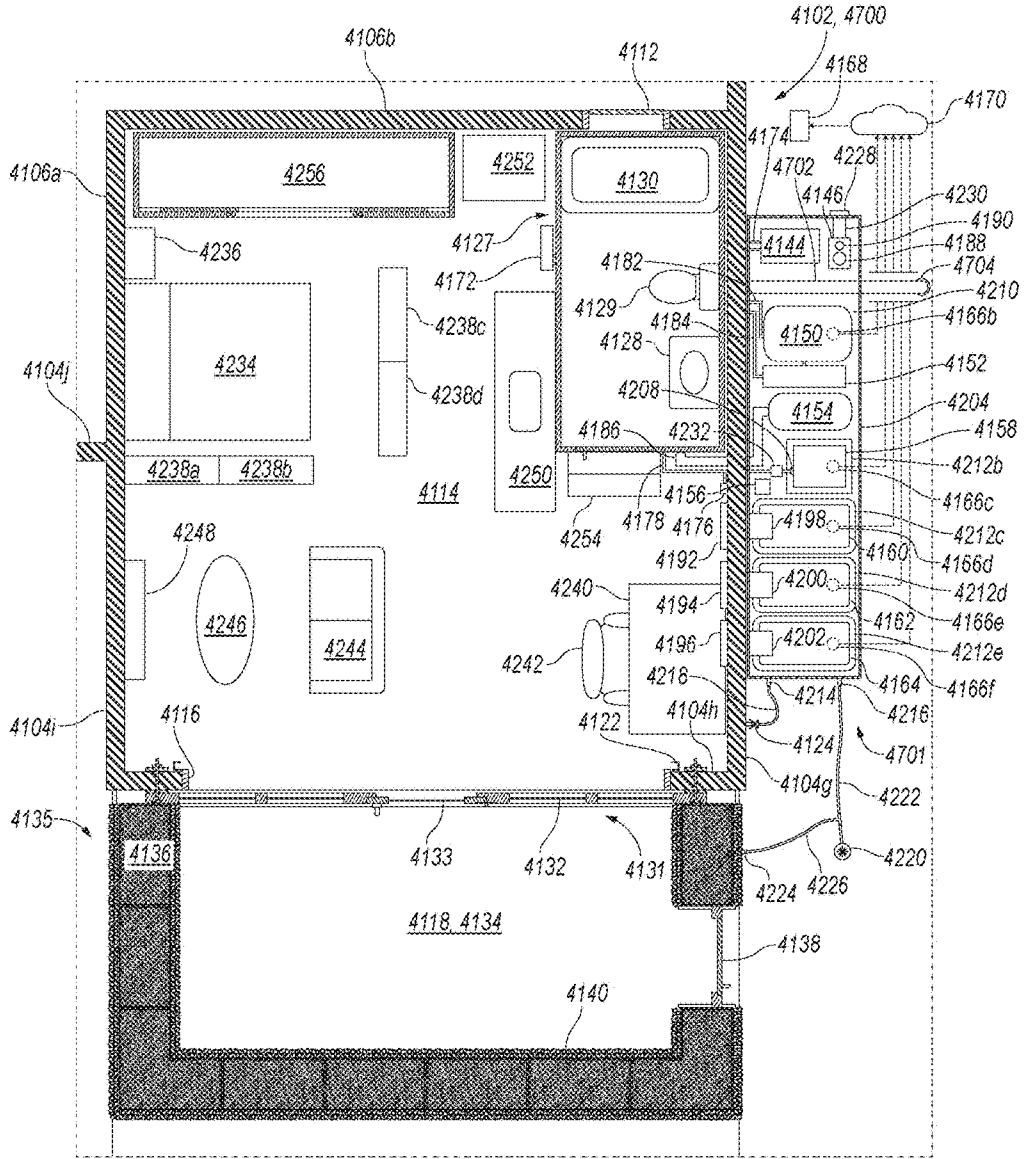


Fig. 117

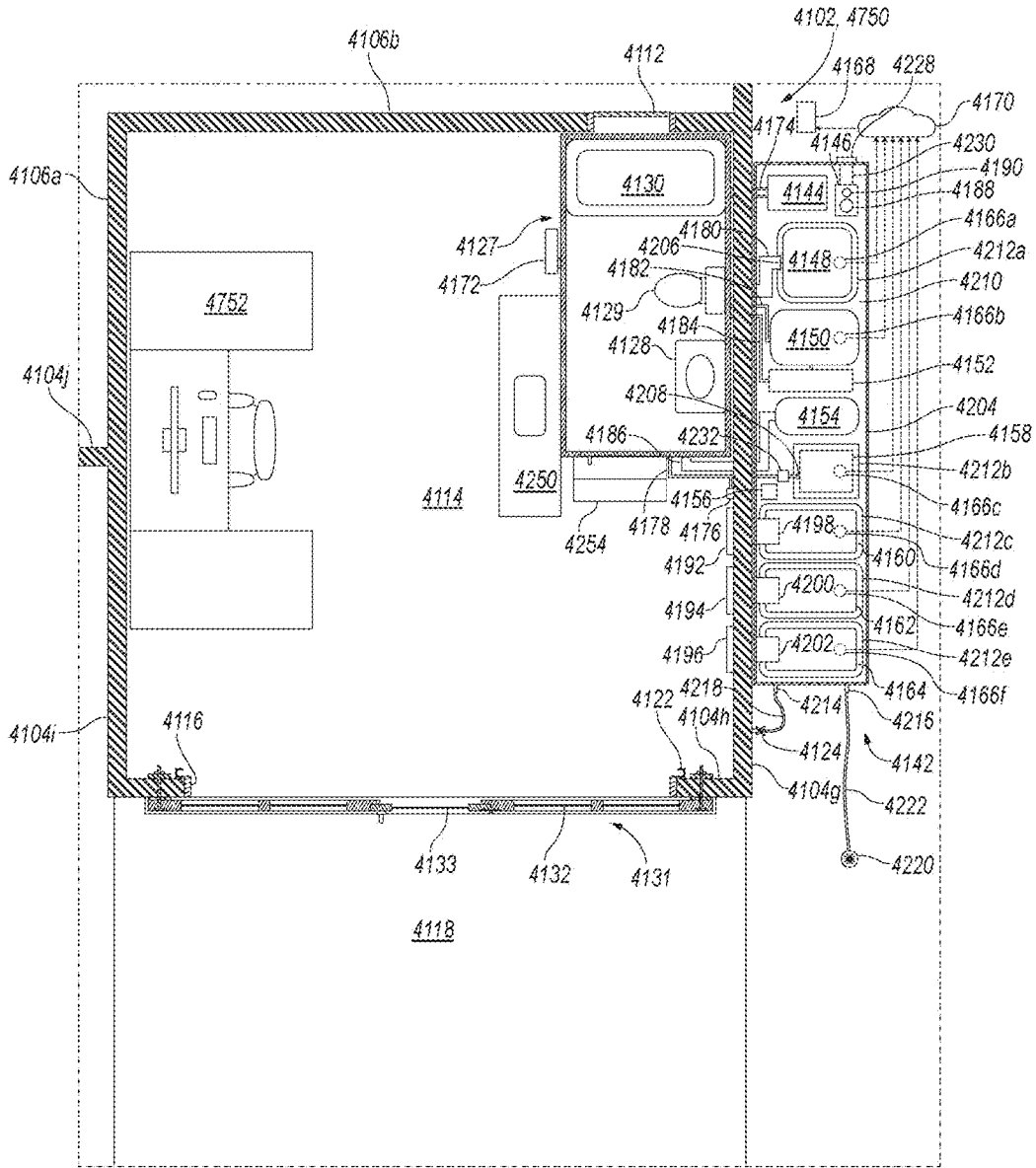


Fig. 118

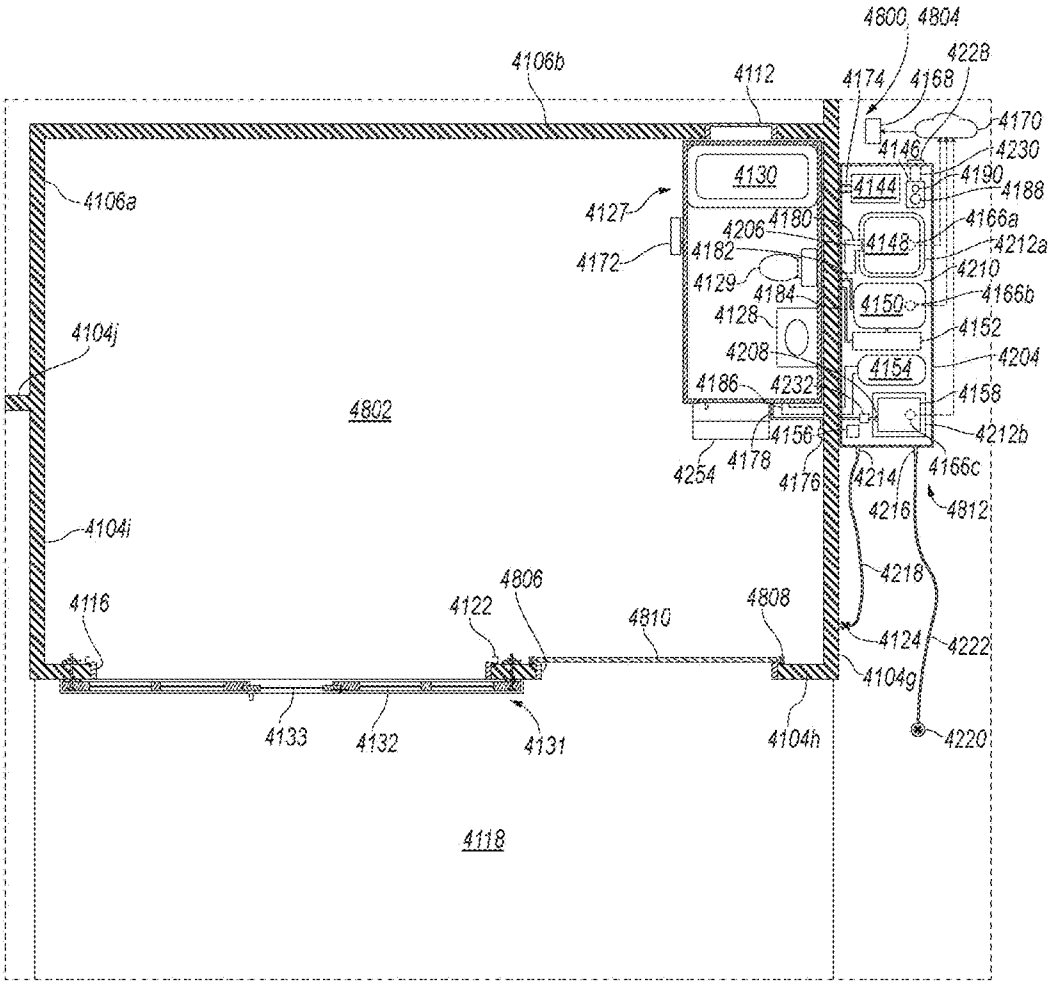


Fig. 119

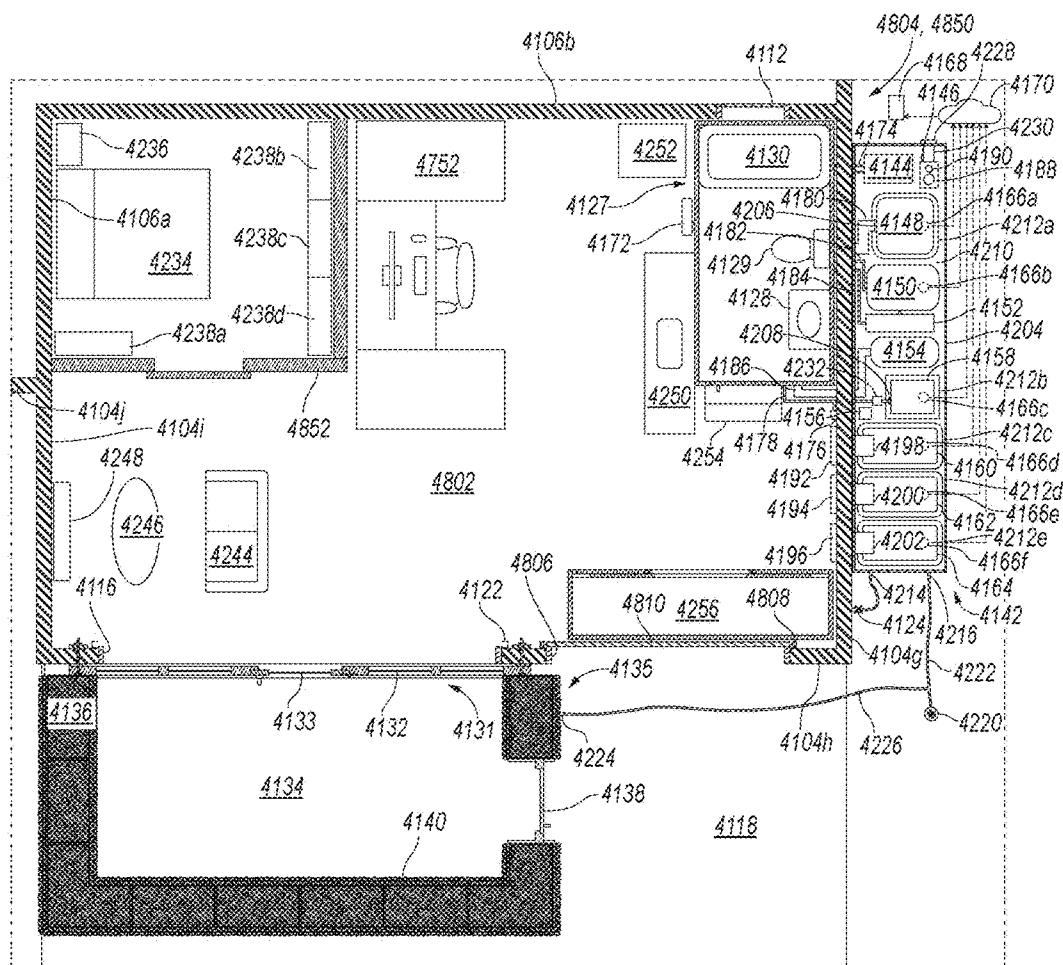


Fig. 120

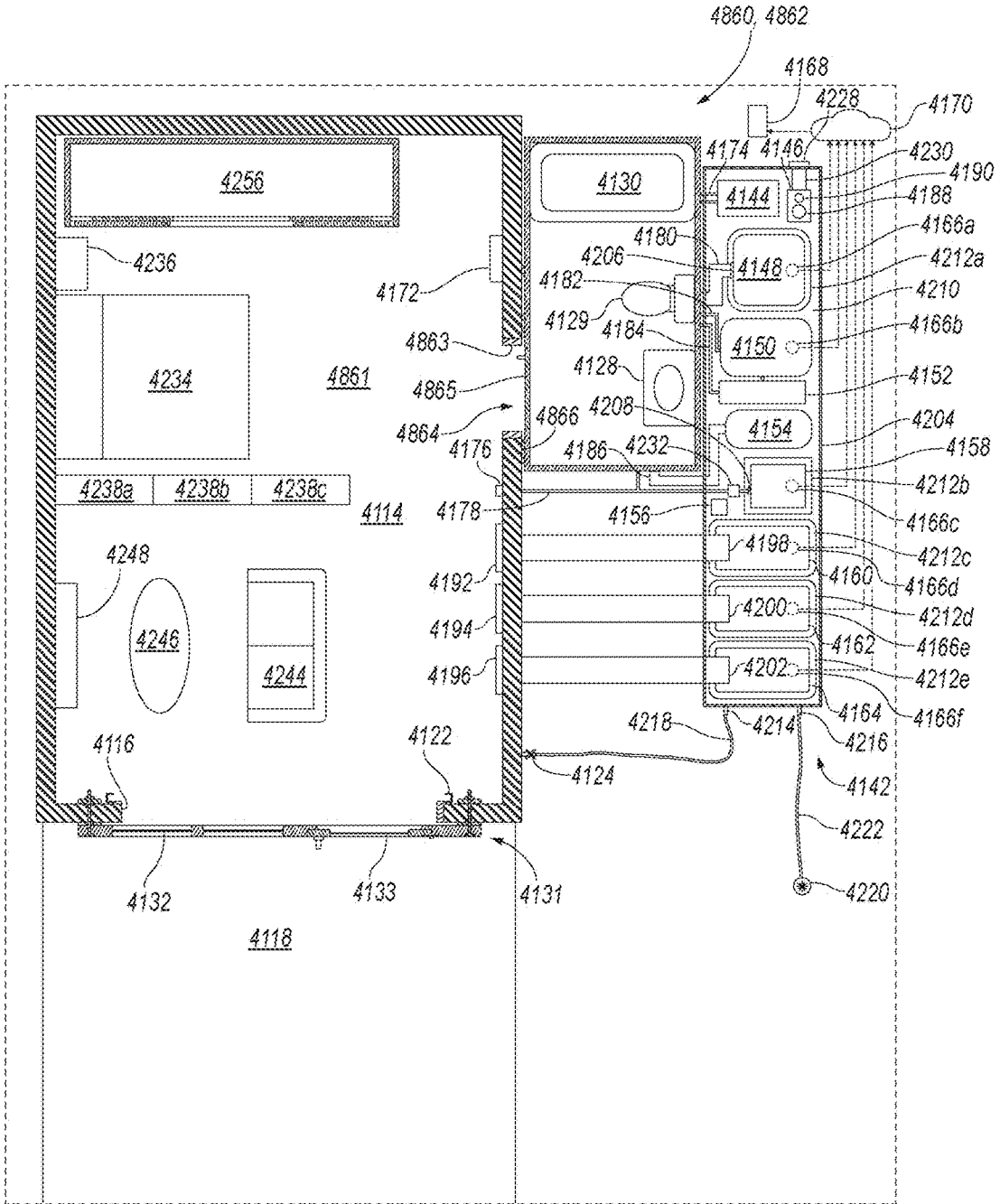
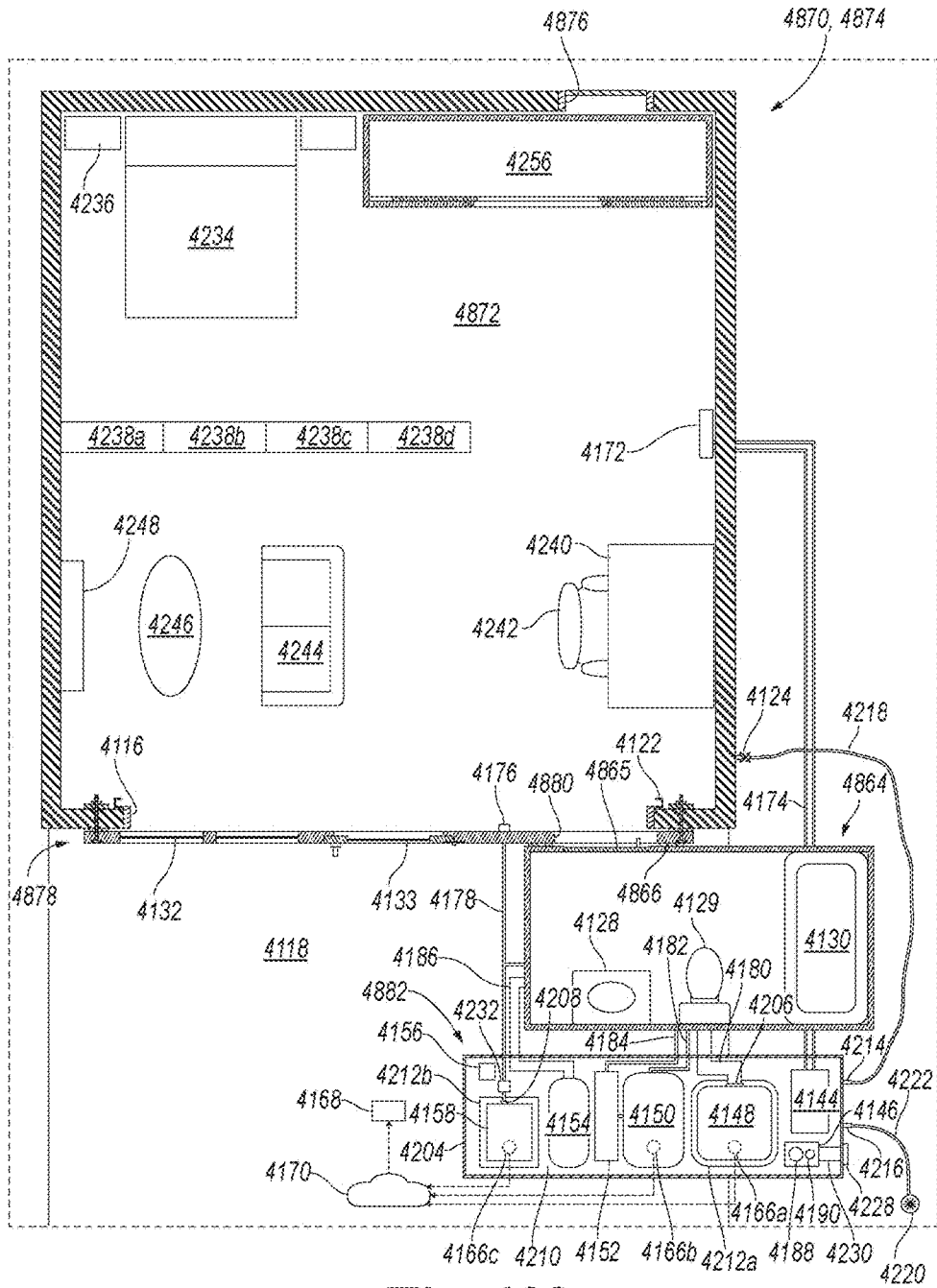
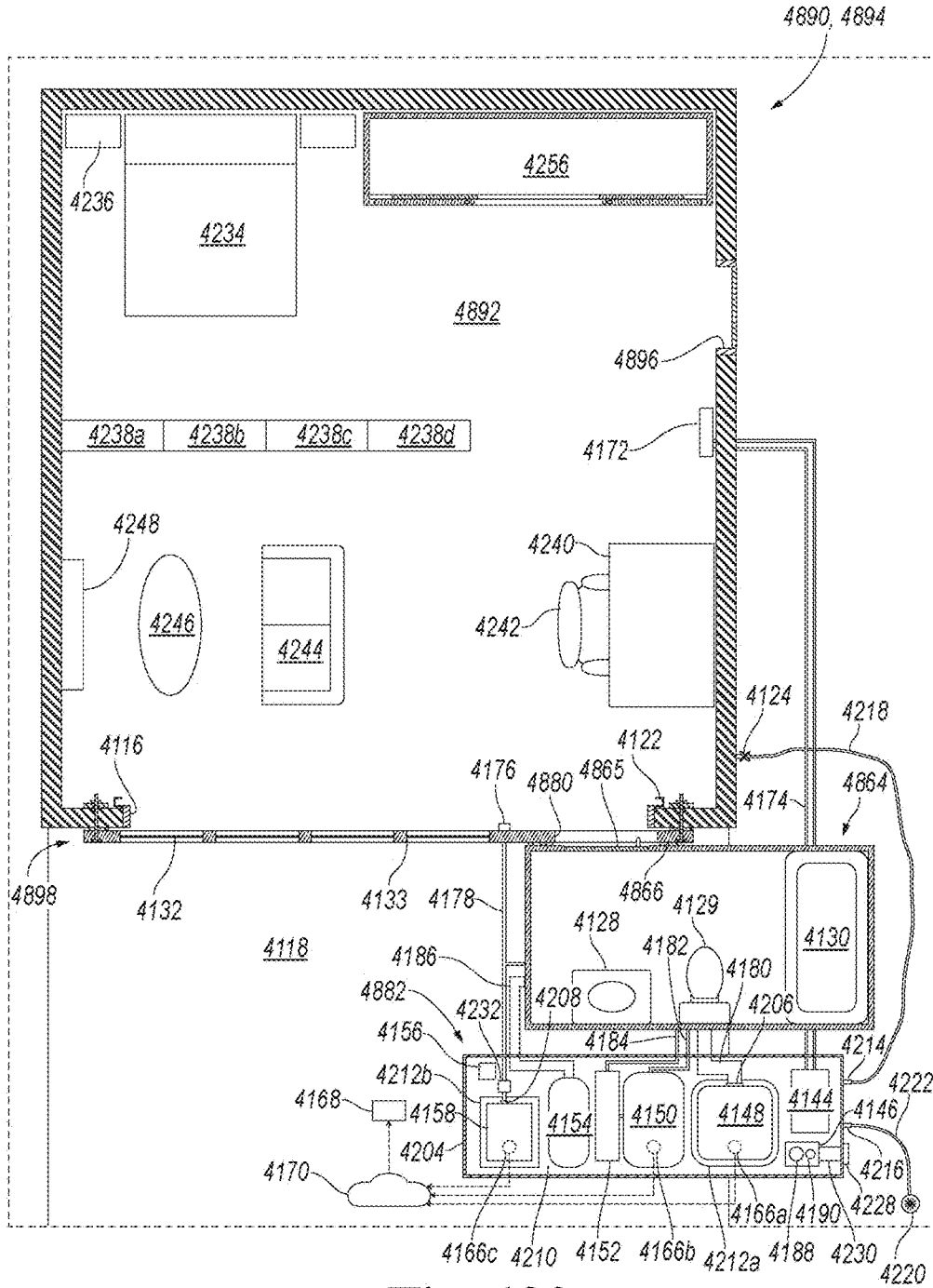


Fig. 121

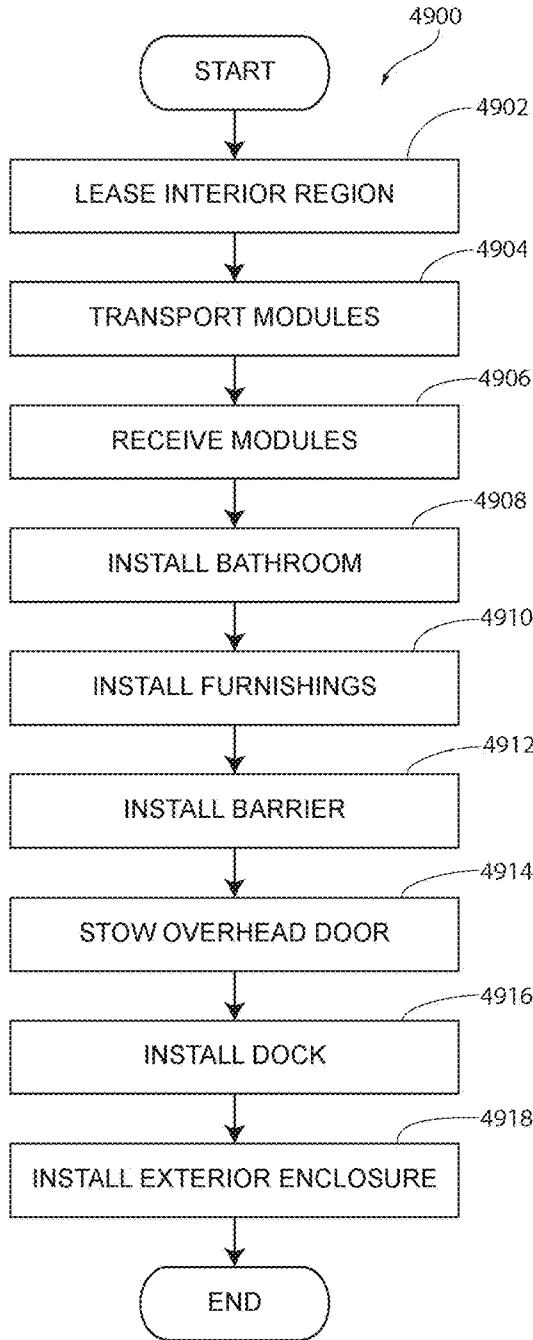


**Fig. 122**

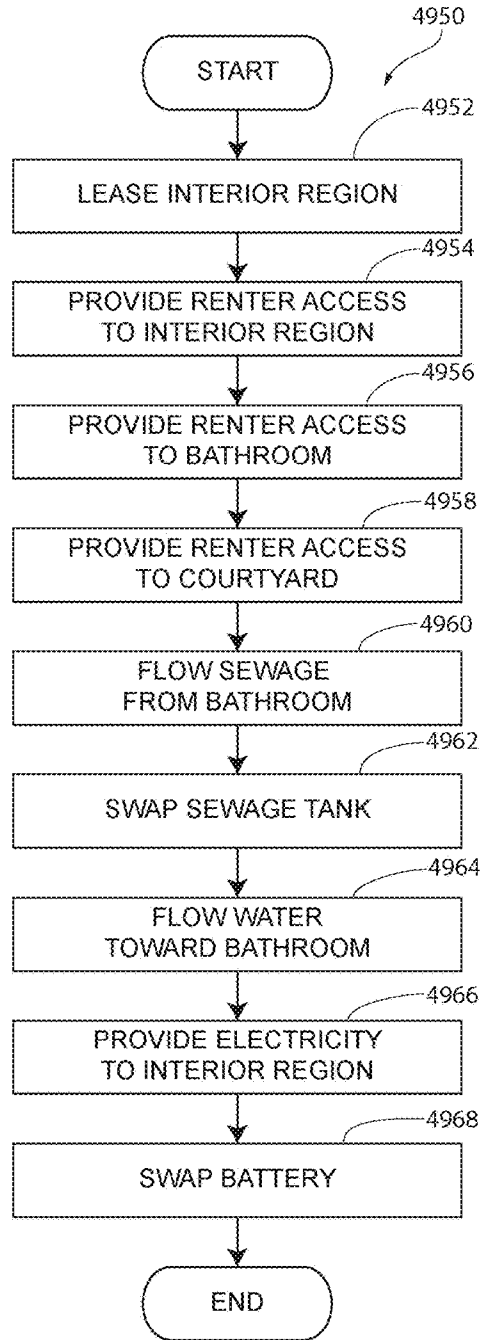


**Fig. 123**

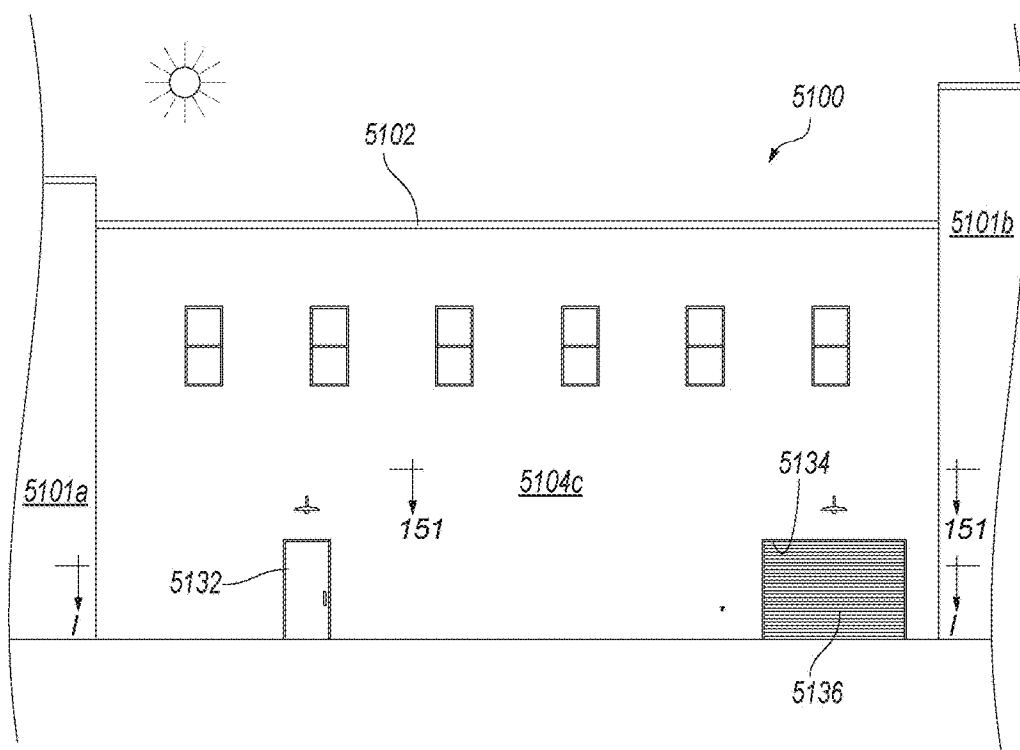




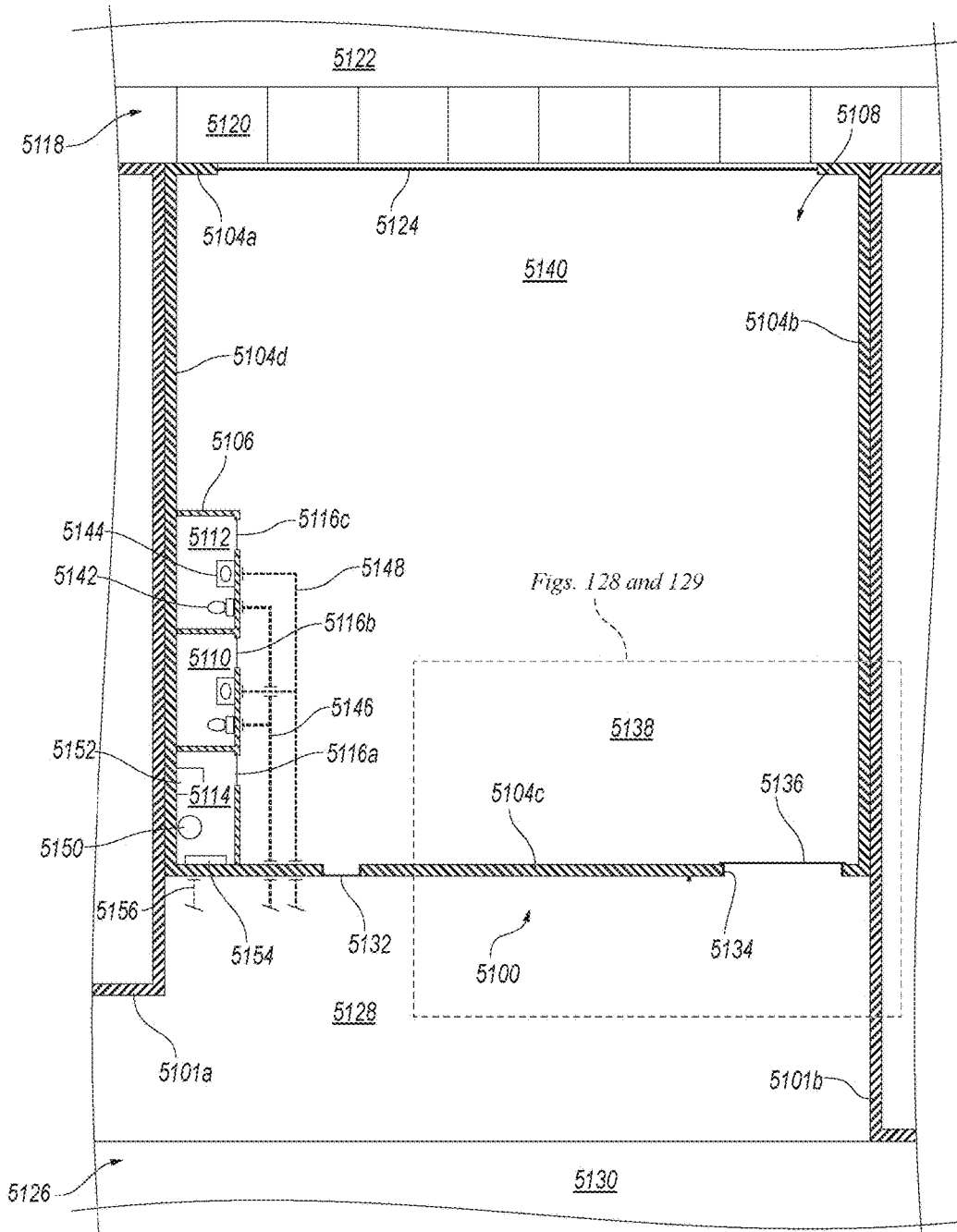
*Fig. 124*



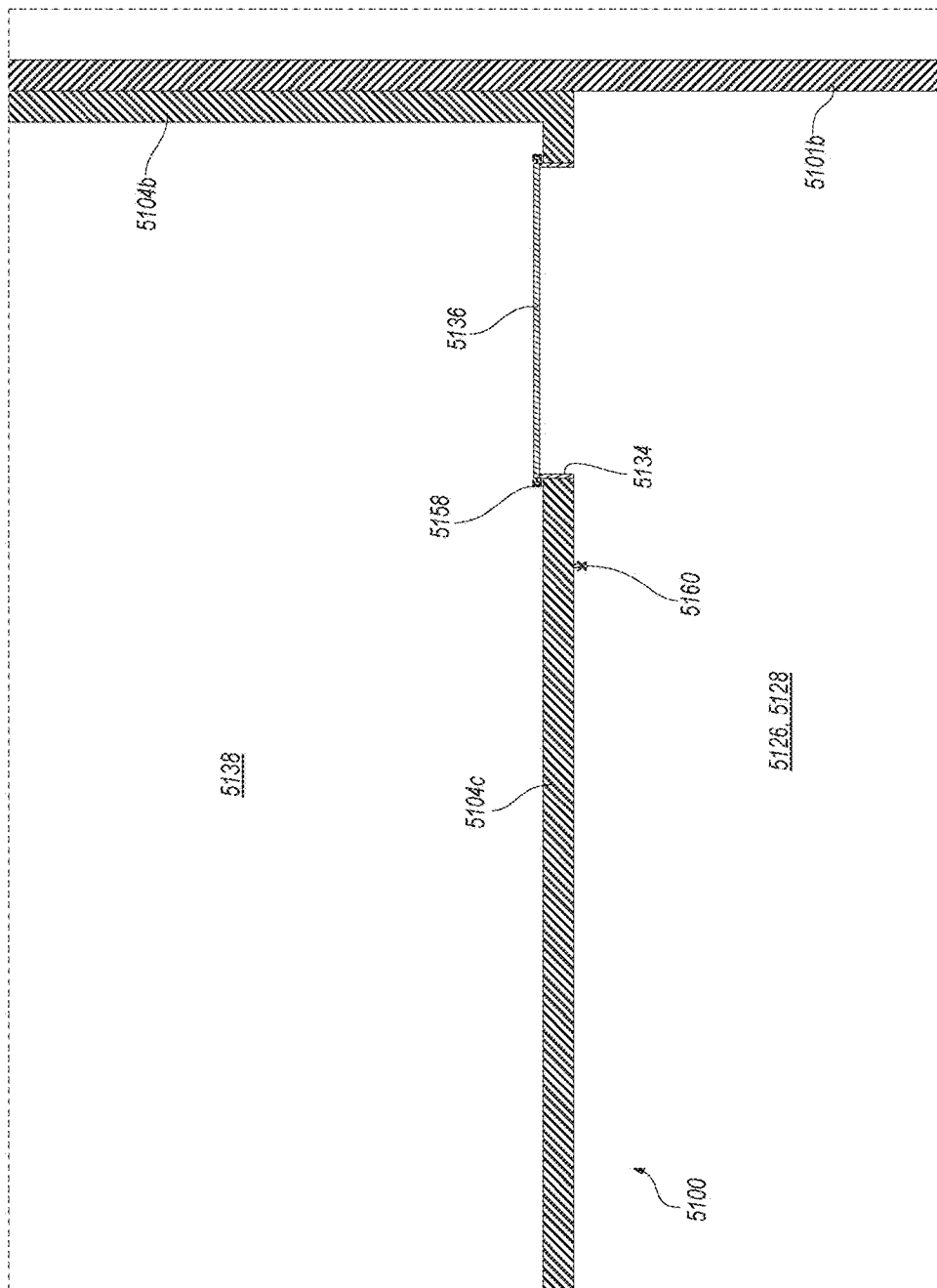
*Fig. 125*



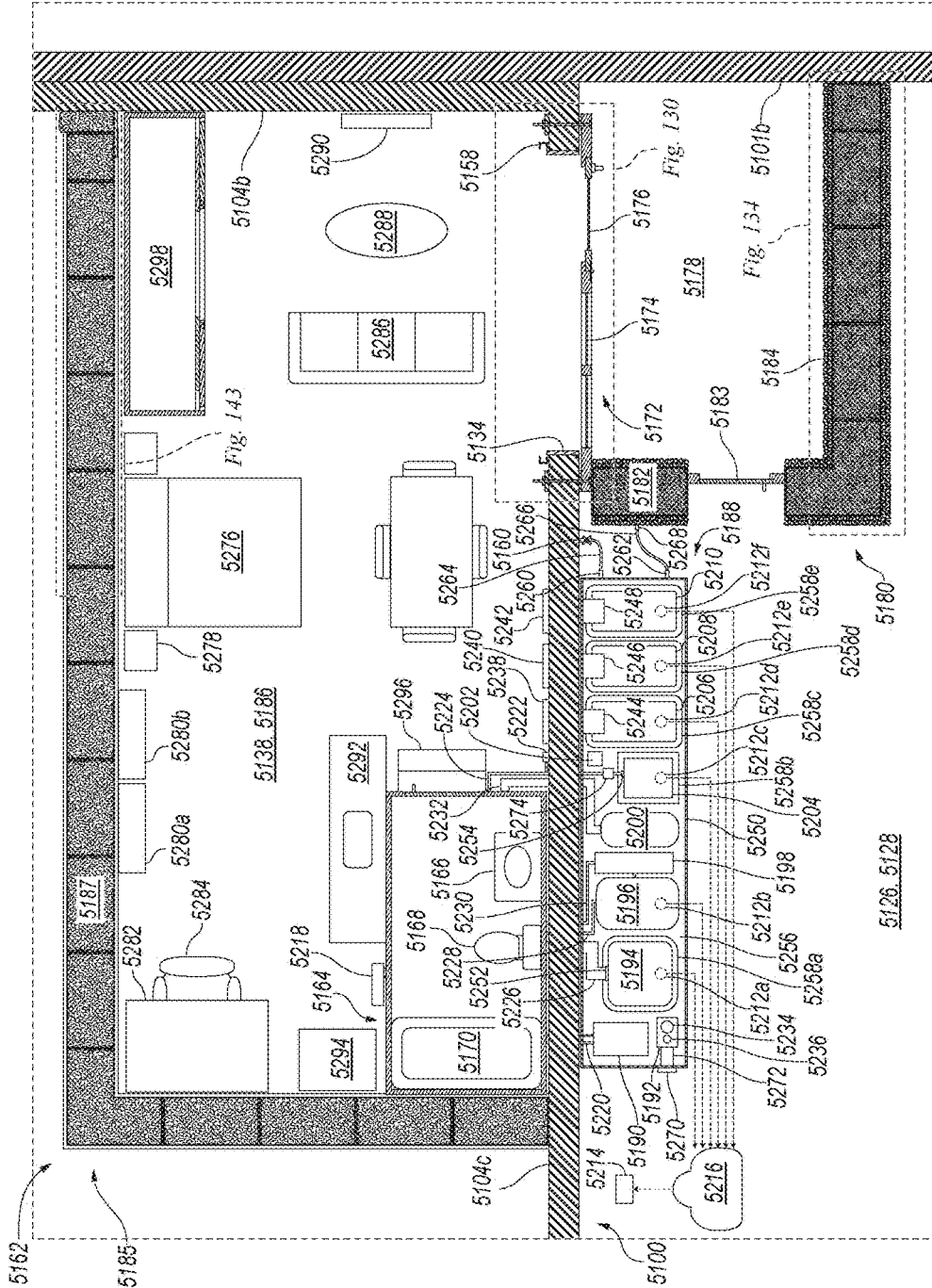
*Fig. 126 (prior art)*



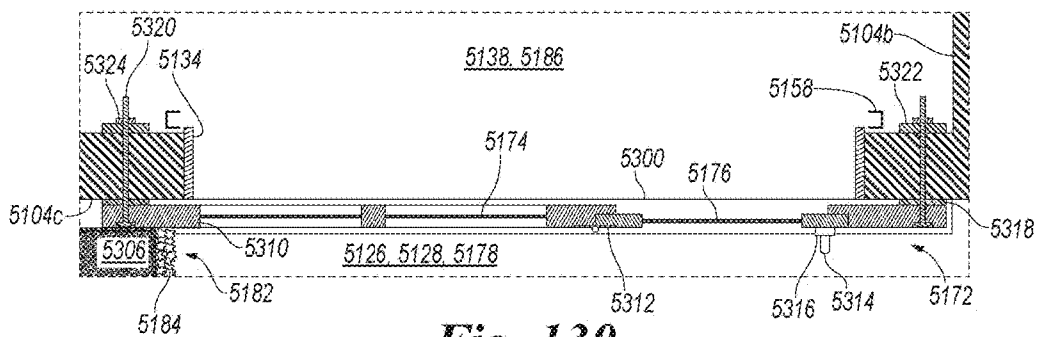
**Fig. 127 (prior art)**



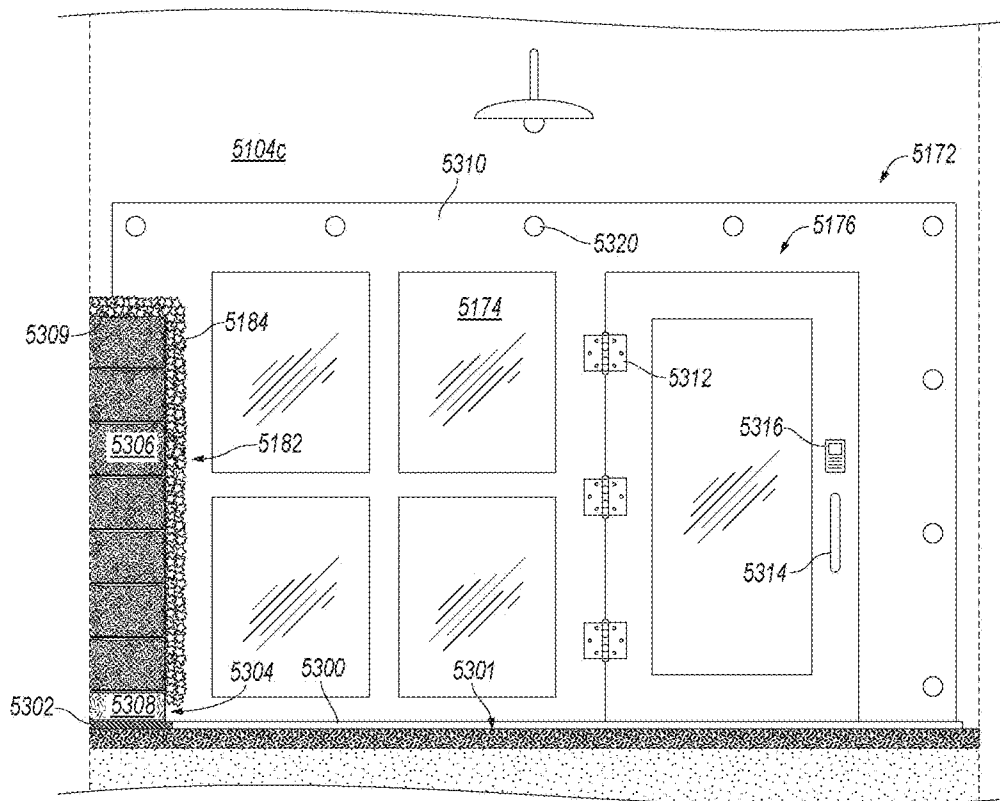
*Fig. 128 (prior art)*



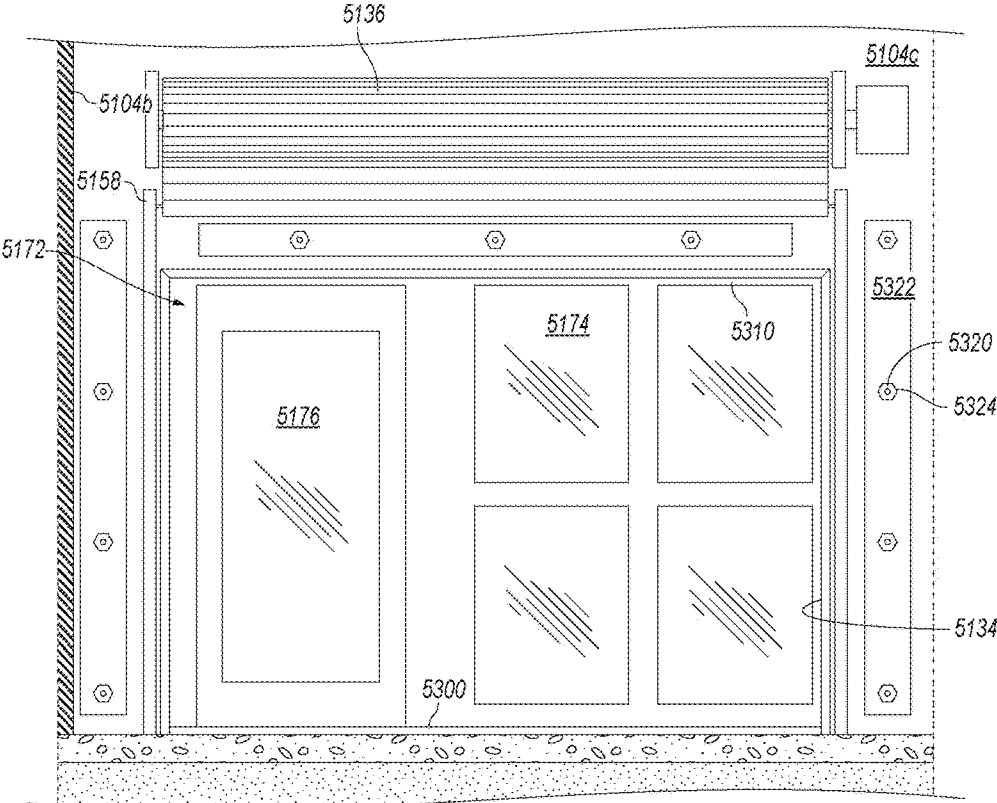
**Fig. 129**



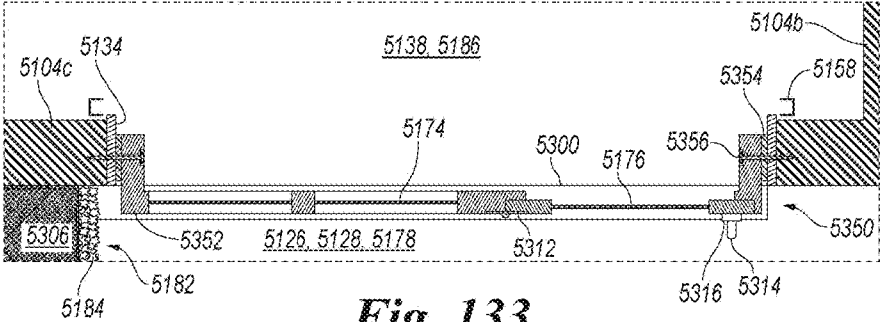
**Fig. 130**



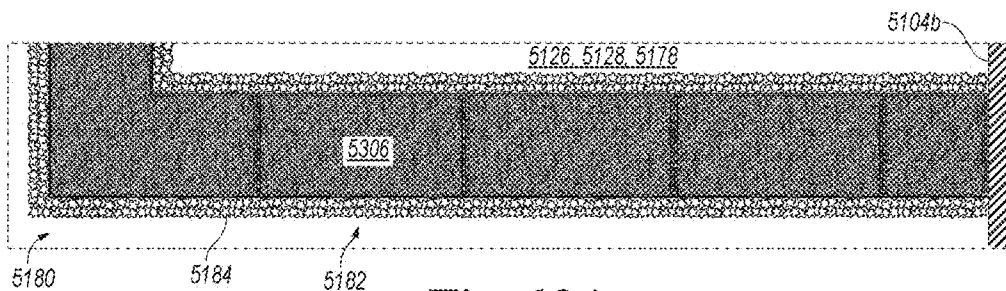
**Fig. 131**



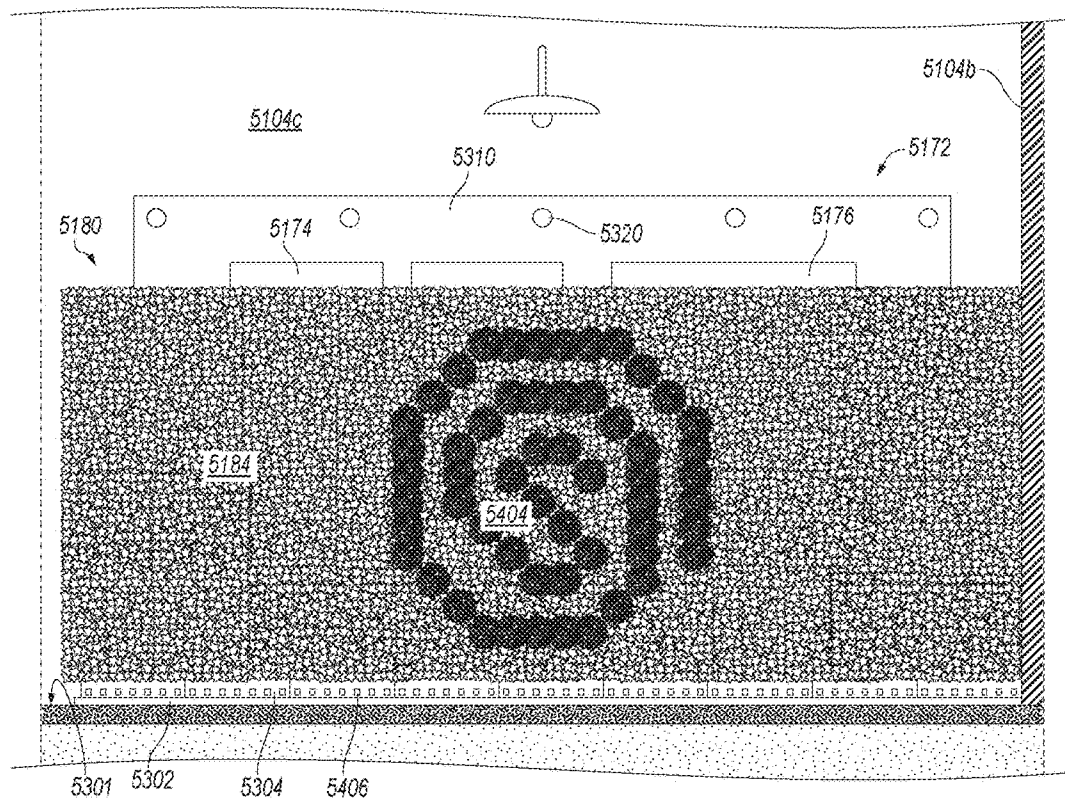
**Fig. 132**



**Fig. 133**

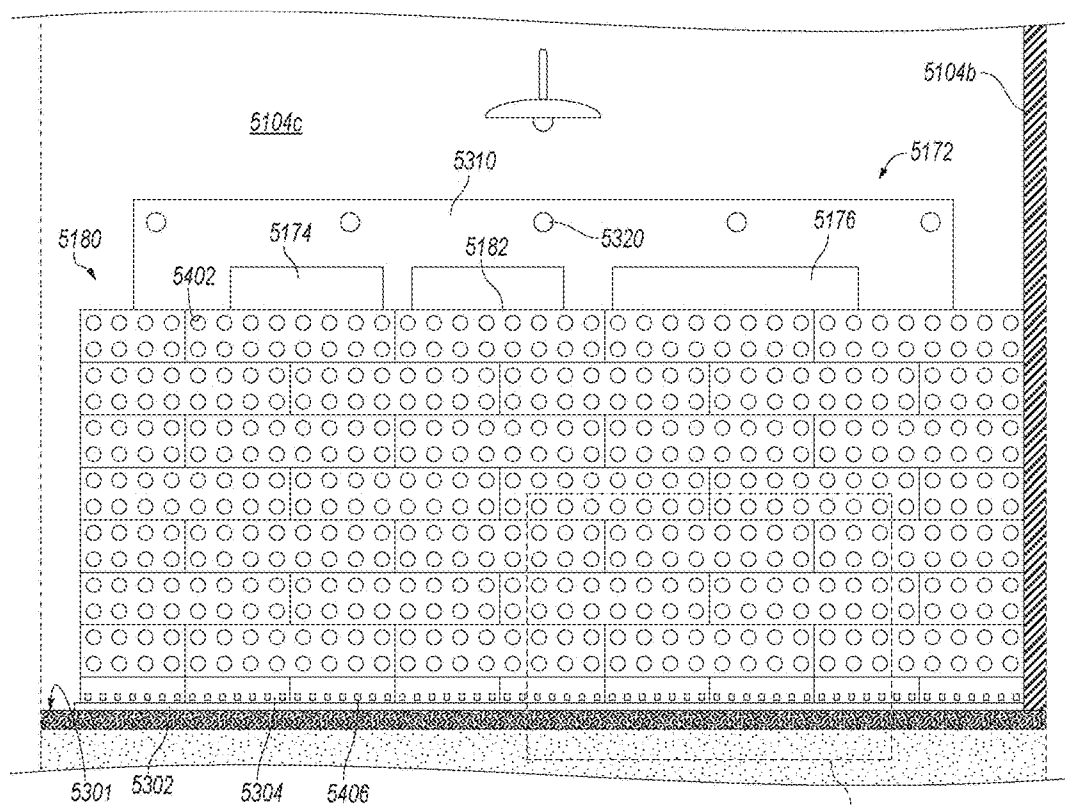


*Fig. 134*



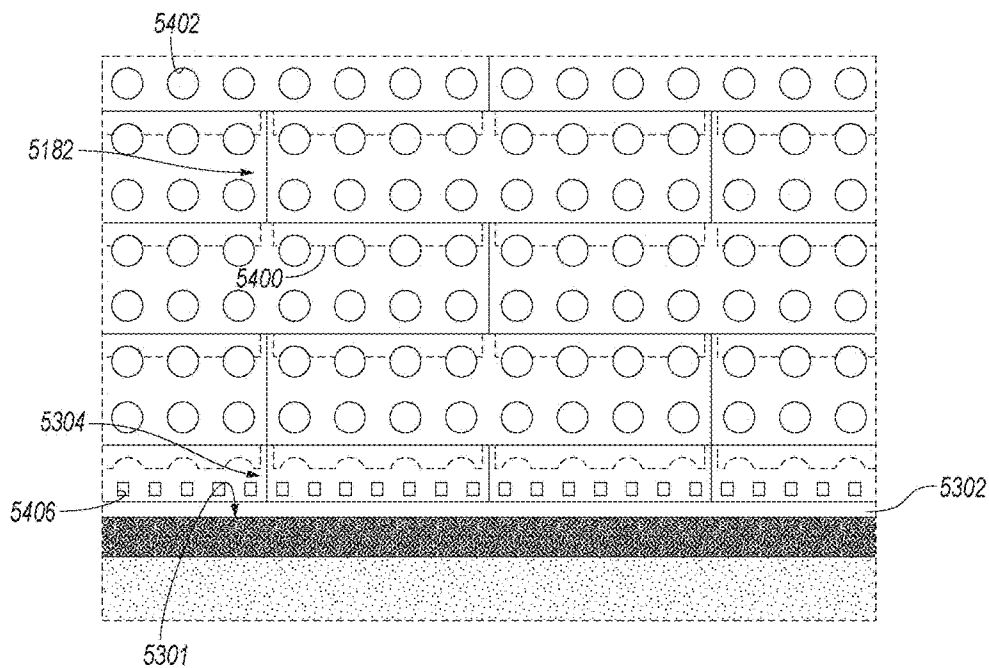
*Fig. 135*



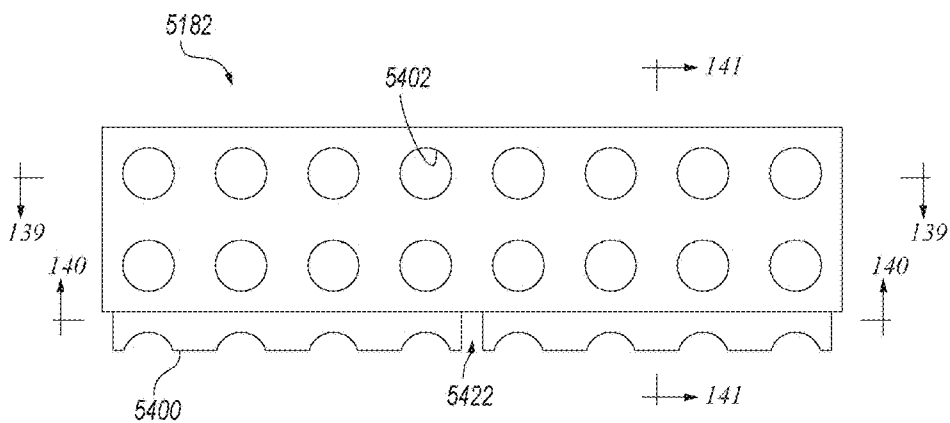


**Fig. 136**

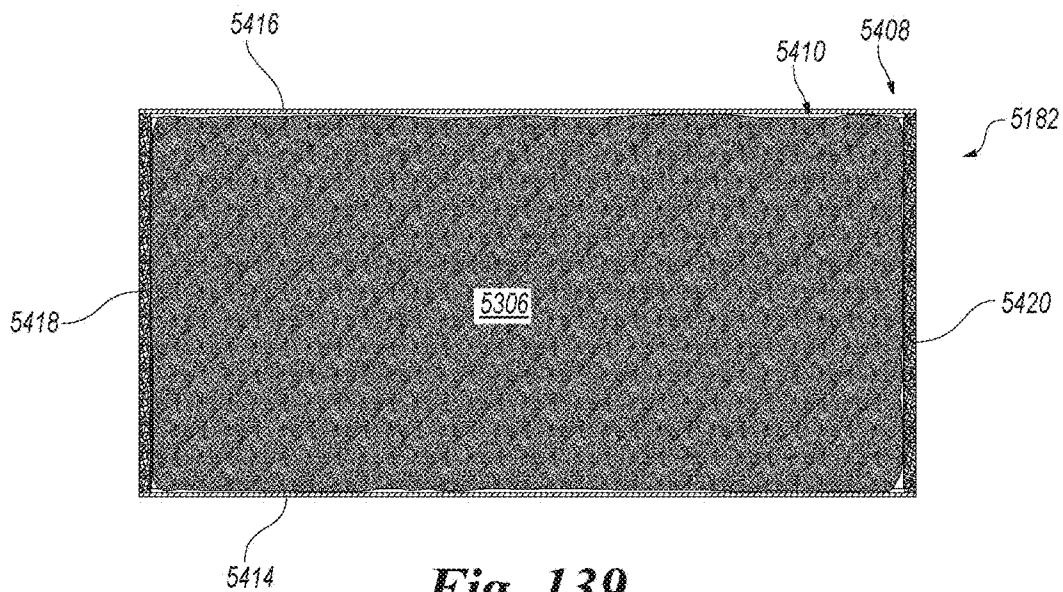
Fig. 137



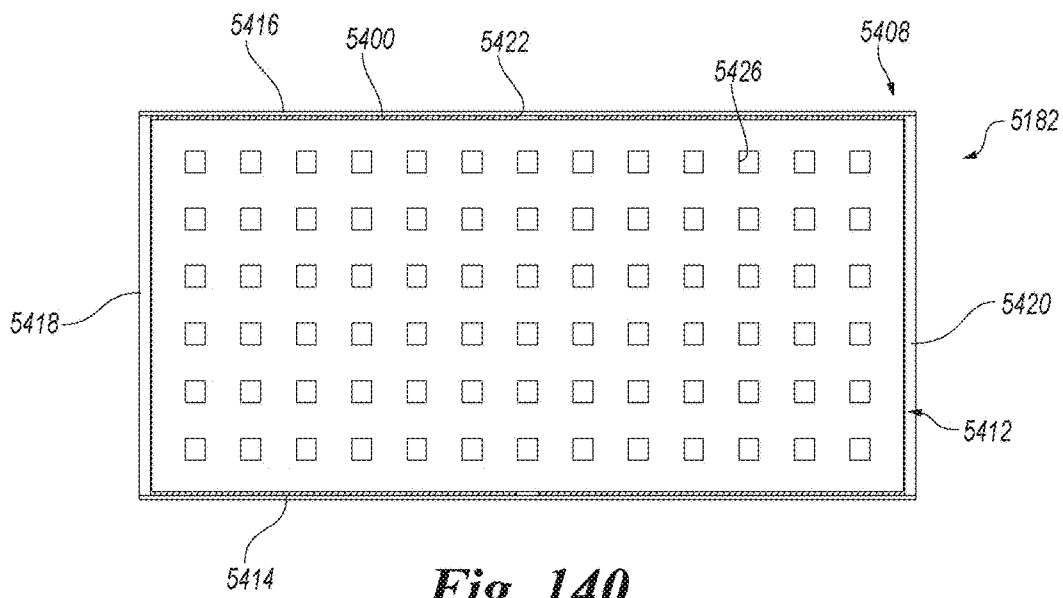
**Fig. 137**



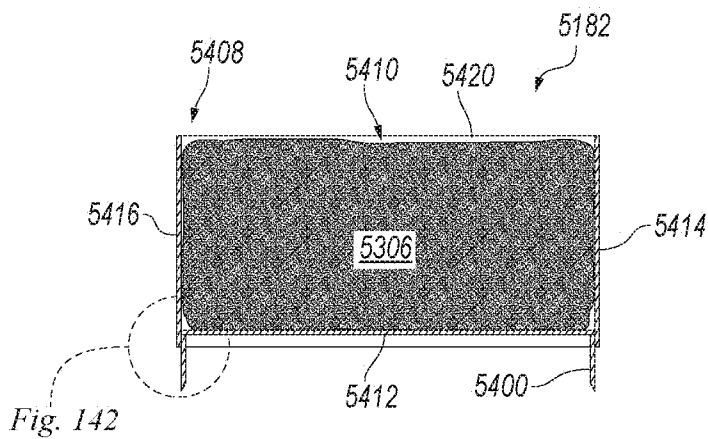
**Fig. 138**



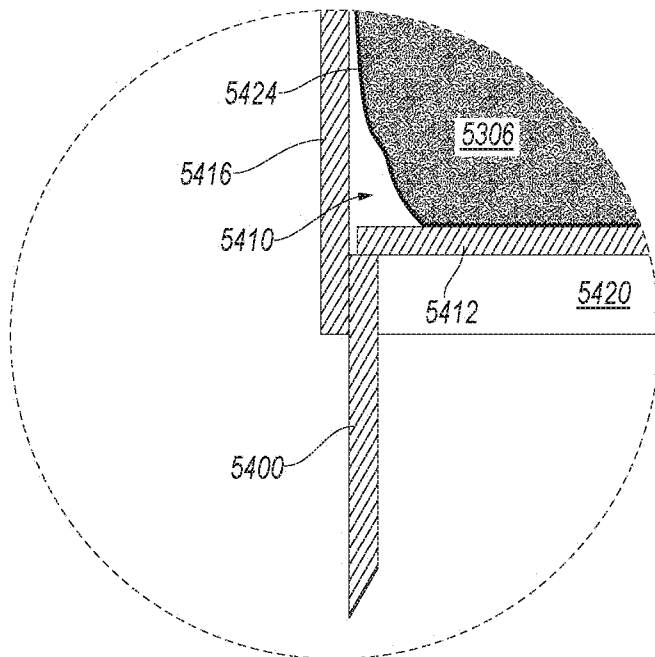
**Fig. 139**



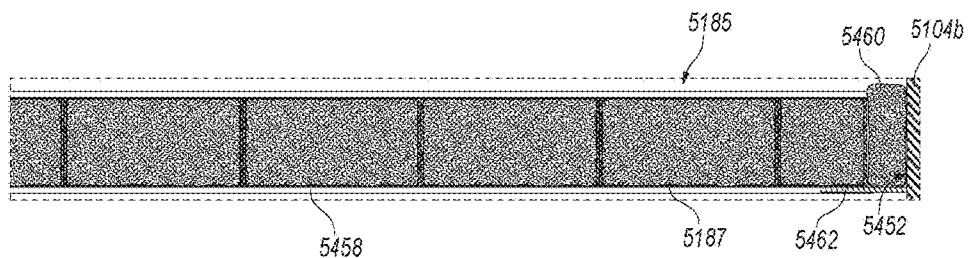
**Fig. 140**



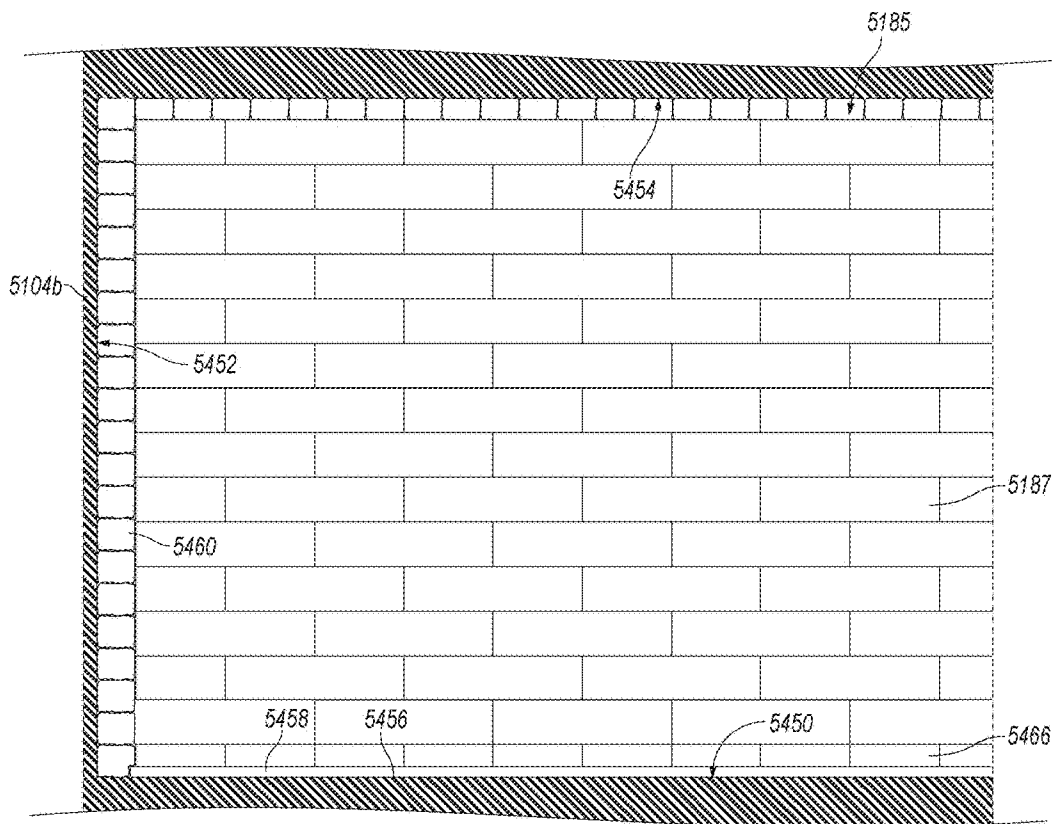
**Fig. 141**



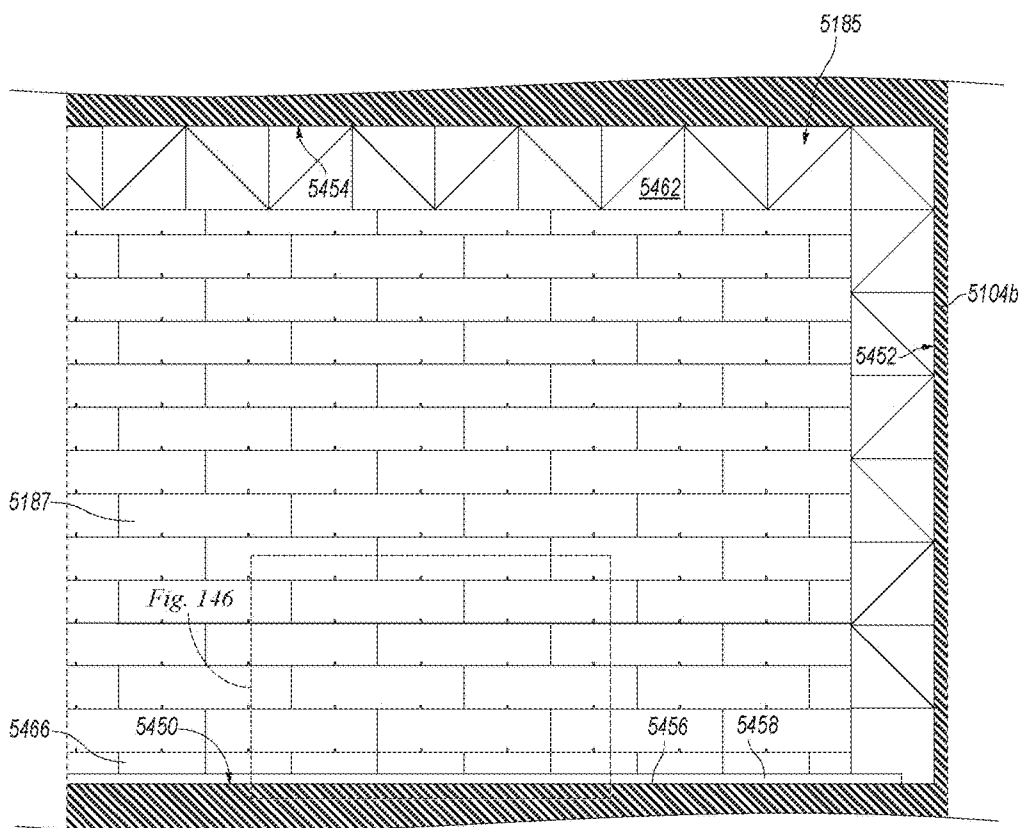
**Fig. 142**



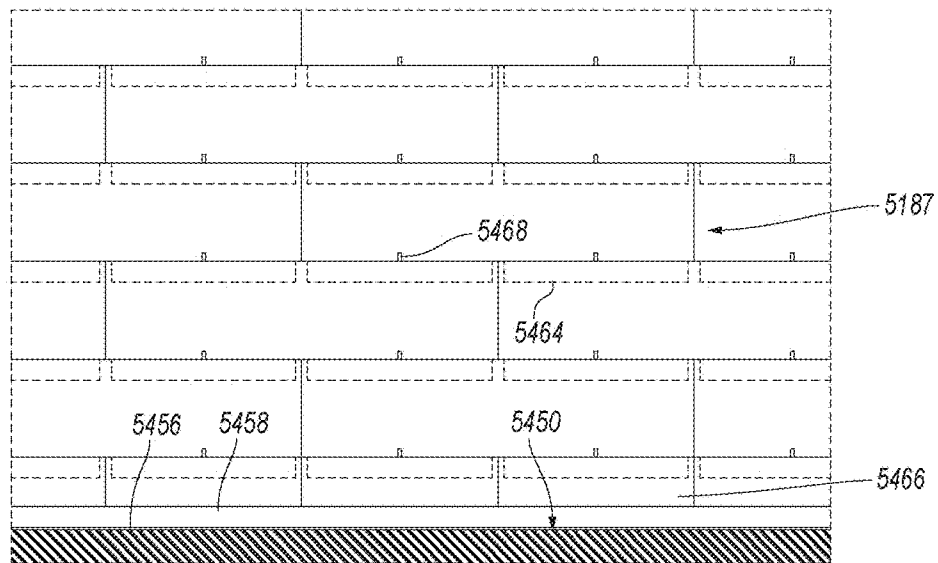
**Fig. 143**



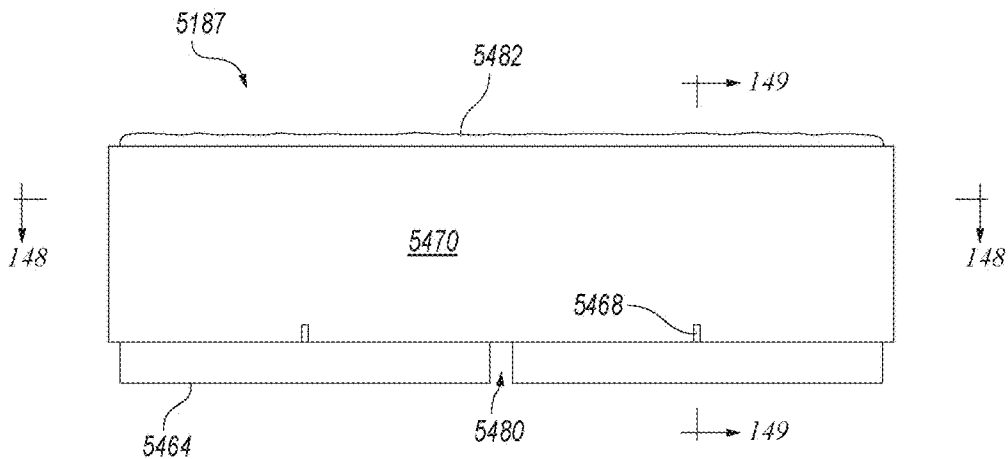
**Fig. 144**



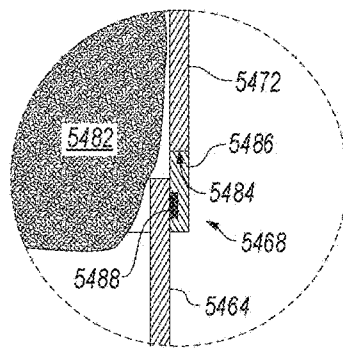
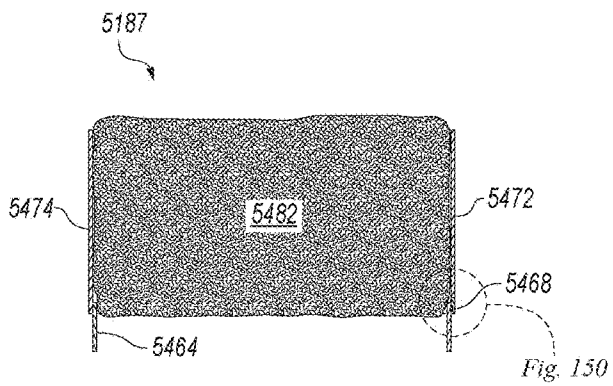
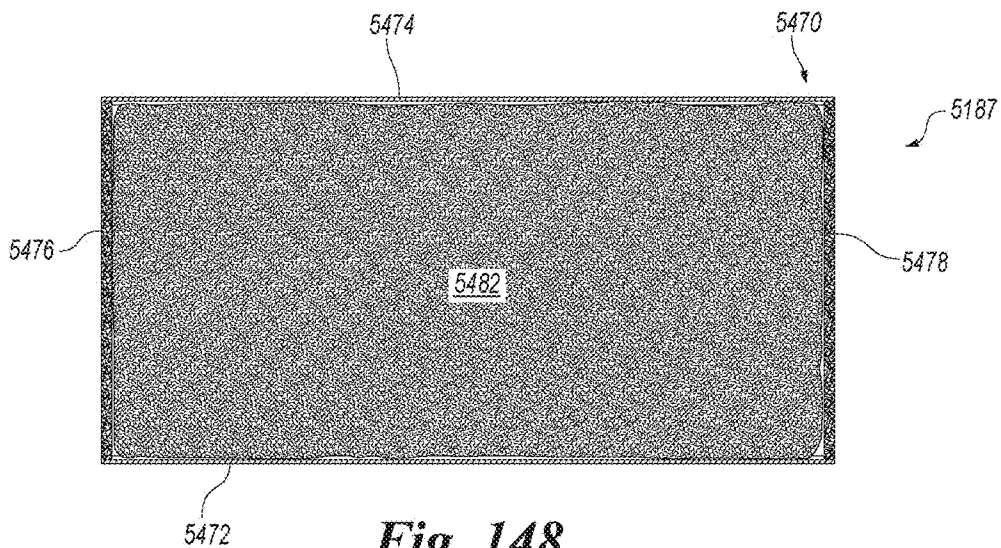
**Fig. 145**



**Fig. 146**



**Fig. 147**





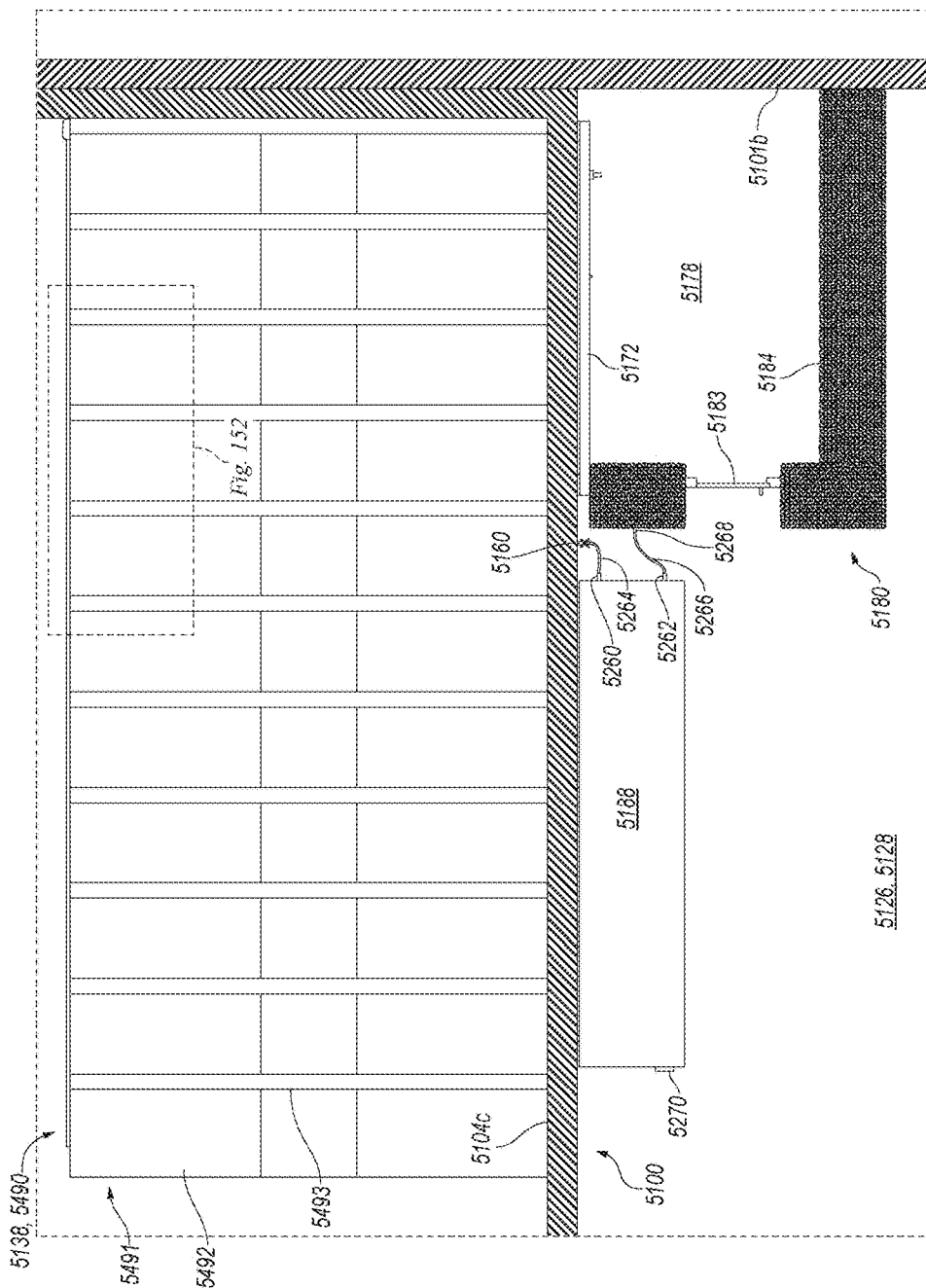
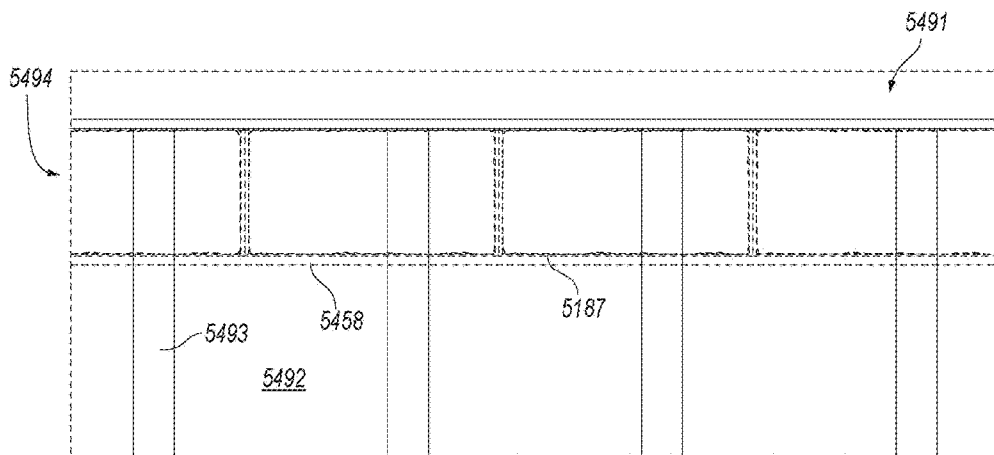
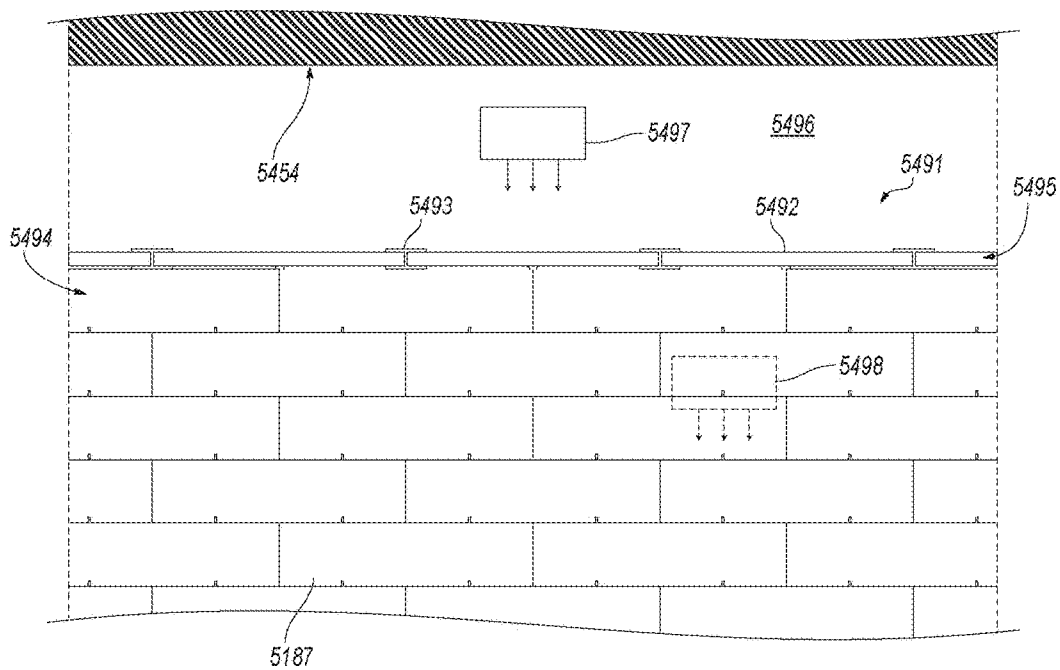


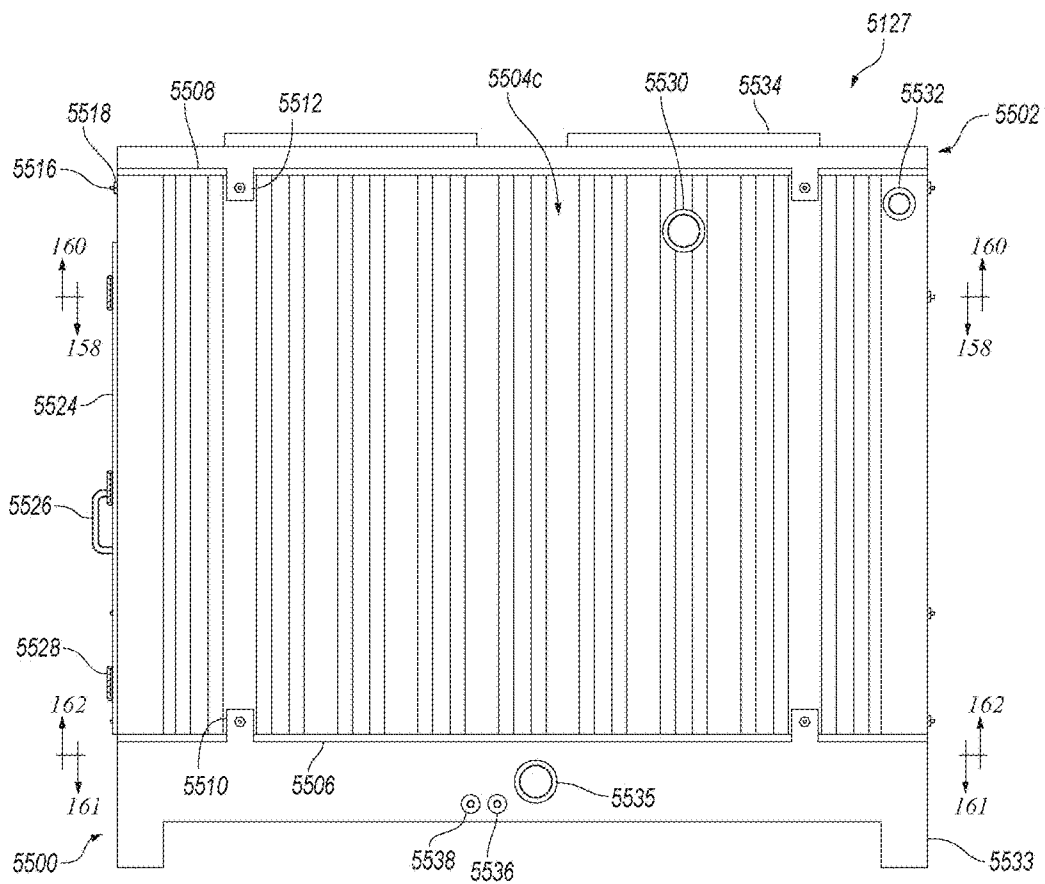
Fig. 151



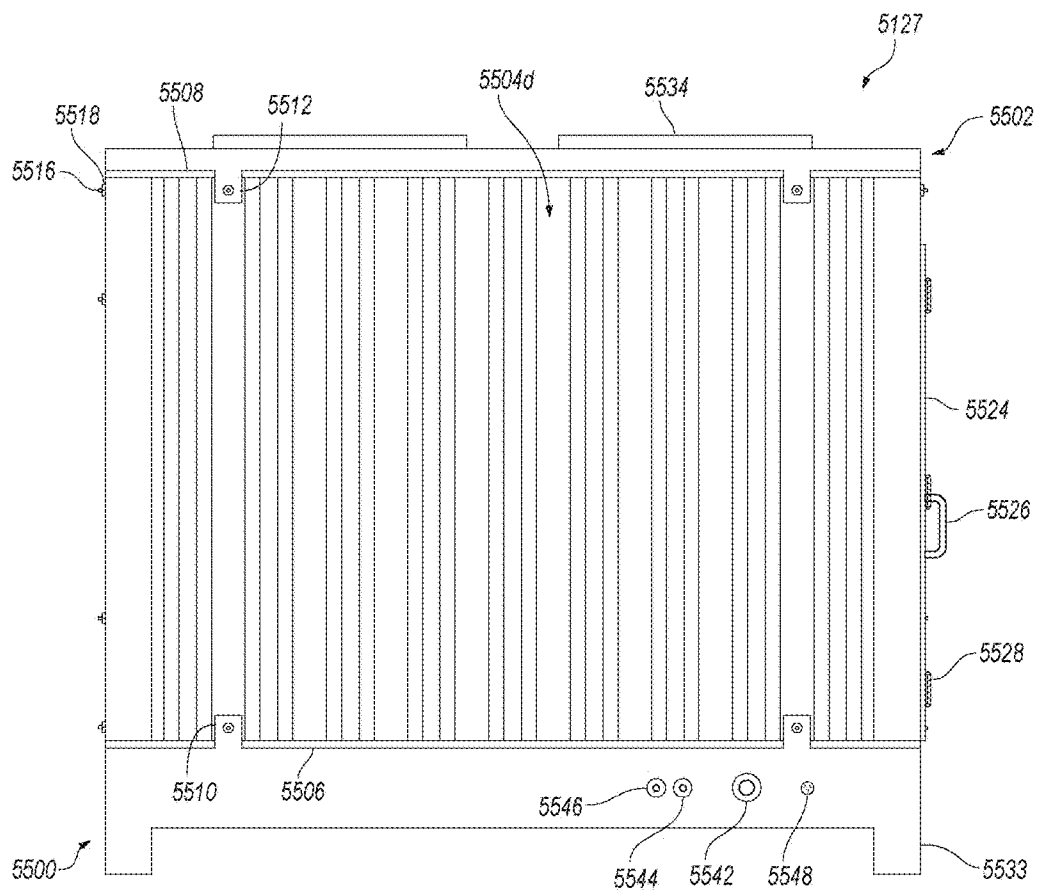
**Fig. 152**



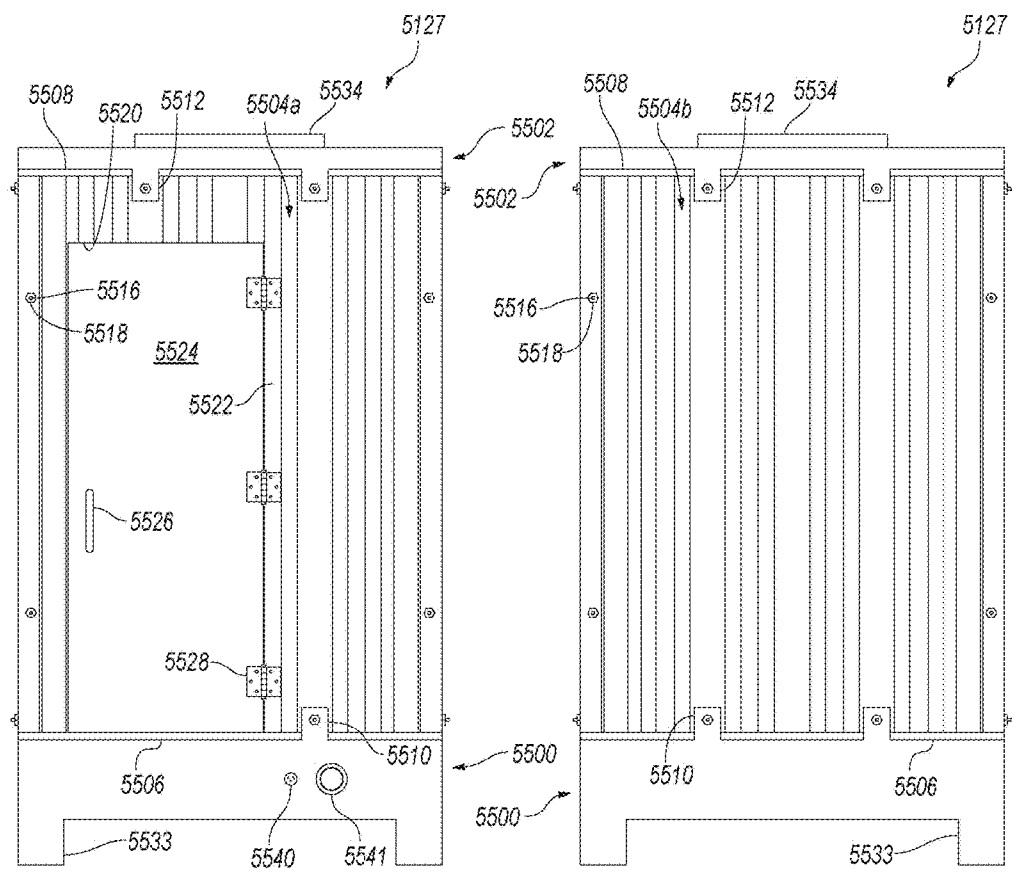
**Fig. 153**



**Fig. 154**

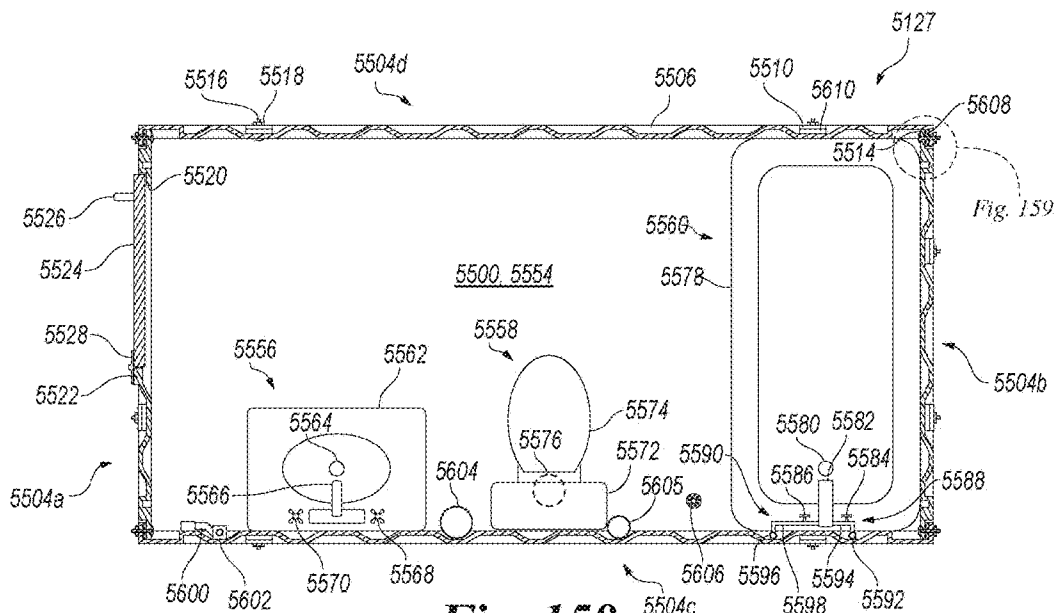


**Fig. 155**

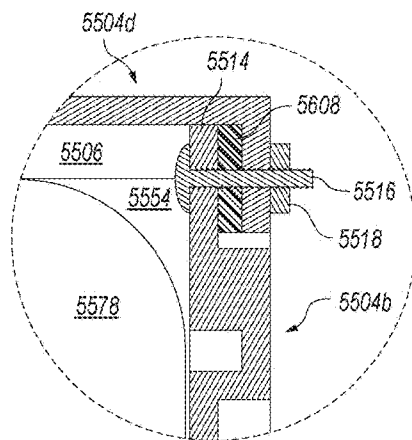


**Fig. 156**

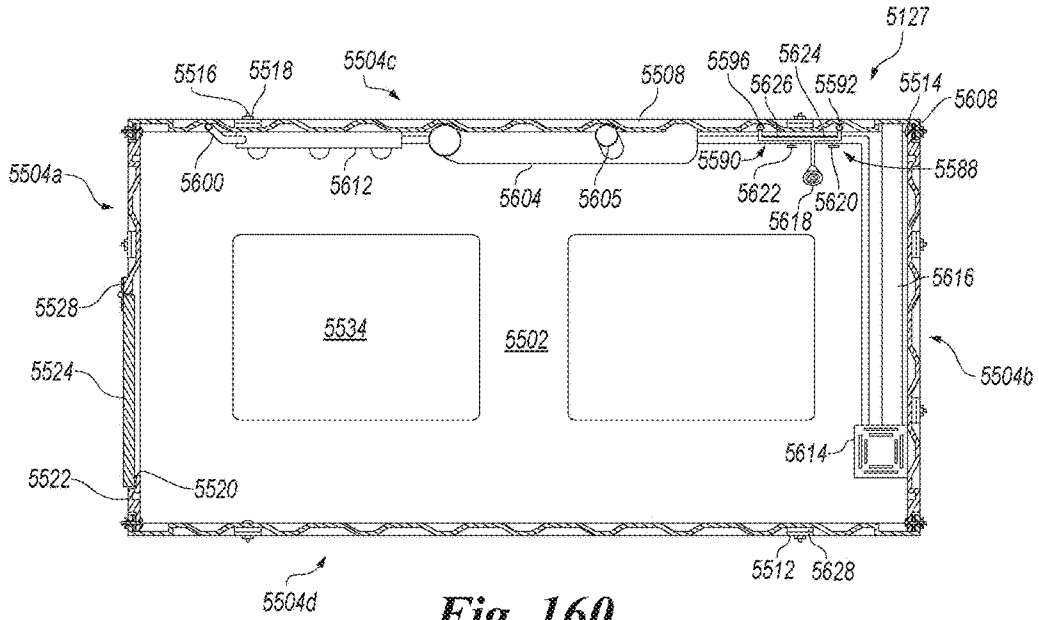
**Fig. 157**



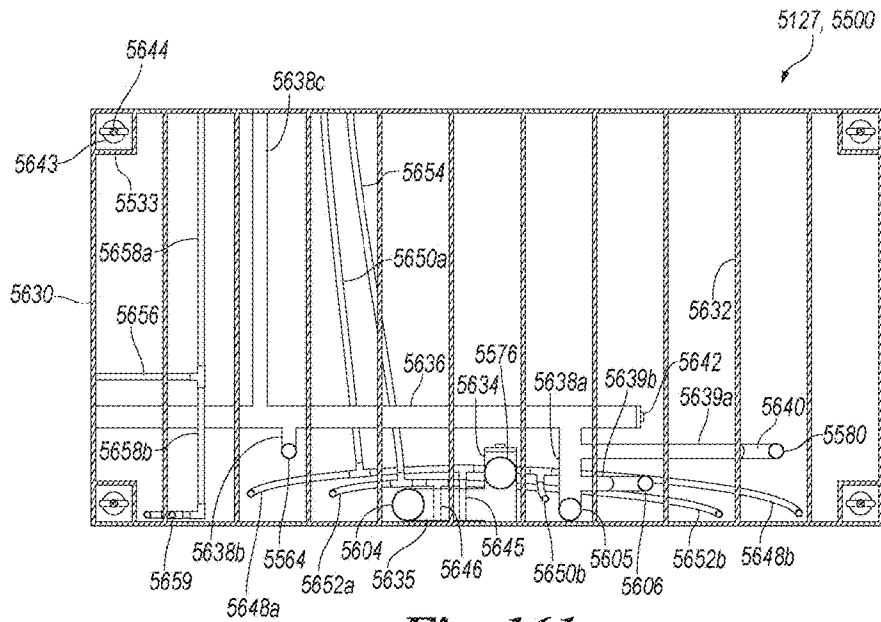
**Fig. 158**



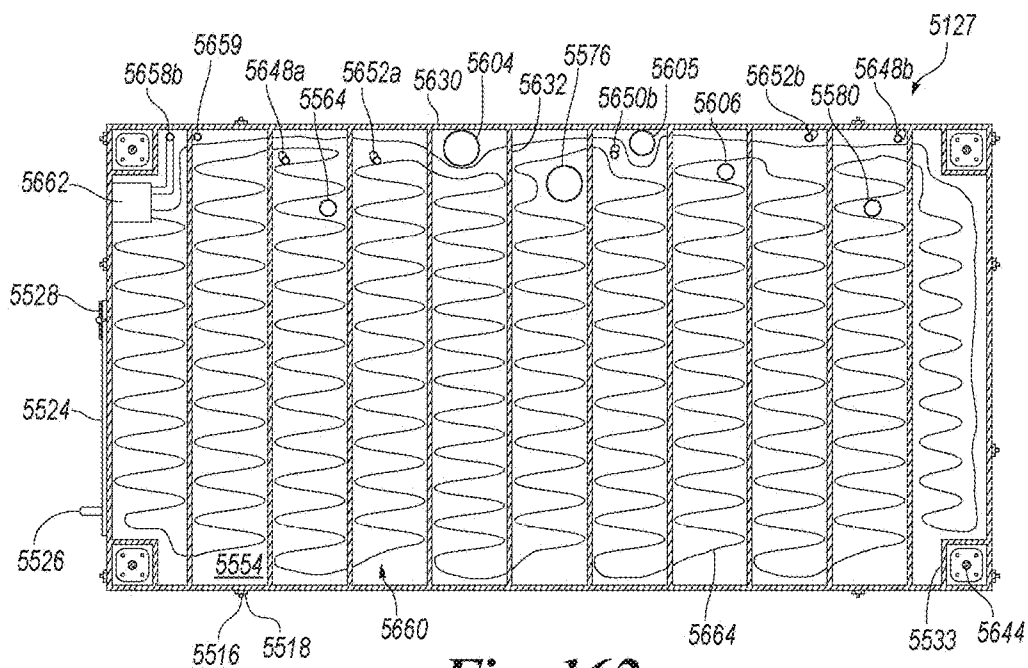
**Fig. 159**



**Fig. 160**



**Fig. 161**



**Fig. 162**



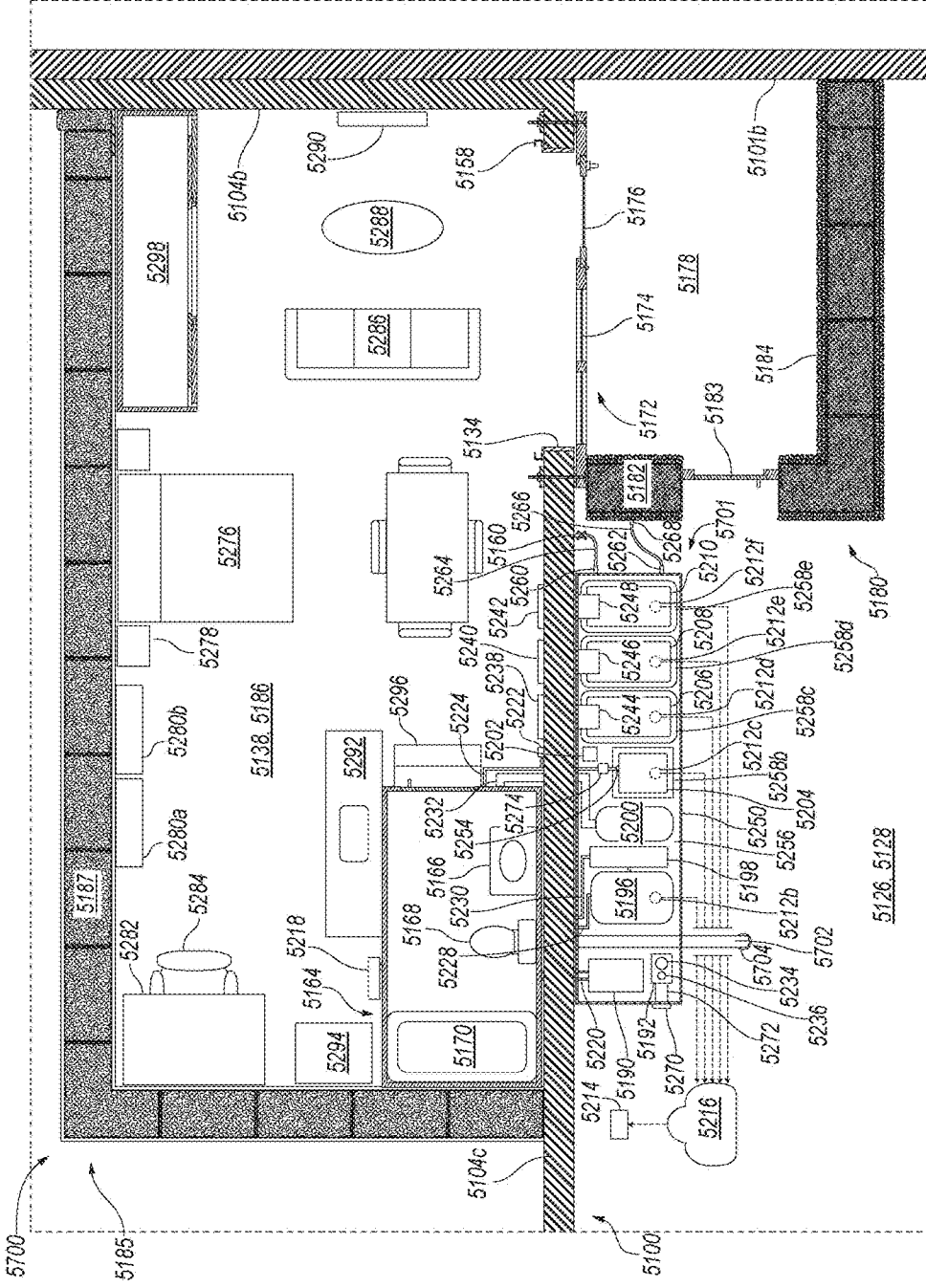
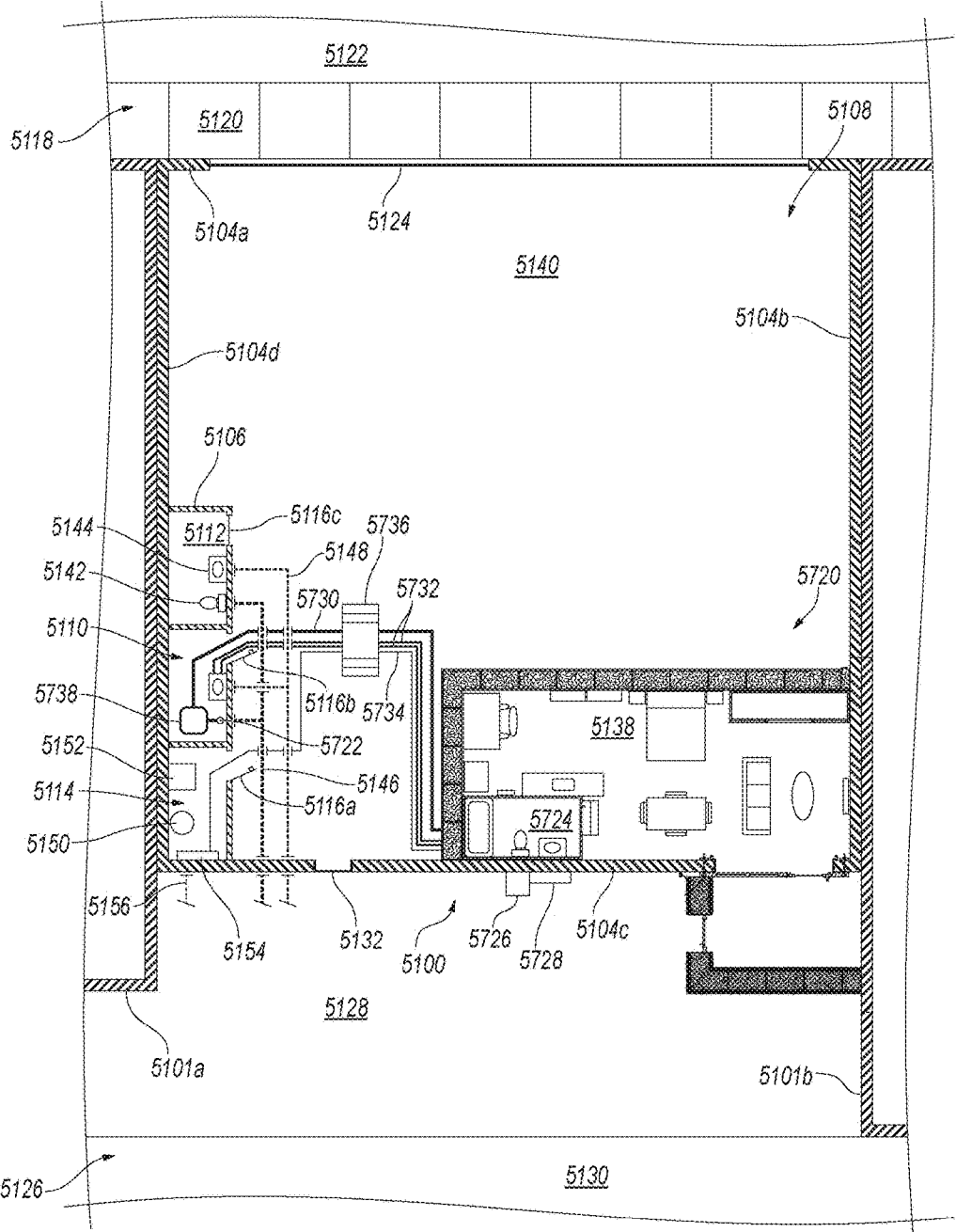


Fig. 163



*Fig. 164*

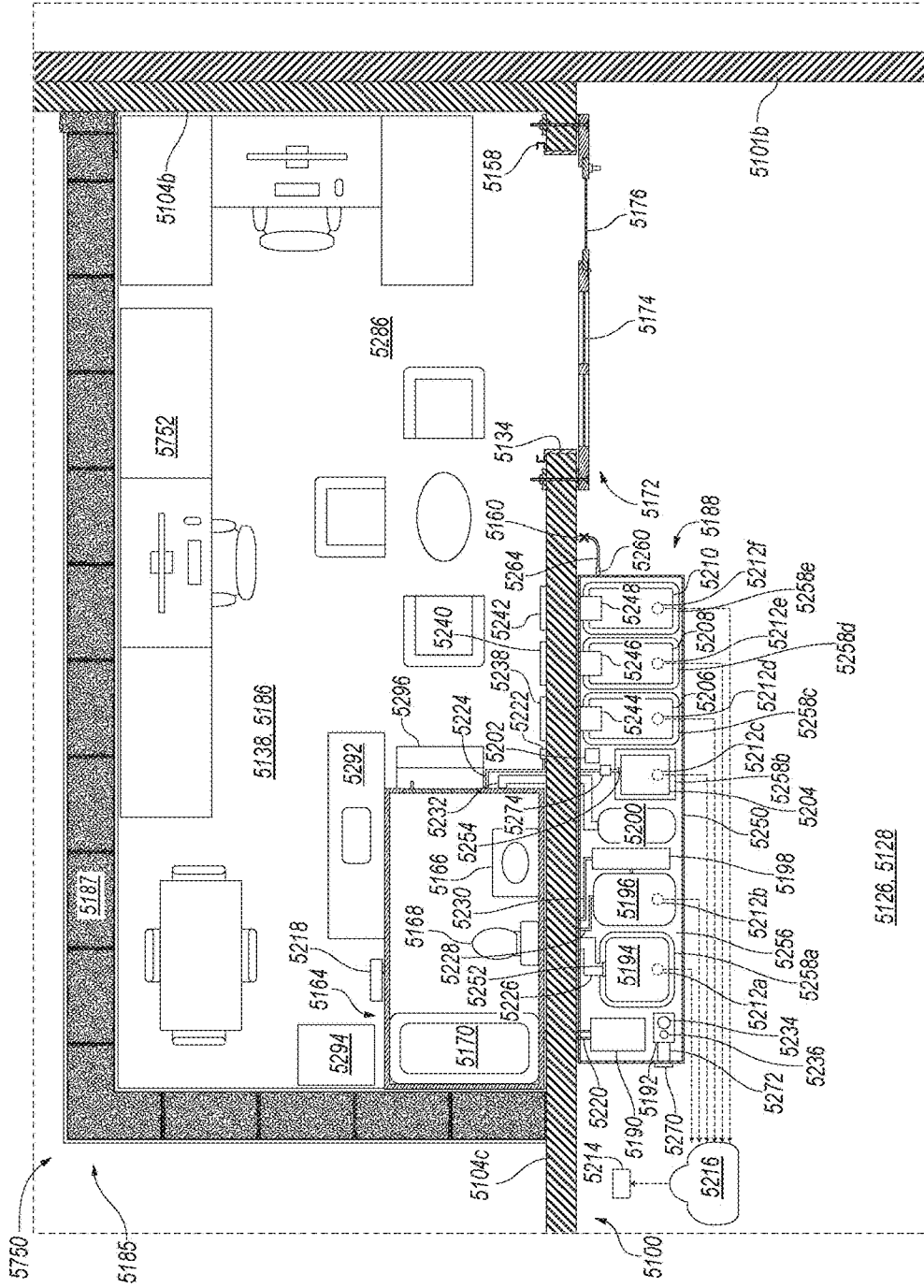


Fig. 165

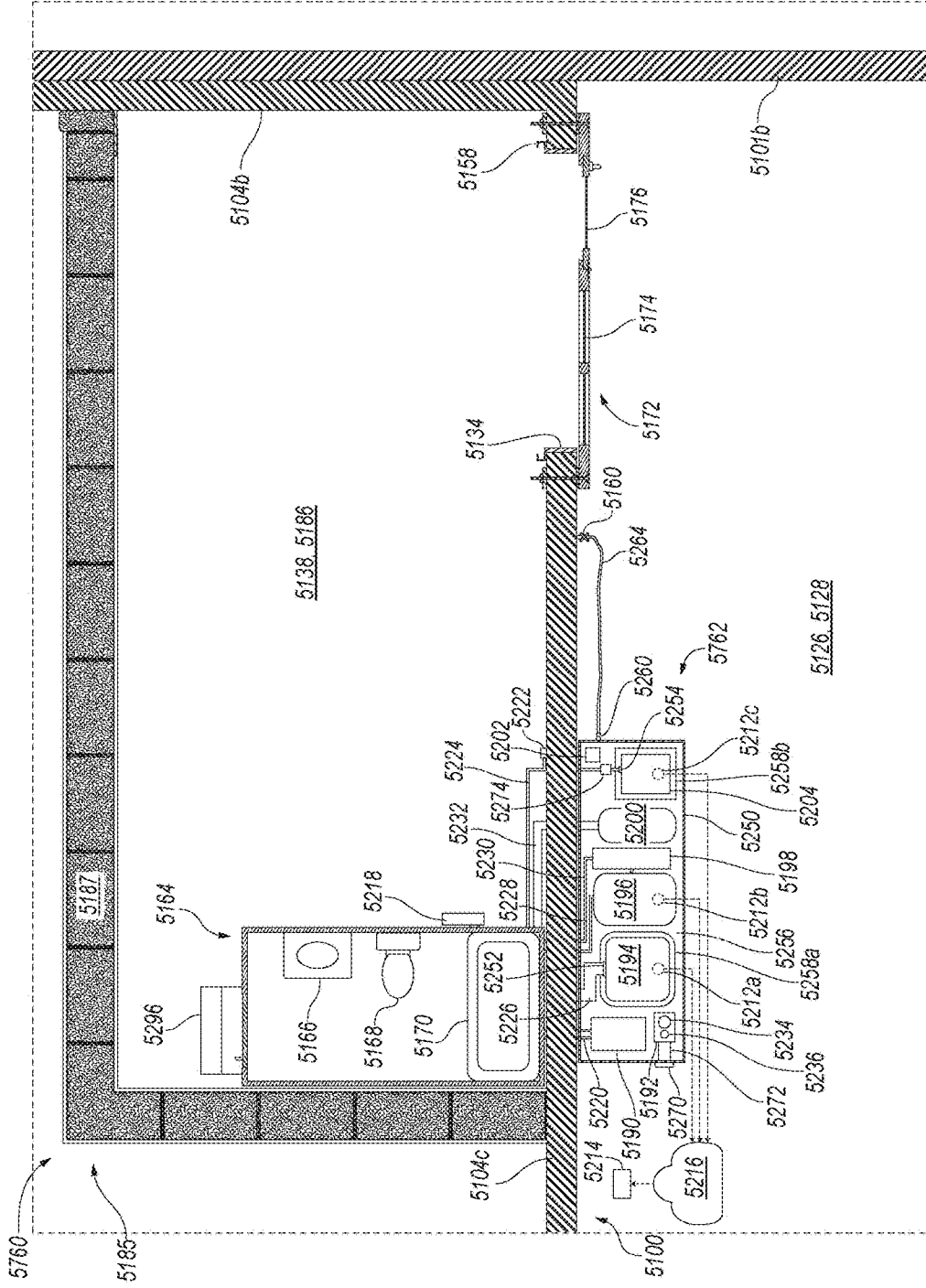


Fig. 166

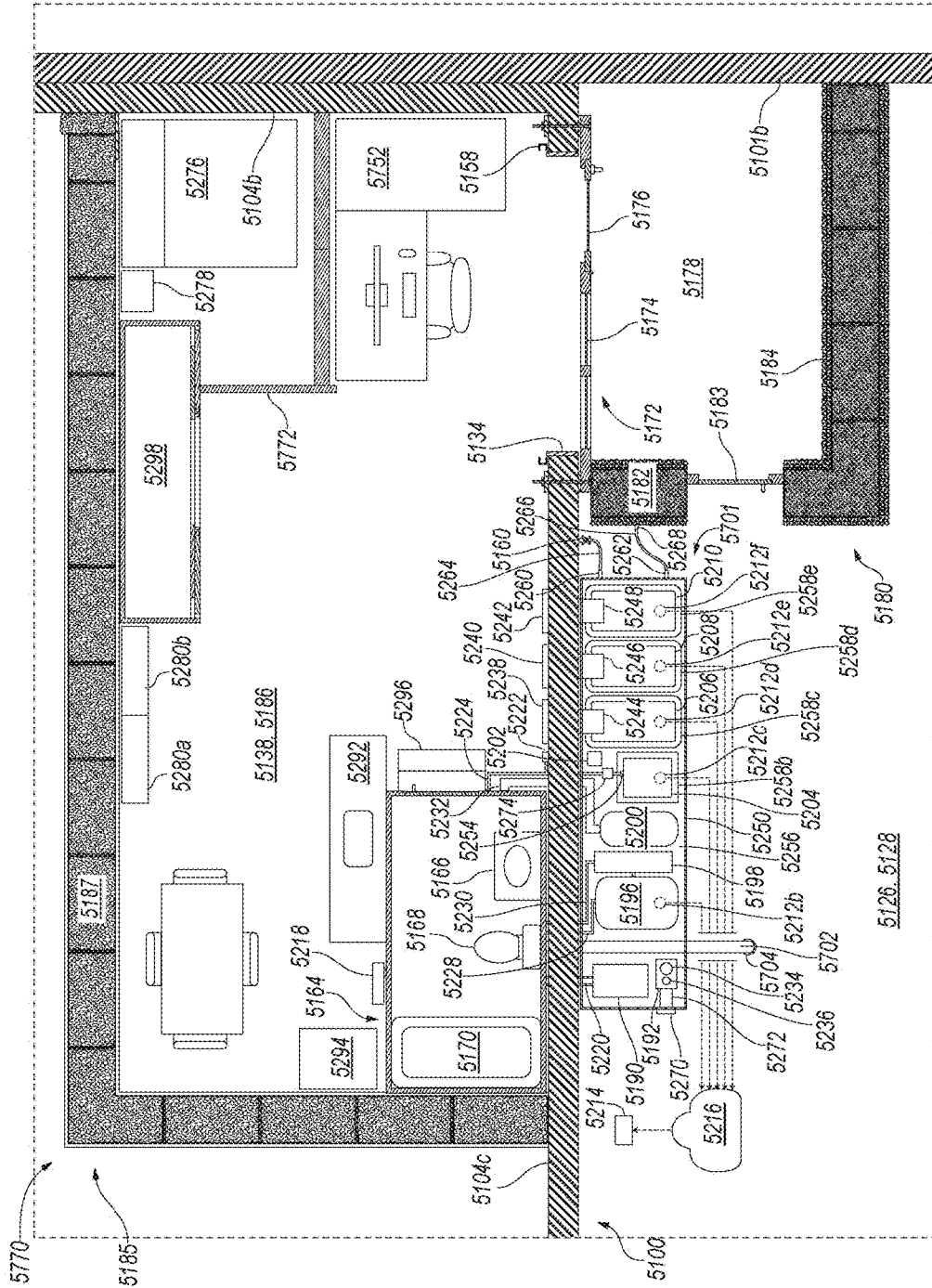
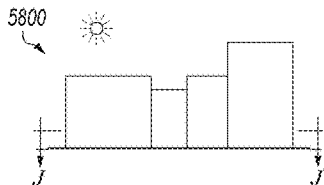
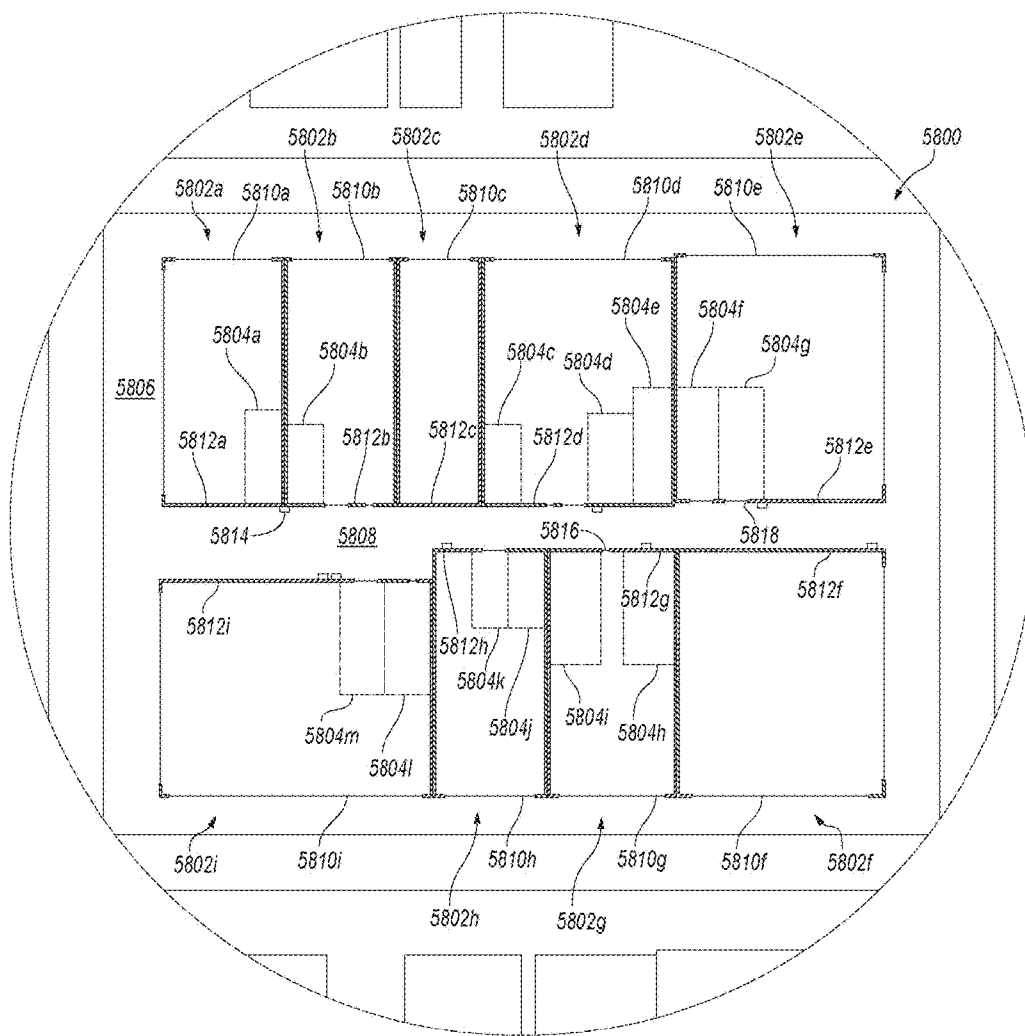


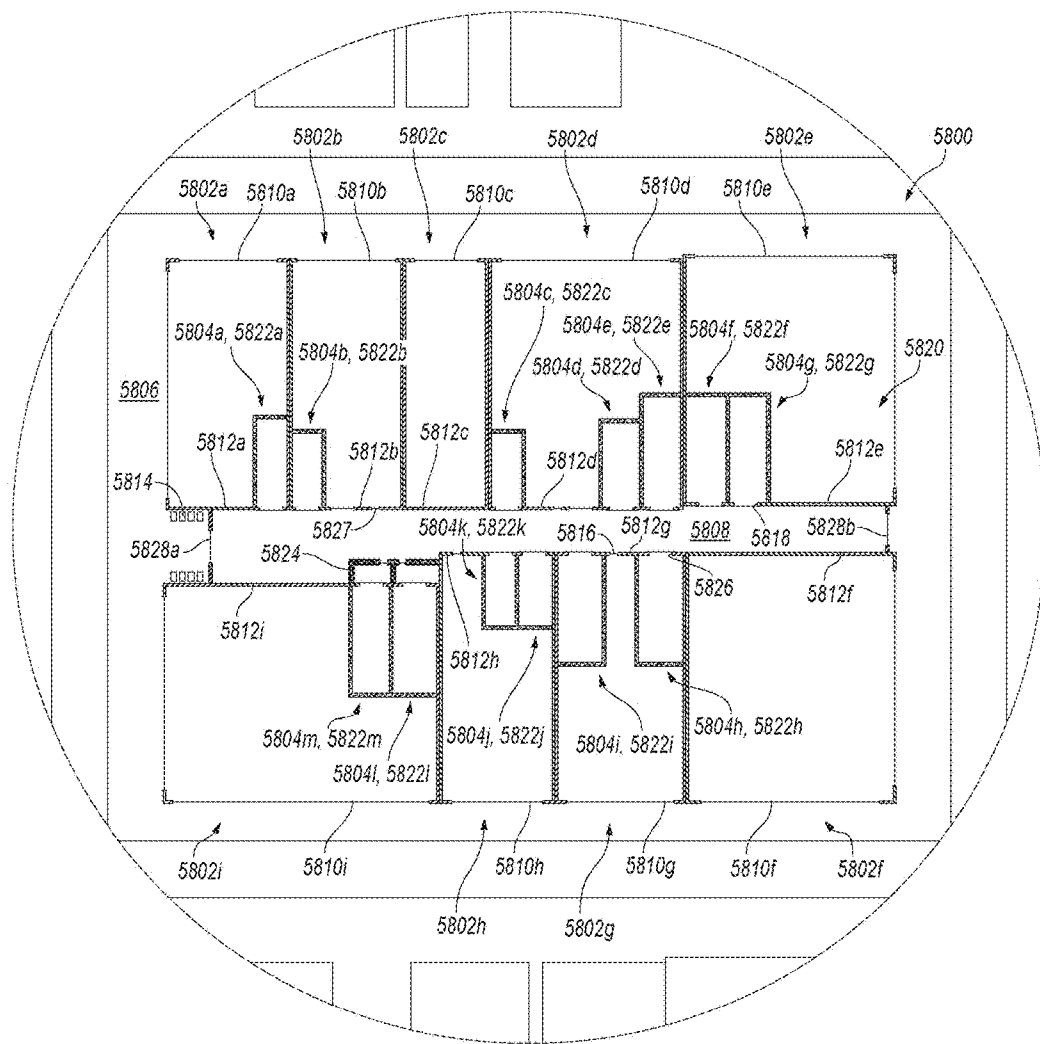
Fig. 167



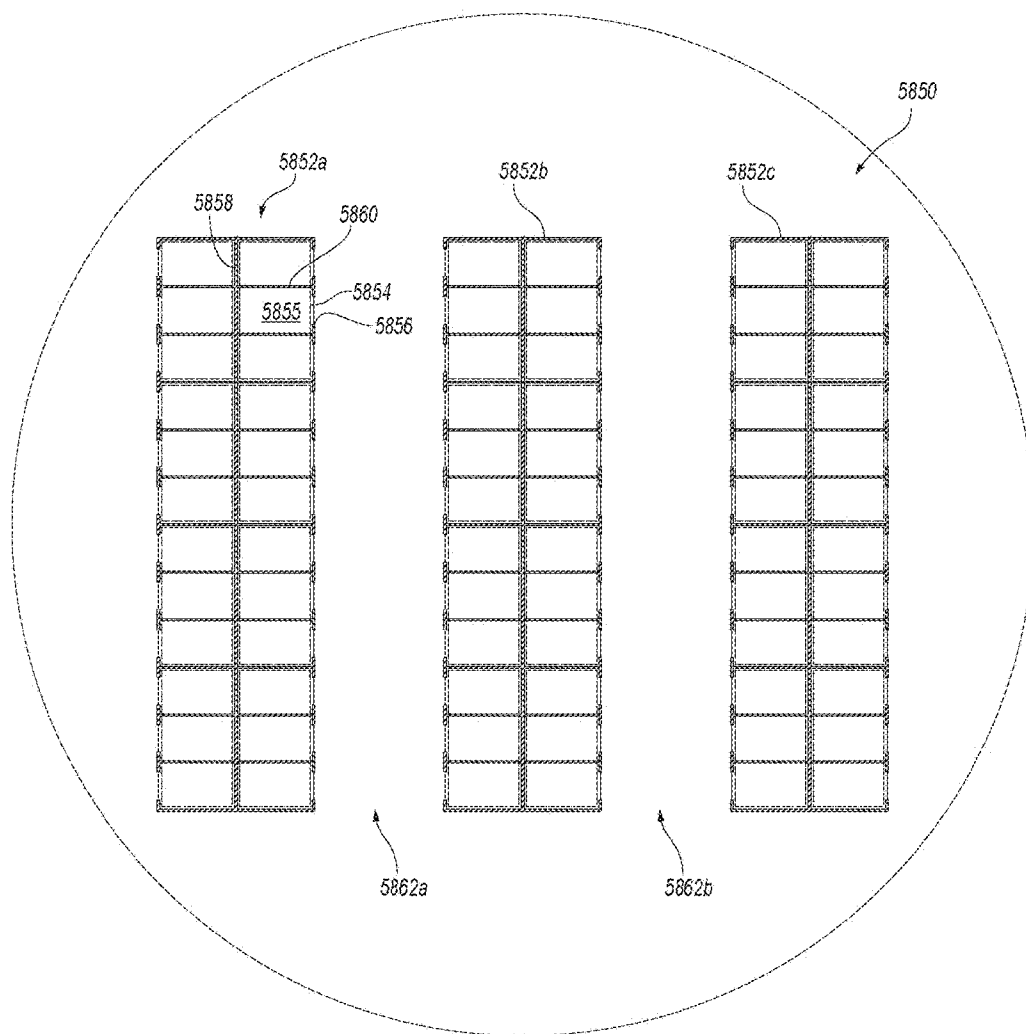
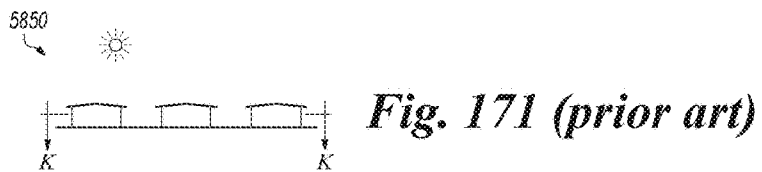
*Fig. 168 (prior art)*



*Fig. 169 (prior art)*

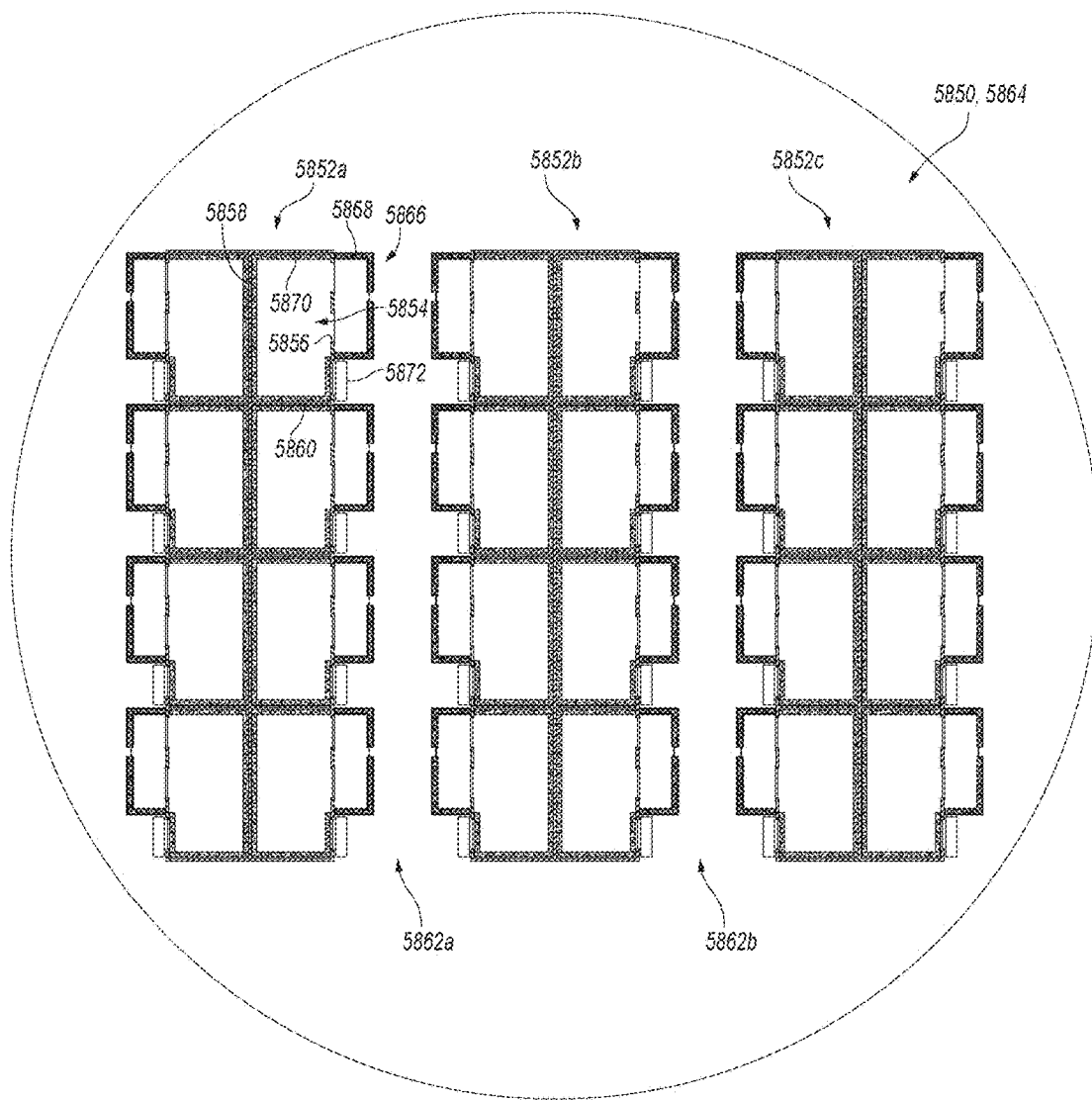


**Fig. 170**



*Fig. 172 (prior art)*





*Fig. 173*

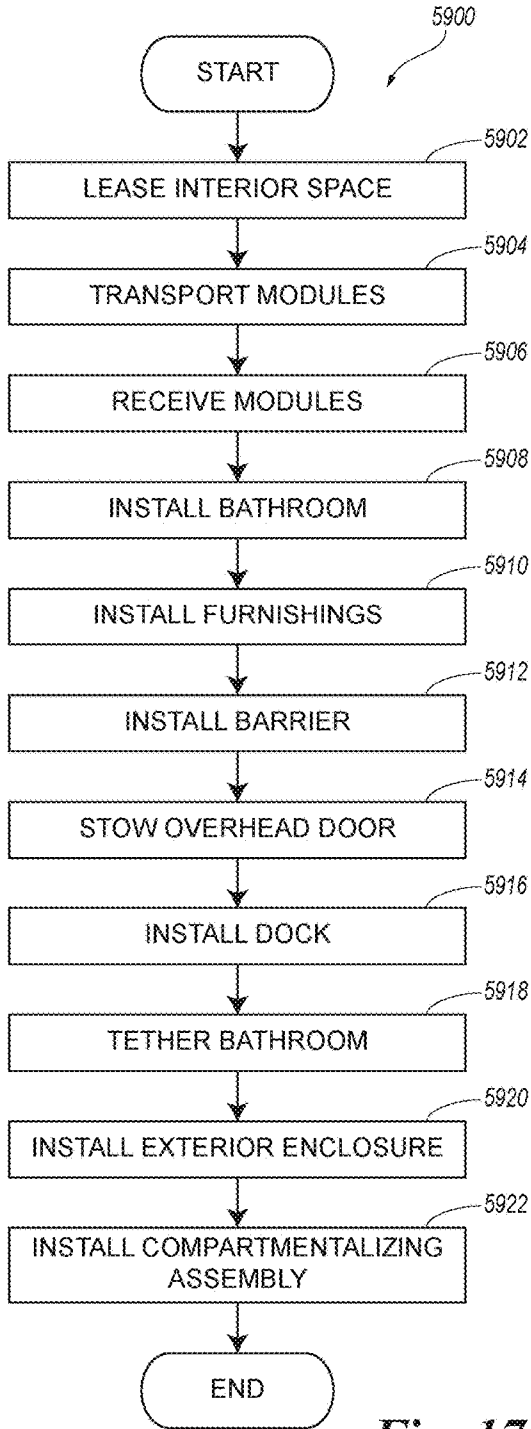


Fig. 174

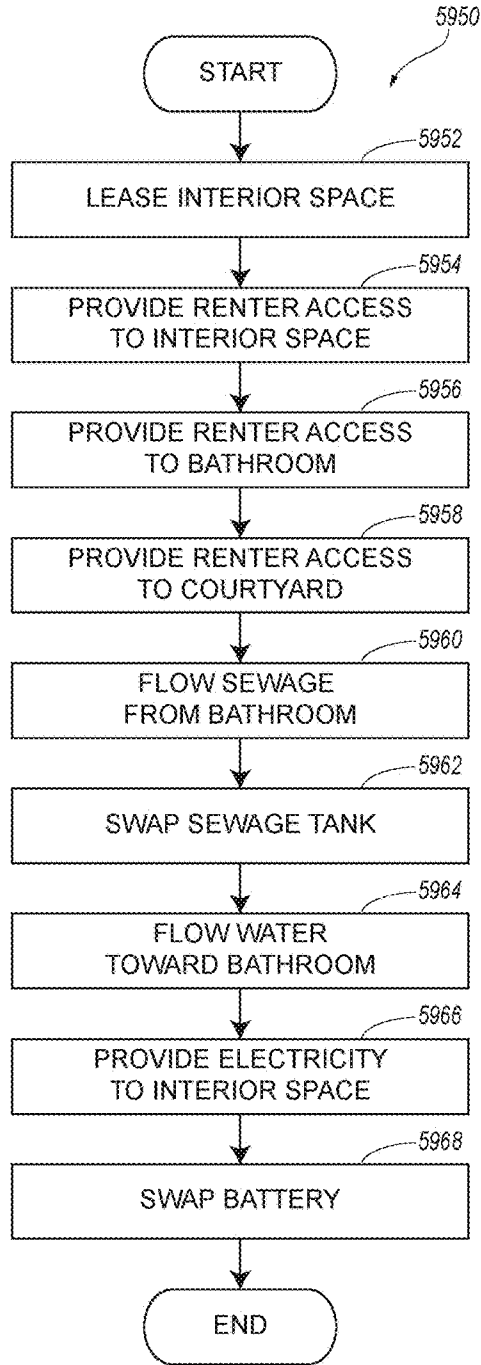
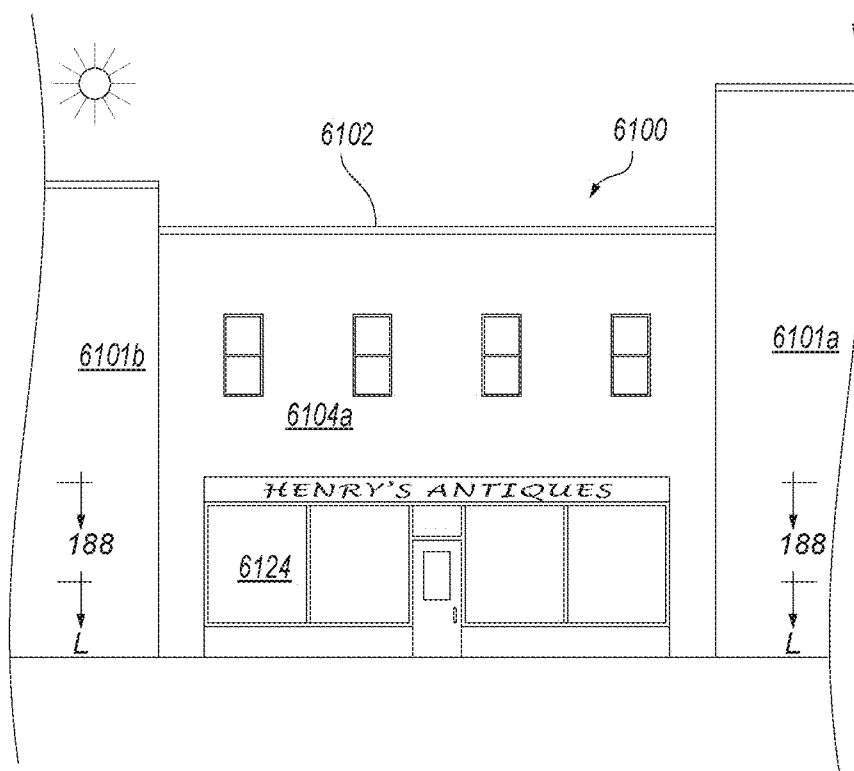
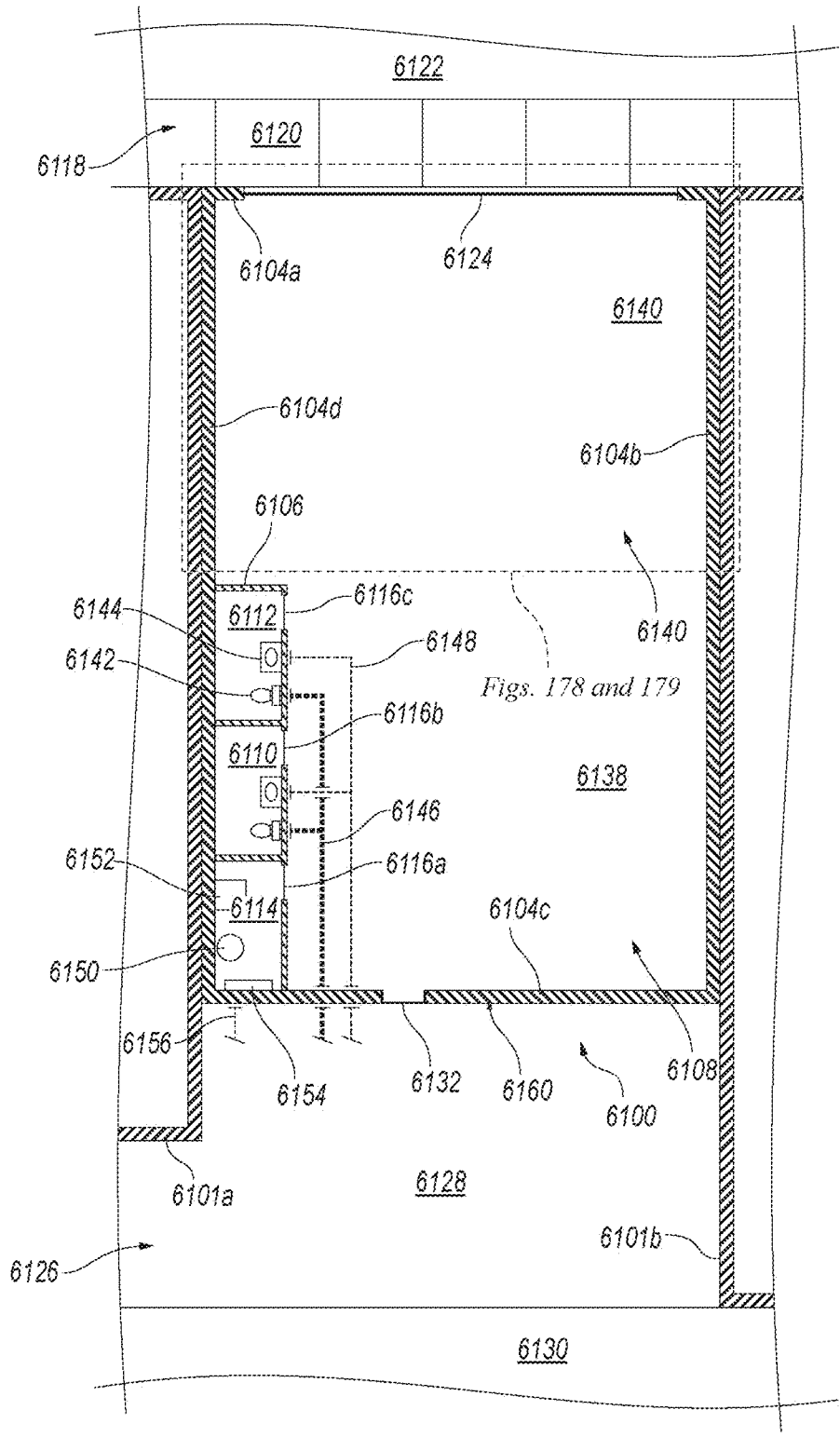


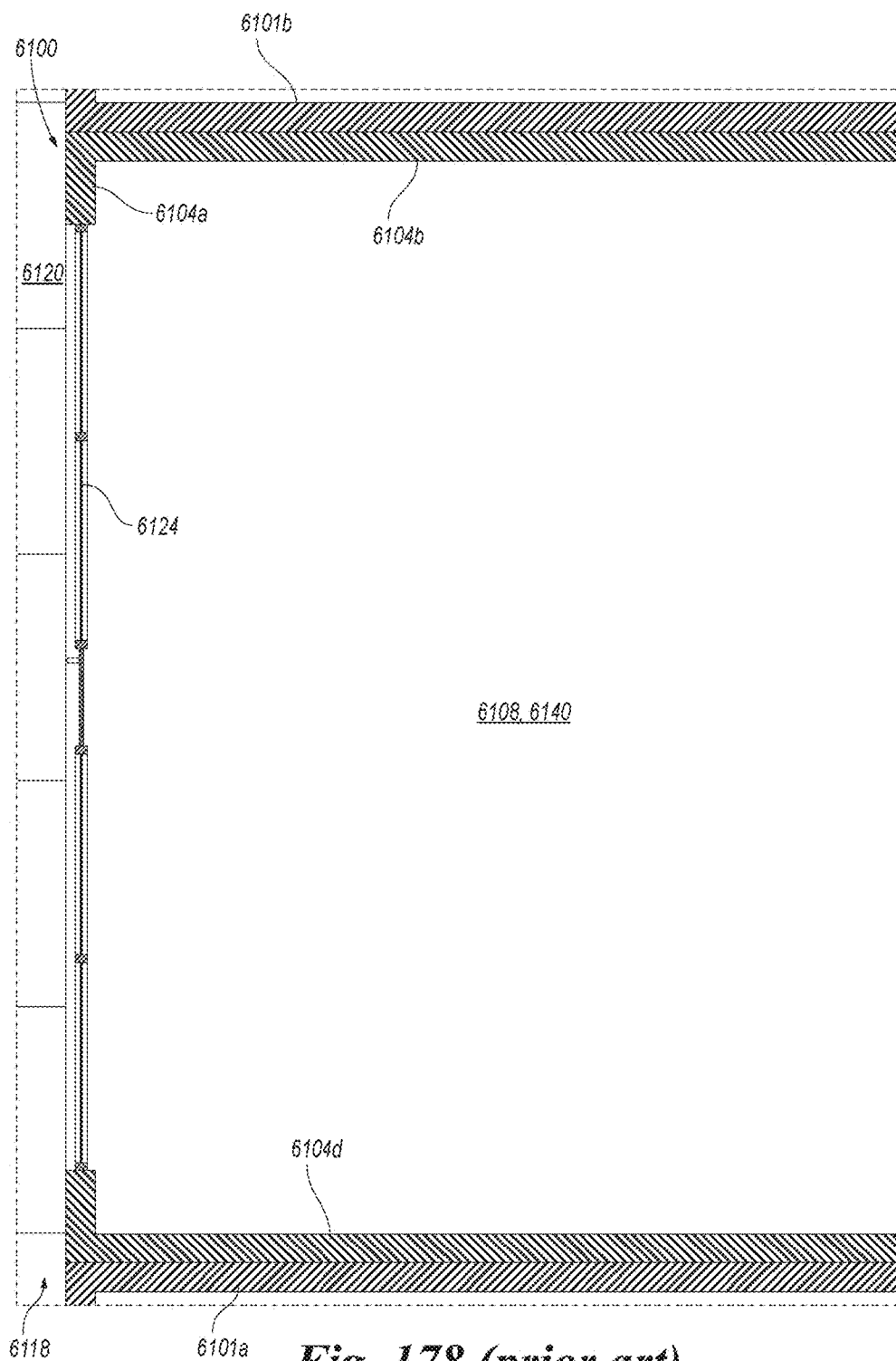
Fig. 175



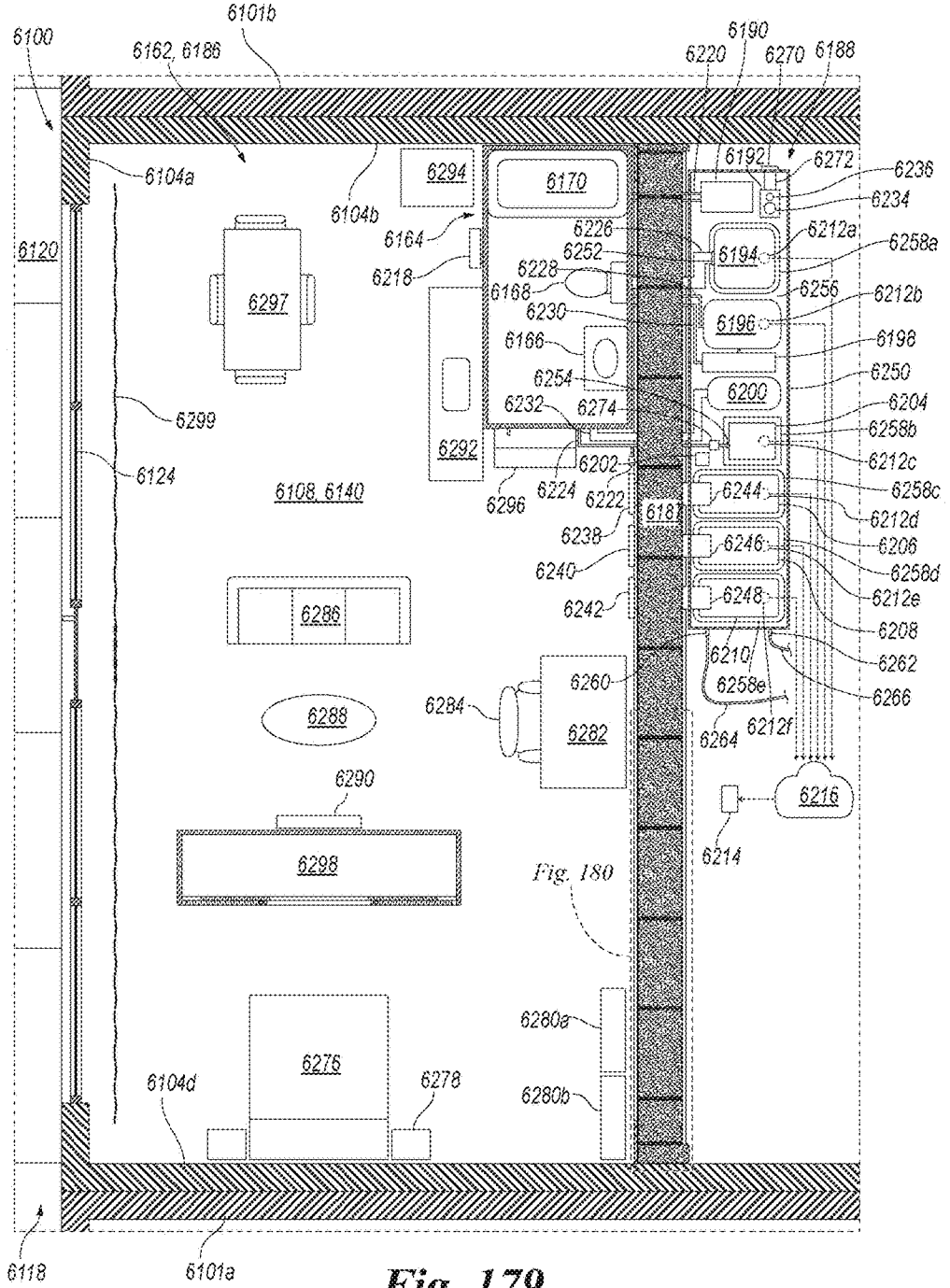
*Fig. 176 (prior art)*



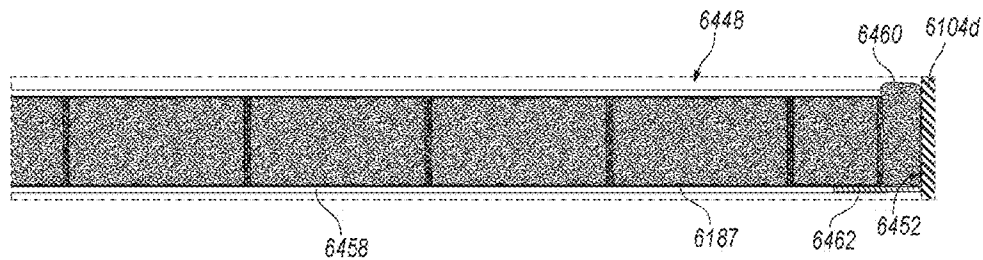
**Fig. 177 (prior art)**



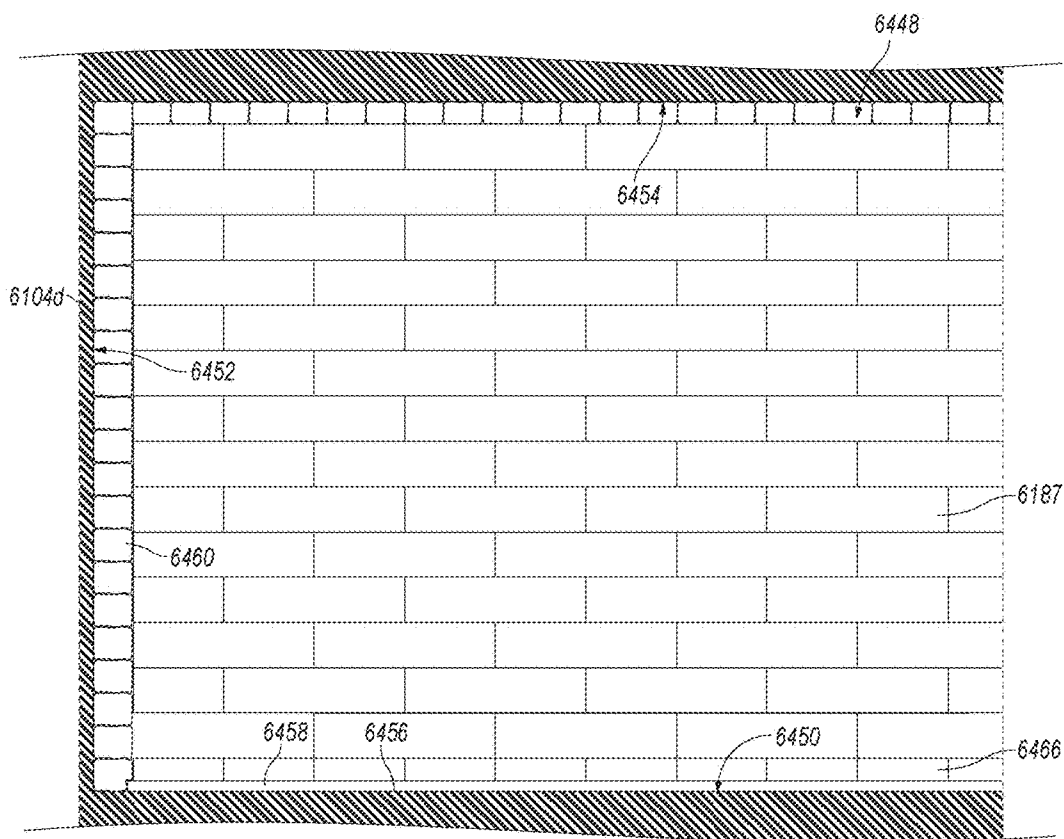
**Fig. 178 (prior art)**



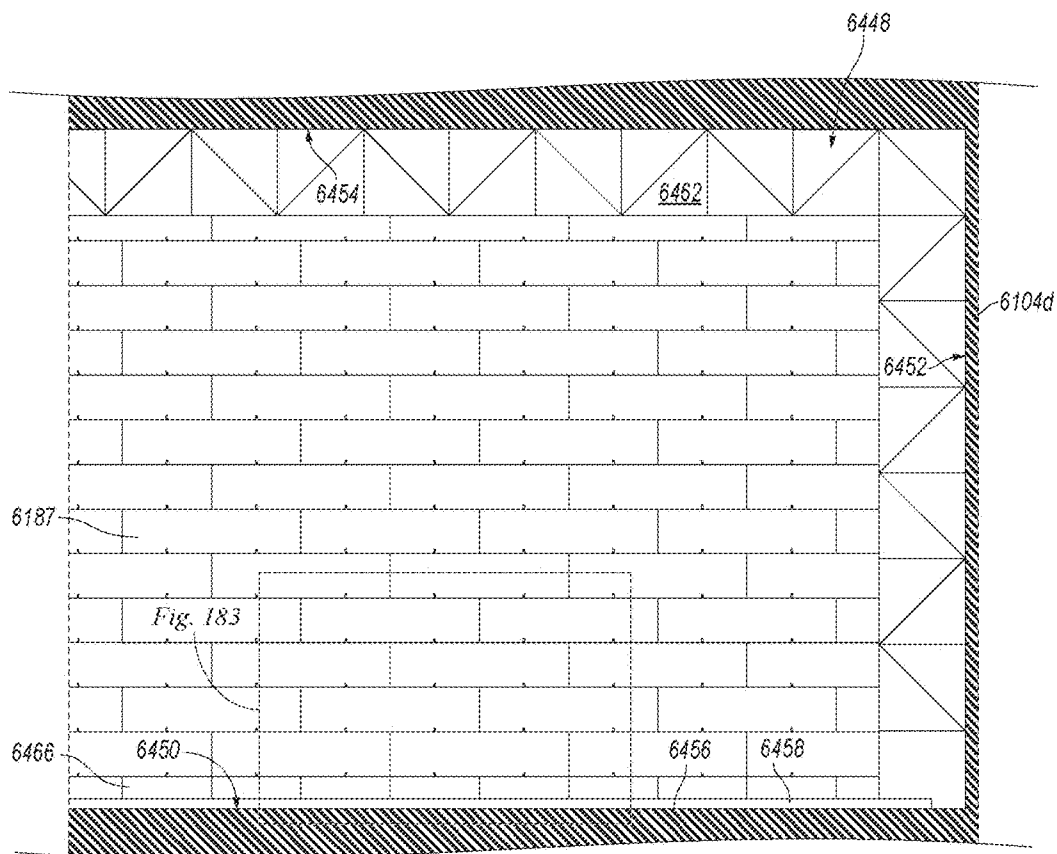
**Fig. 179**



*Fig. 180*

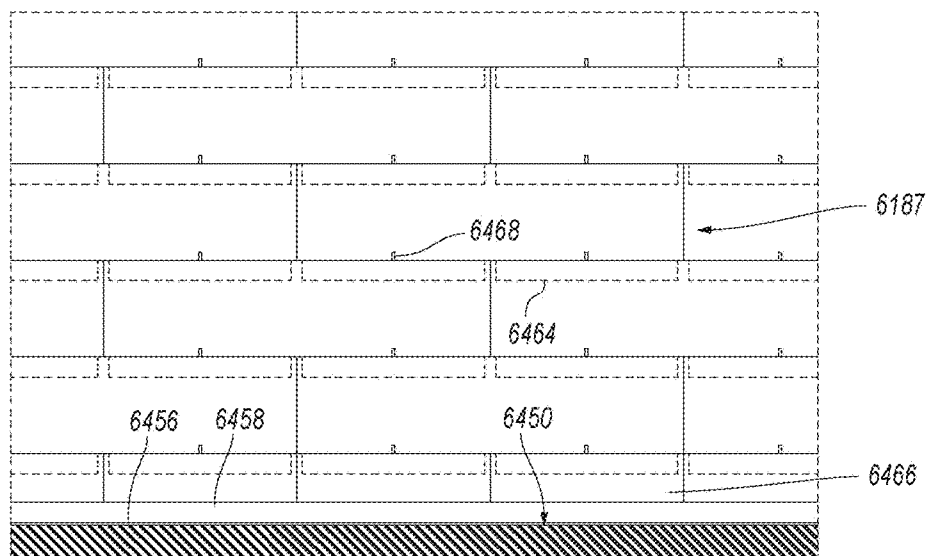


*Fig. 181*

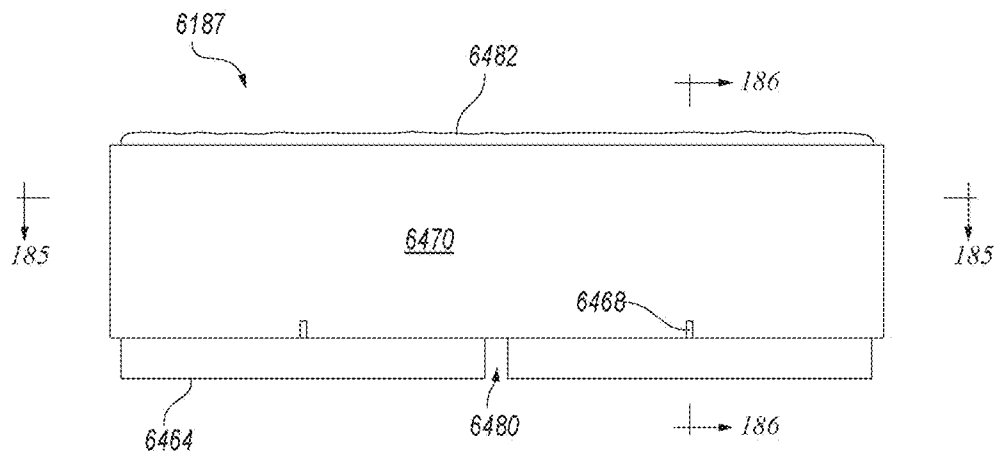


**Fig. 182**

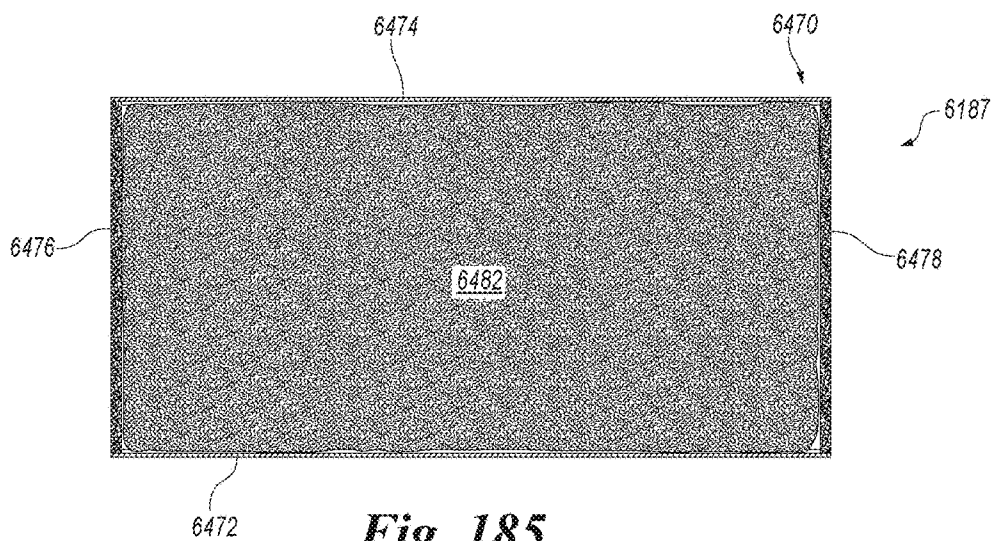




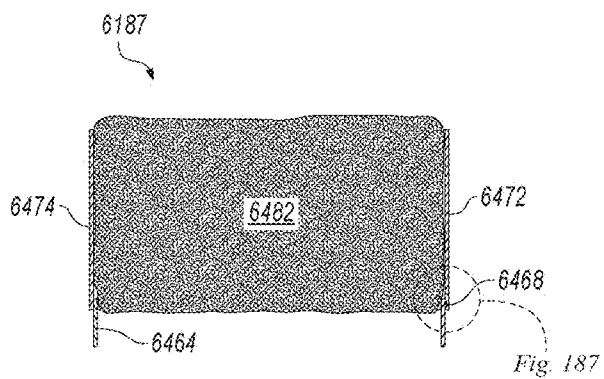
**Fig. 183**



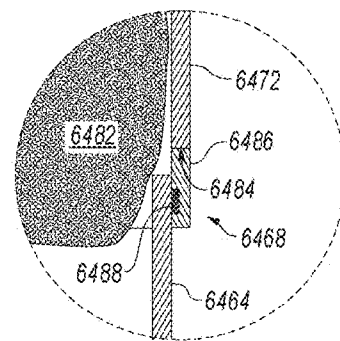
**Fig. 184**



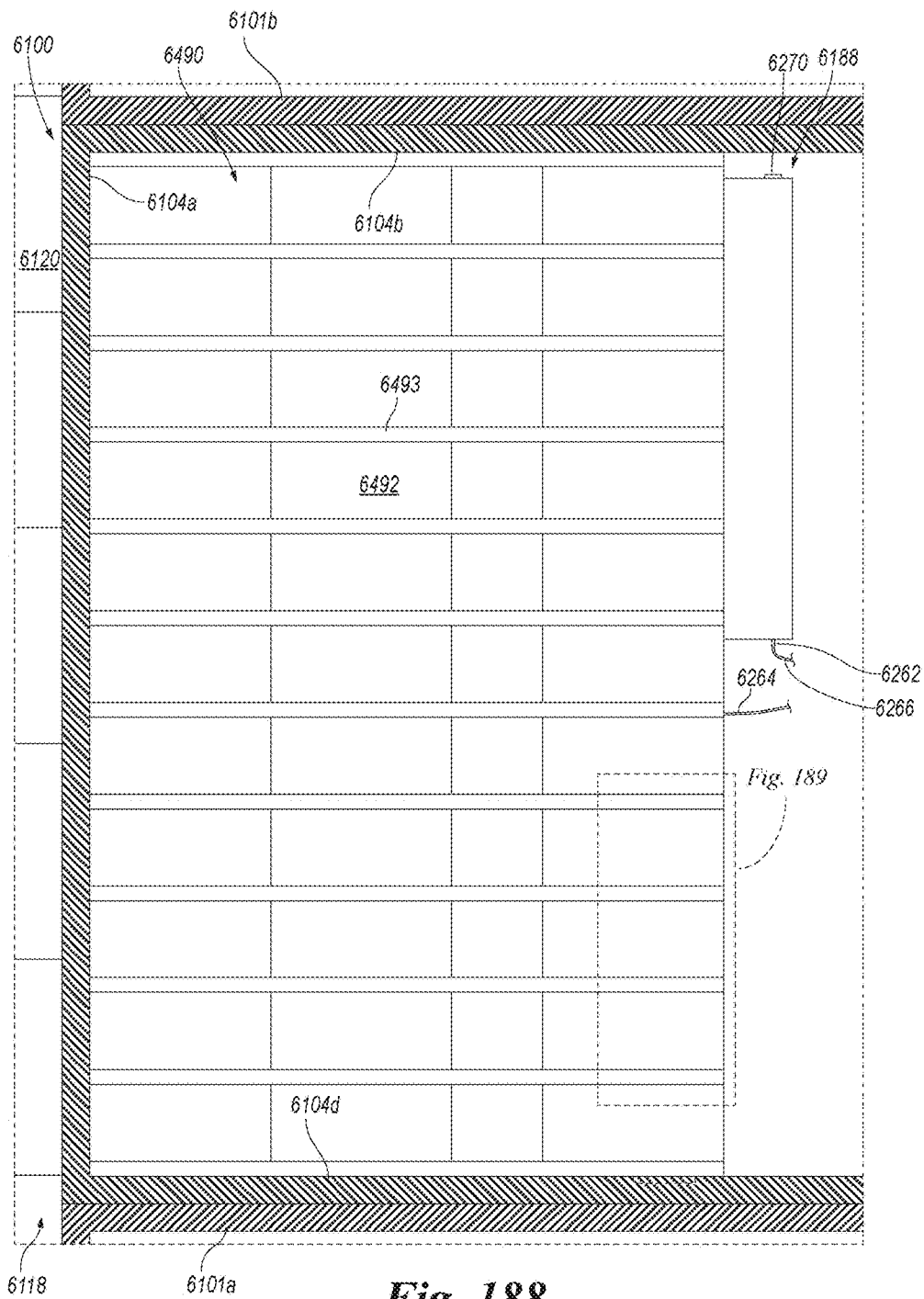
**Fig. 185**



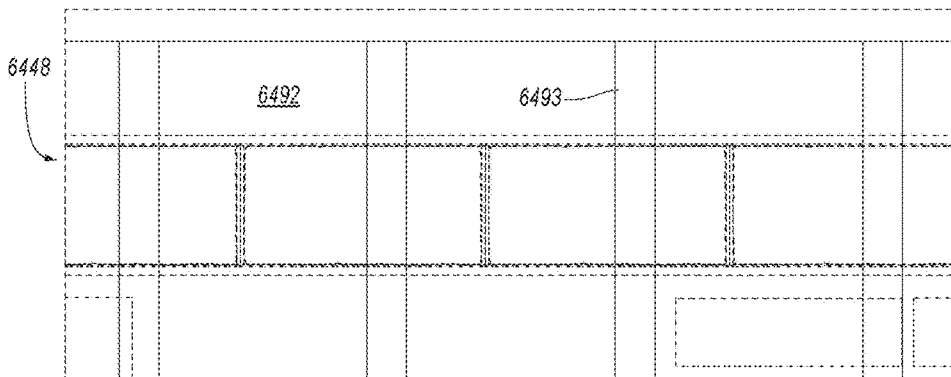
**Fig. 186**



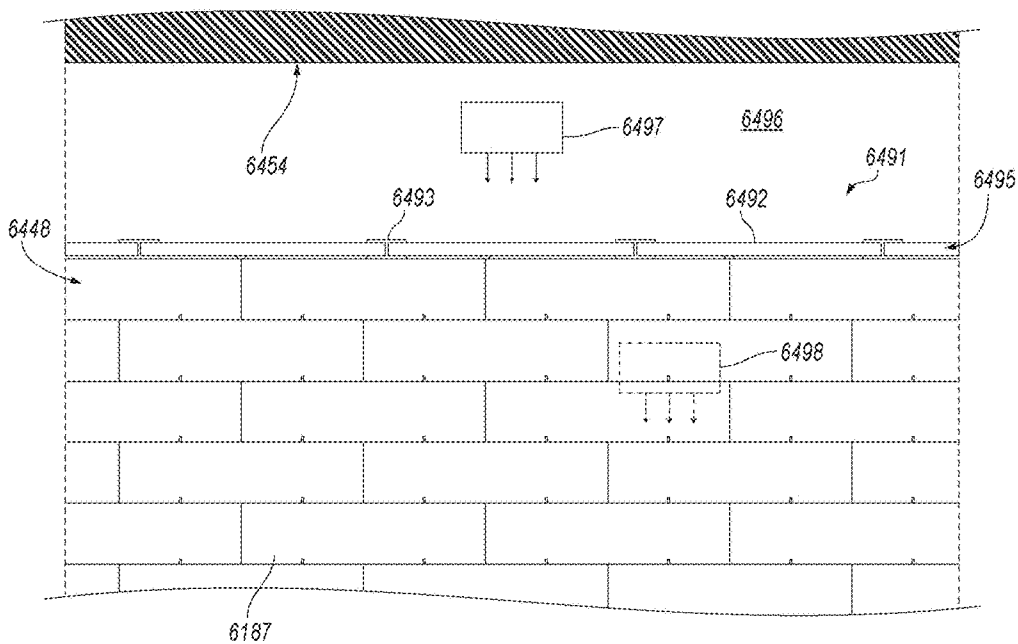
**Fig. 187**



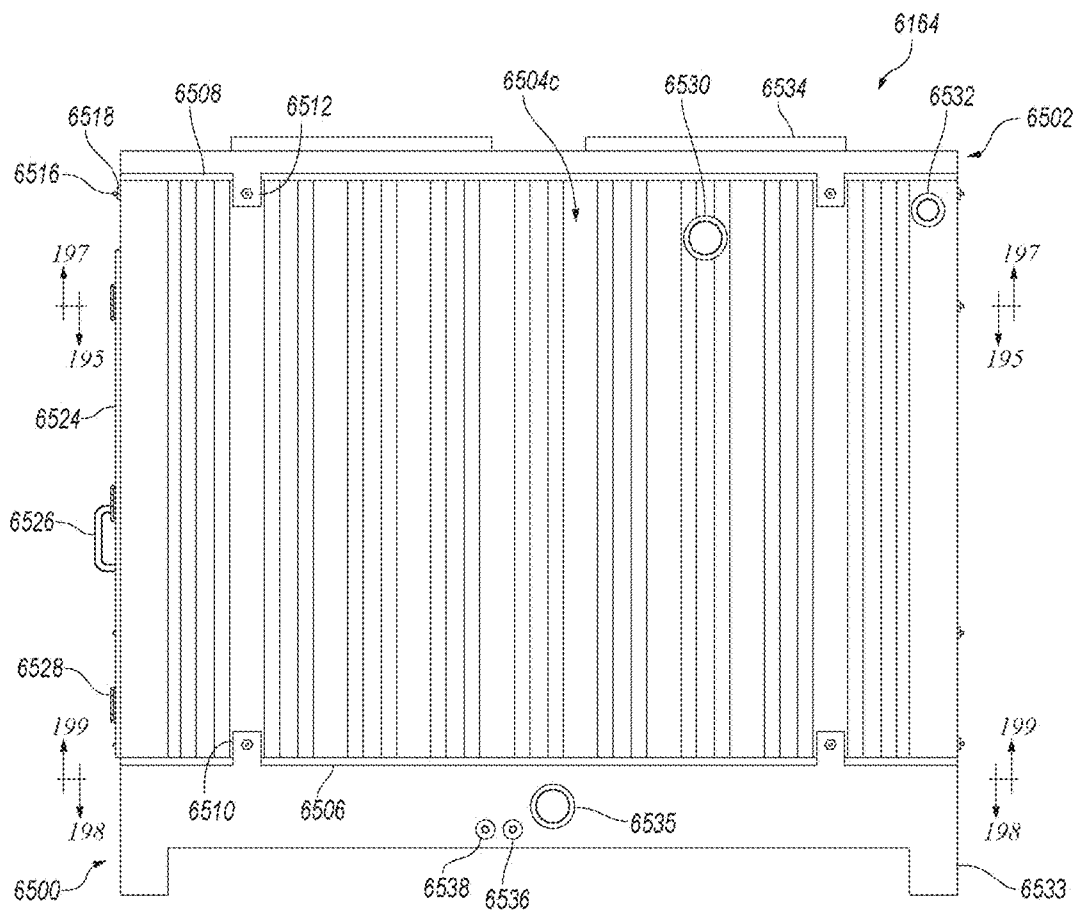
**Fig. 188**



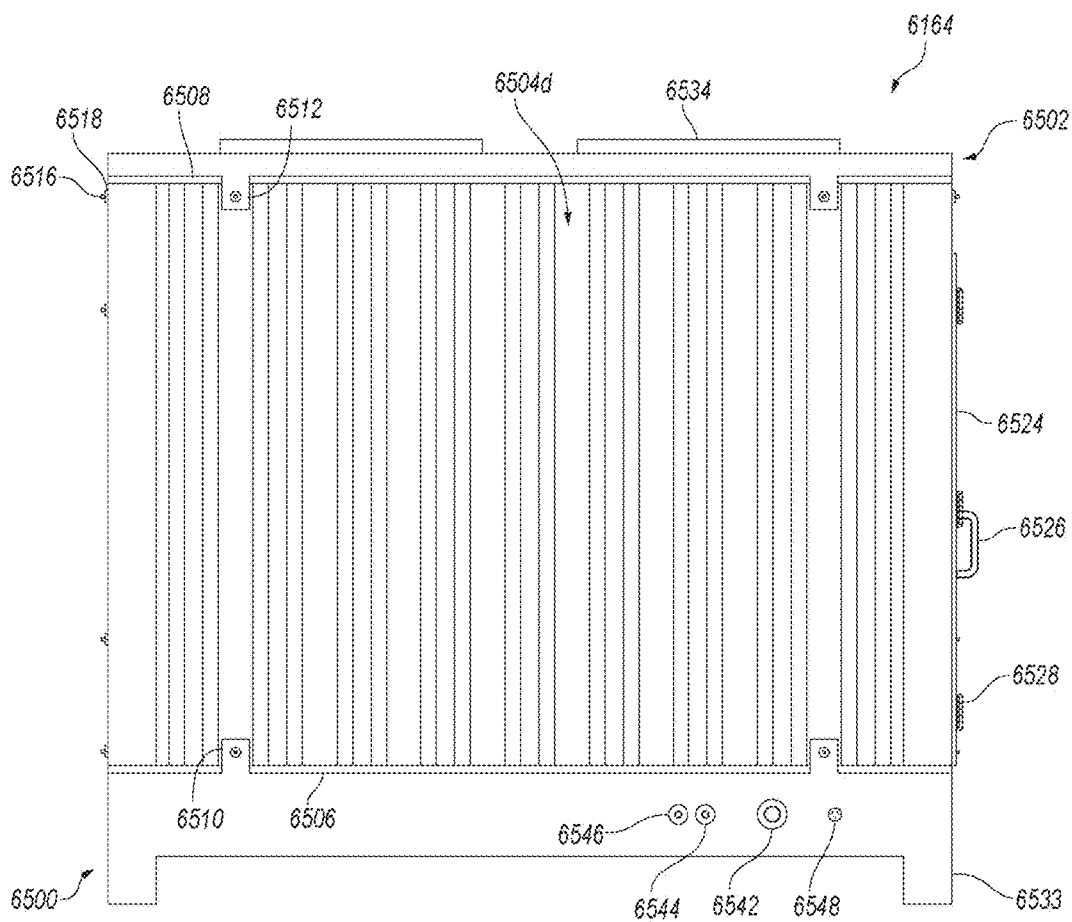
**Fig. 189**



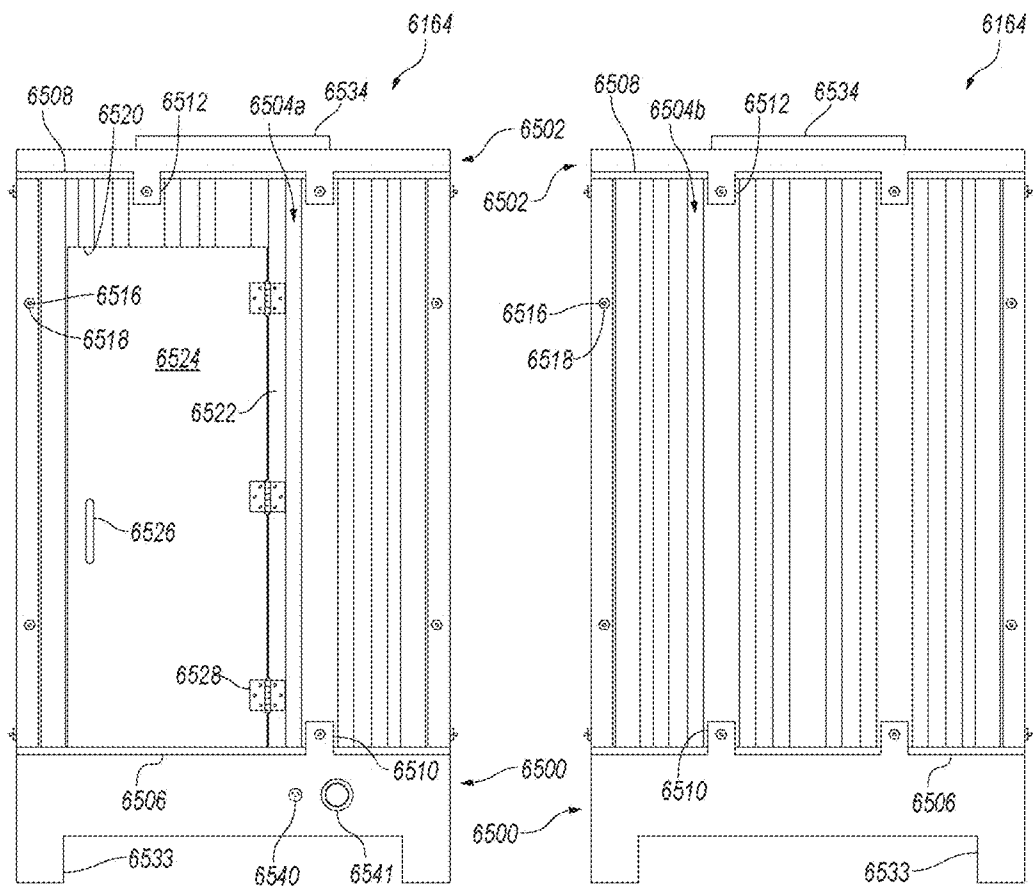
**Fig. 190**



**Fig. 191**

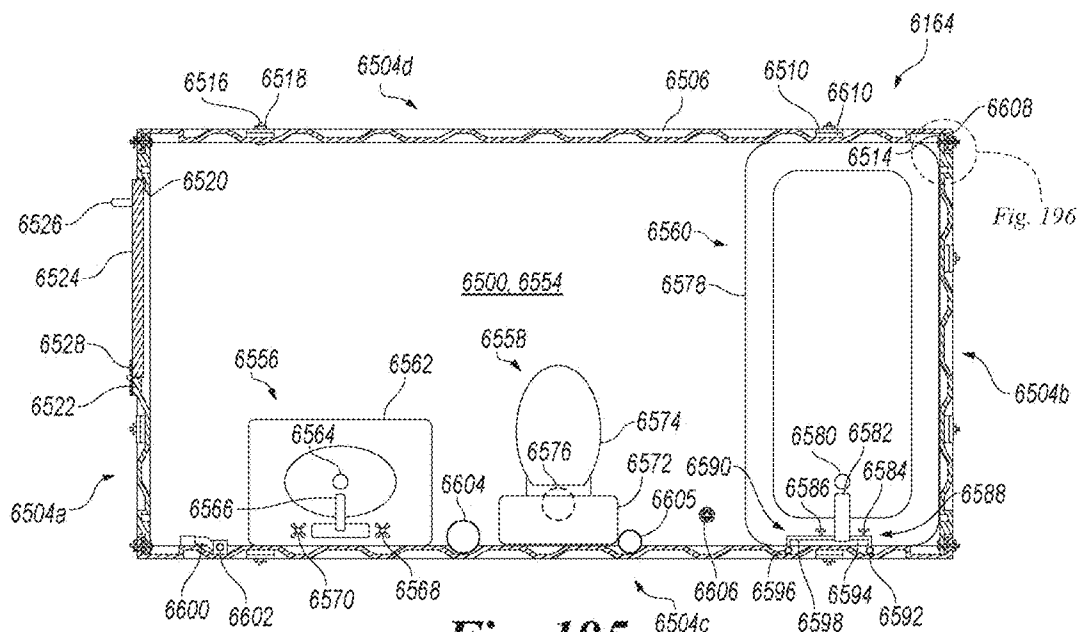


**Fig. 192**

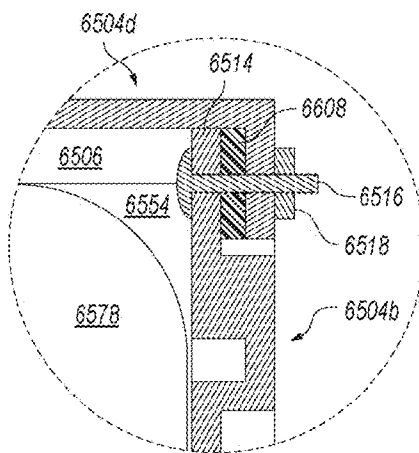


**Fig. 193**

**Fig. 194**



**Fig. 195**



**Fig. 196**



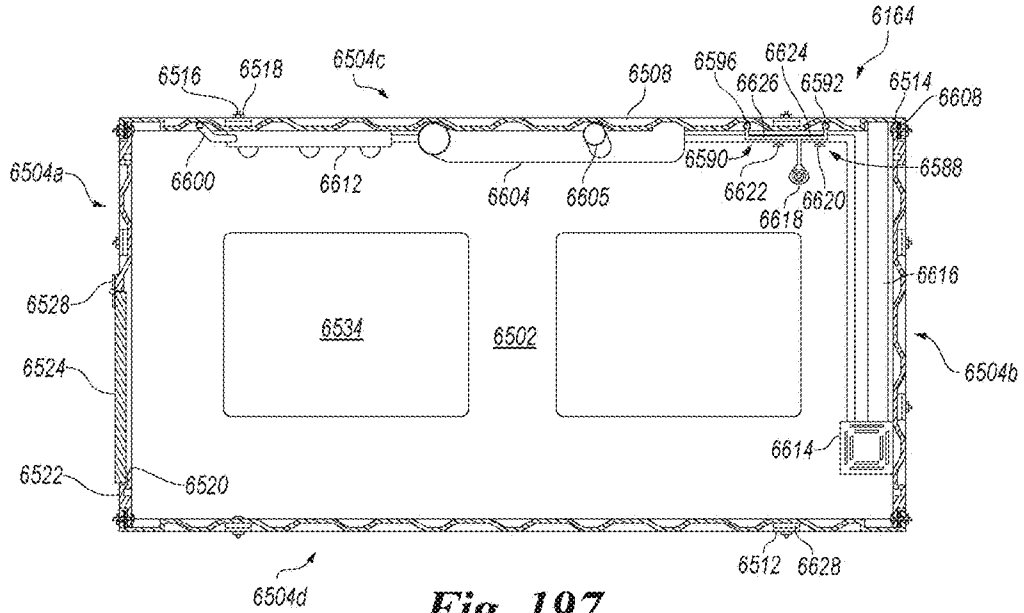


Fig. 197

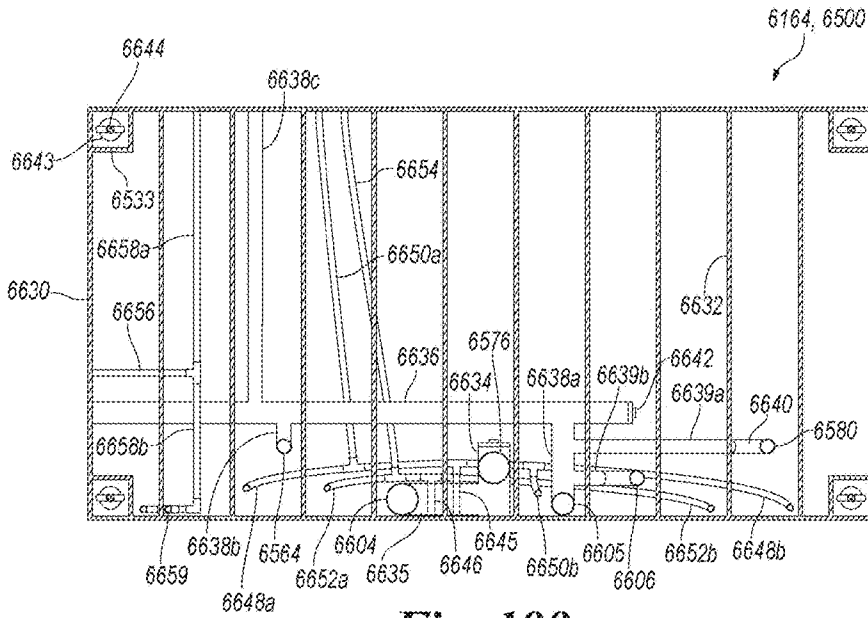
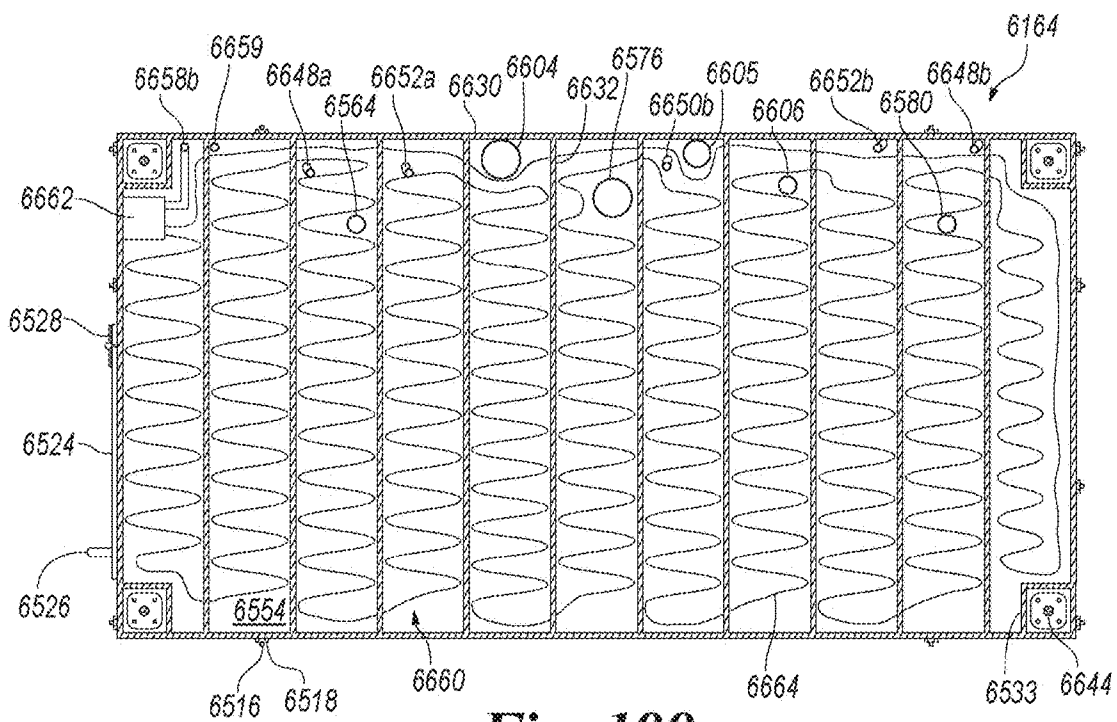


Fig. 198



**Fig. 199**

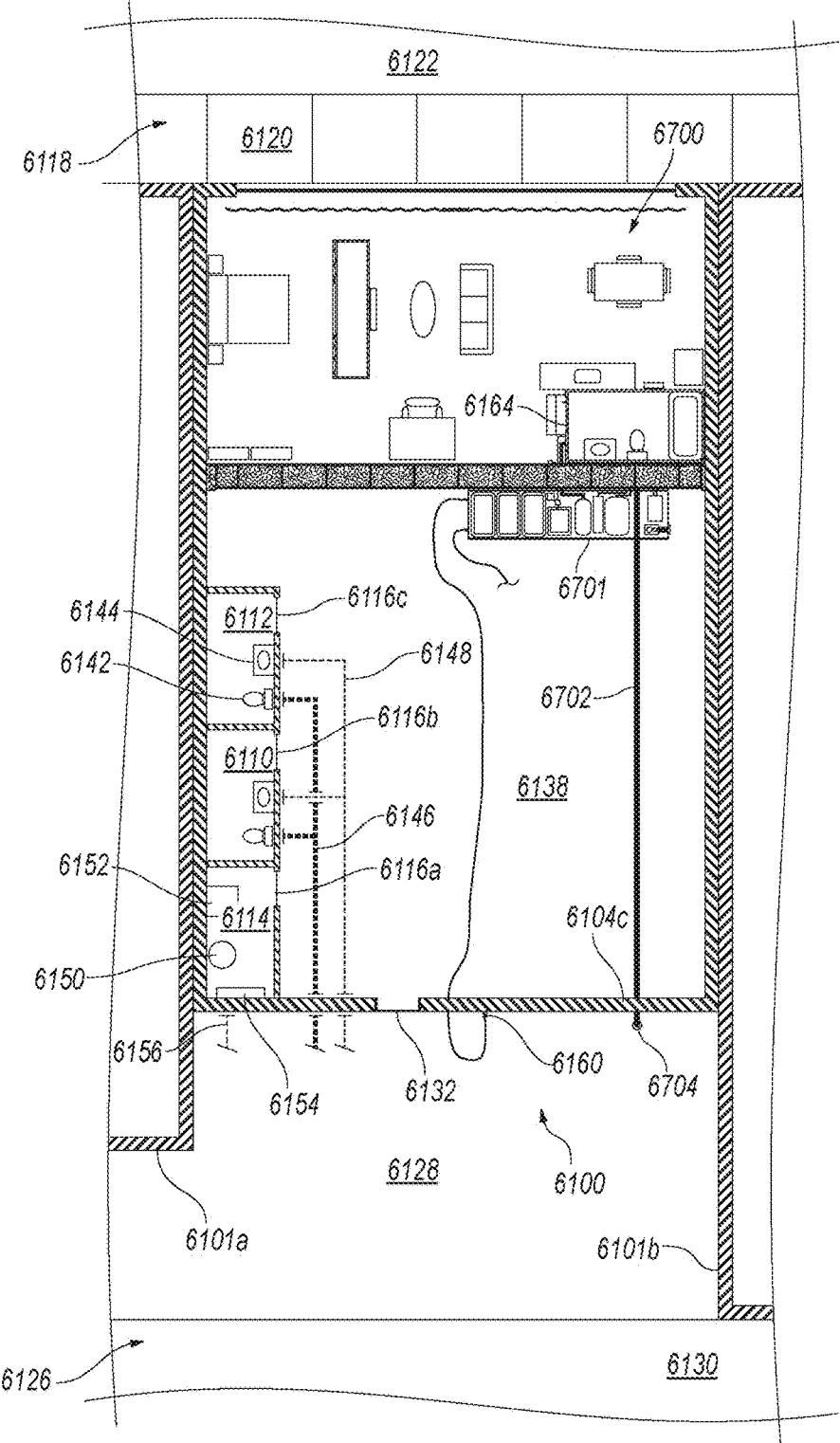


Fig. 200

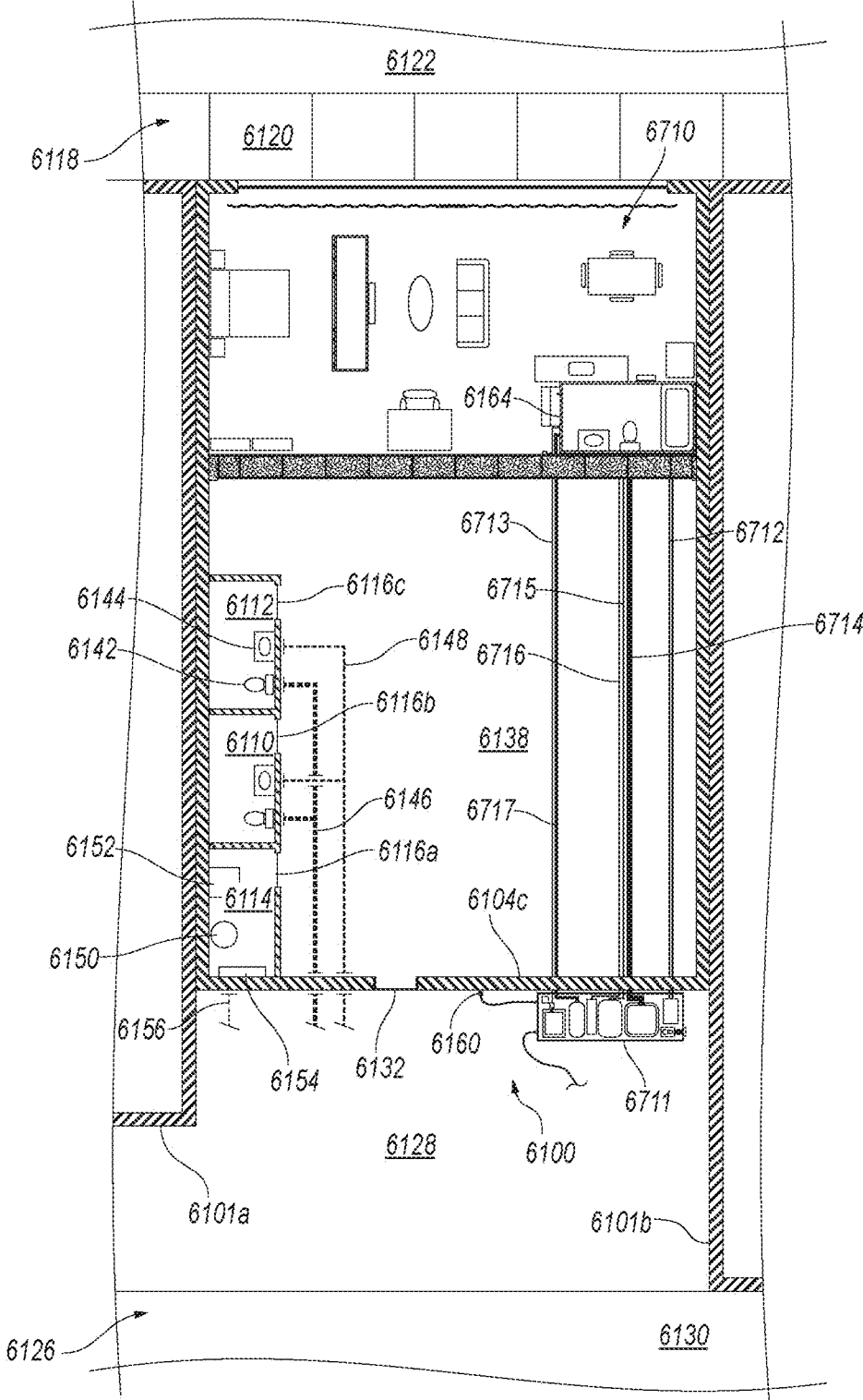


Fig. 201

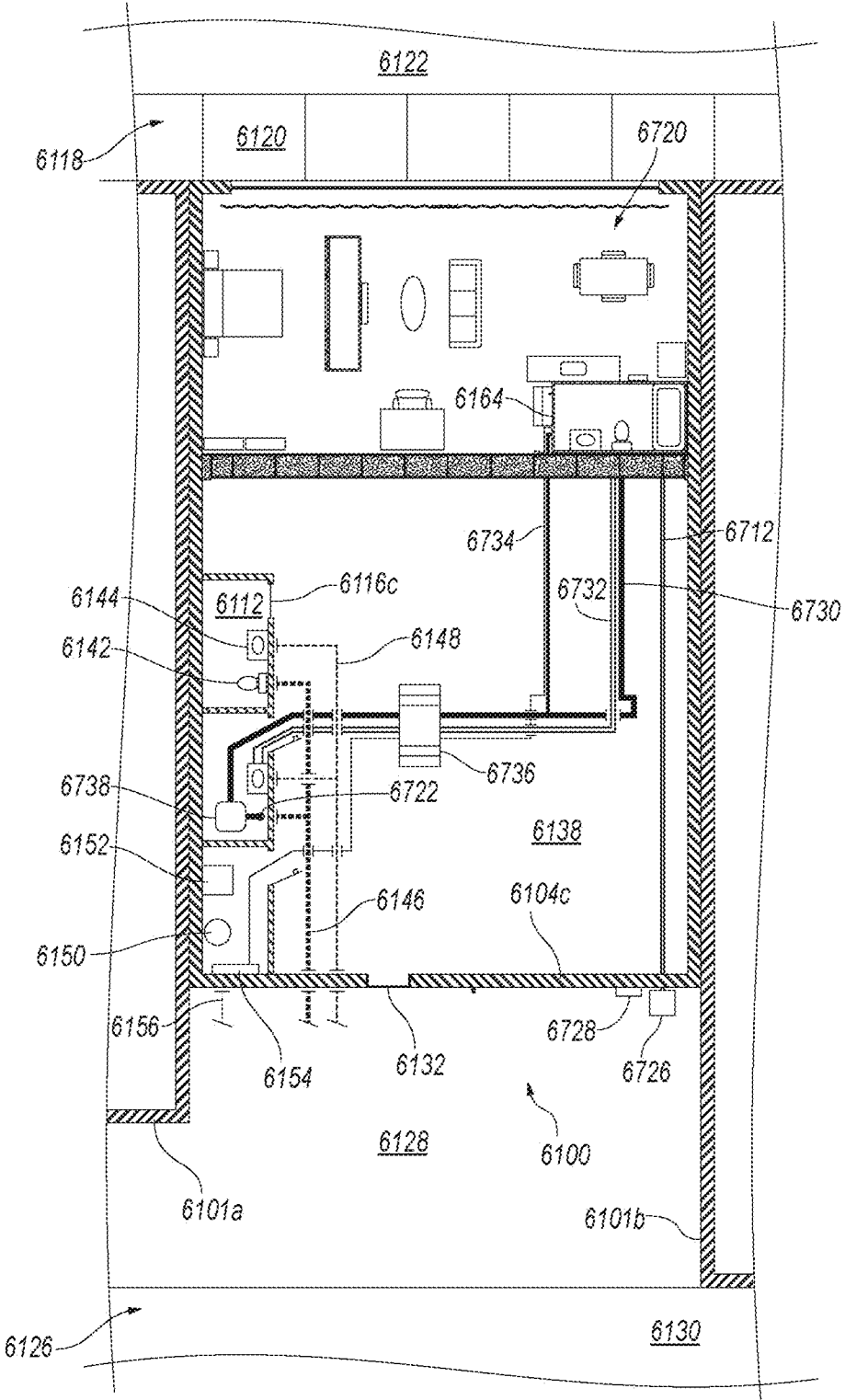


Fig. 202

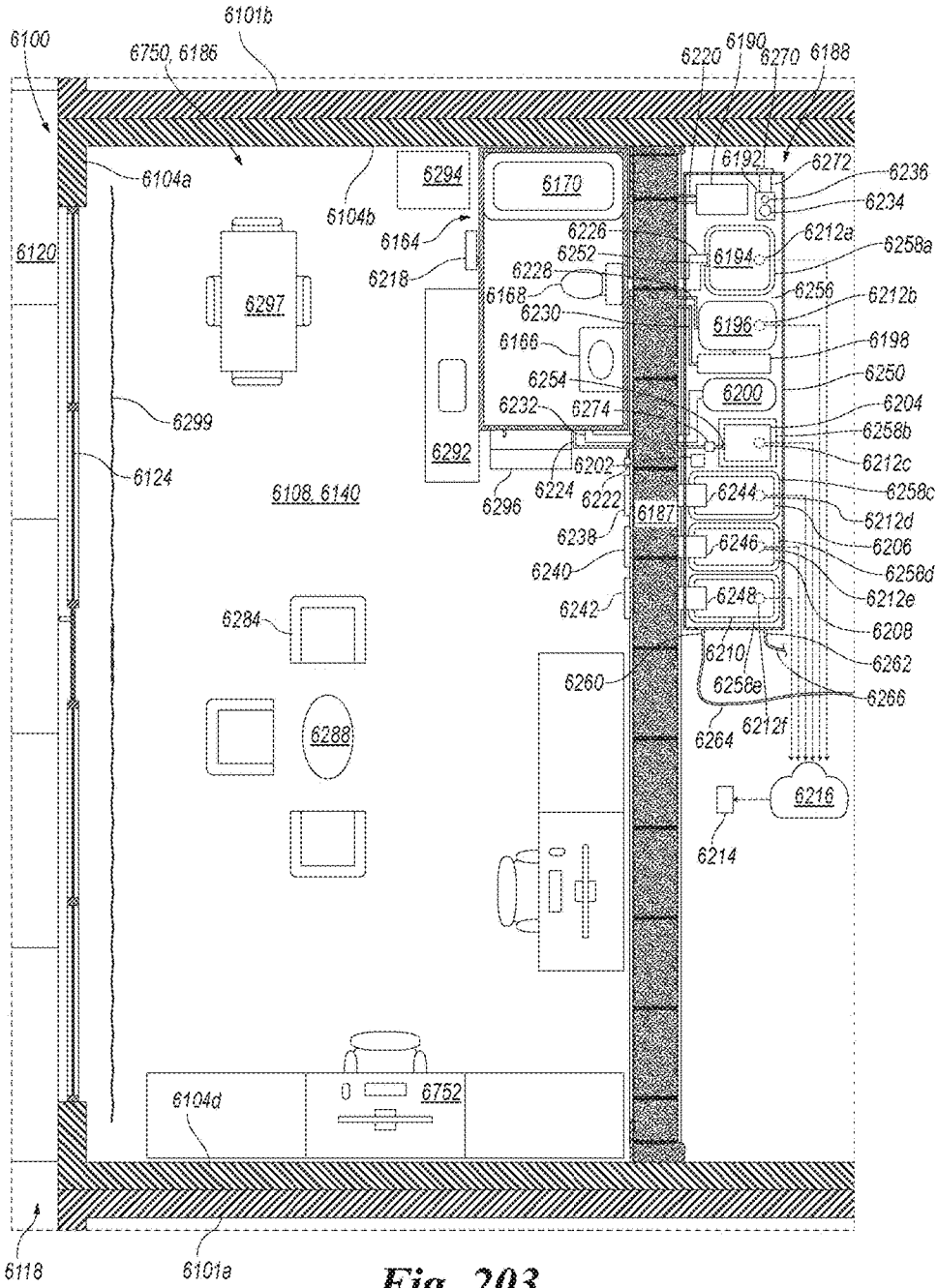


Fig. 203

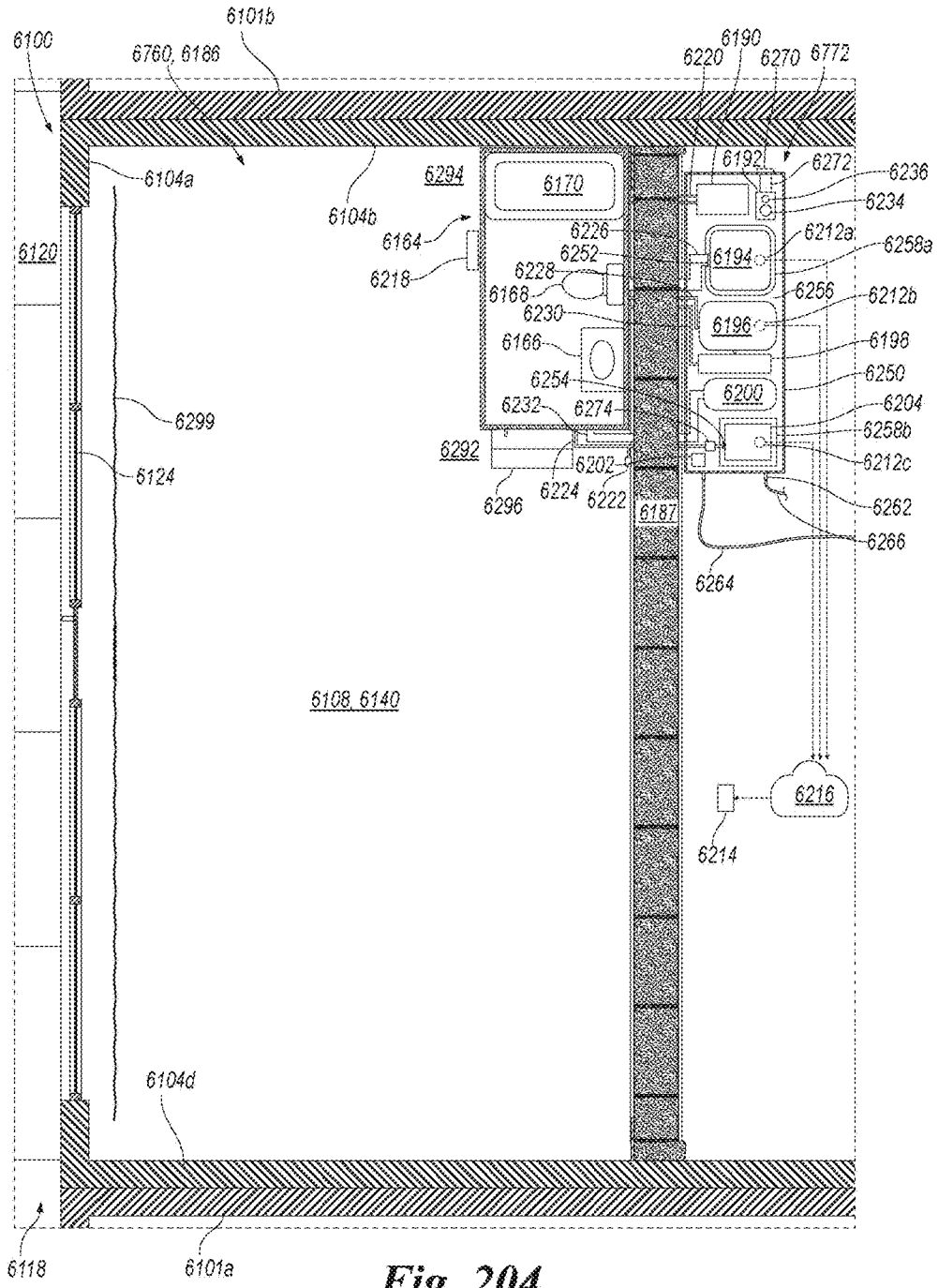


Fig. 204

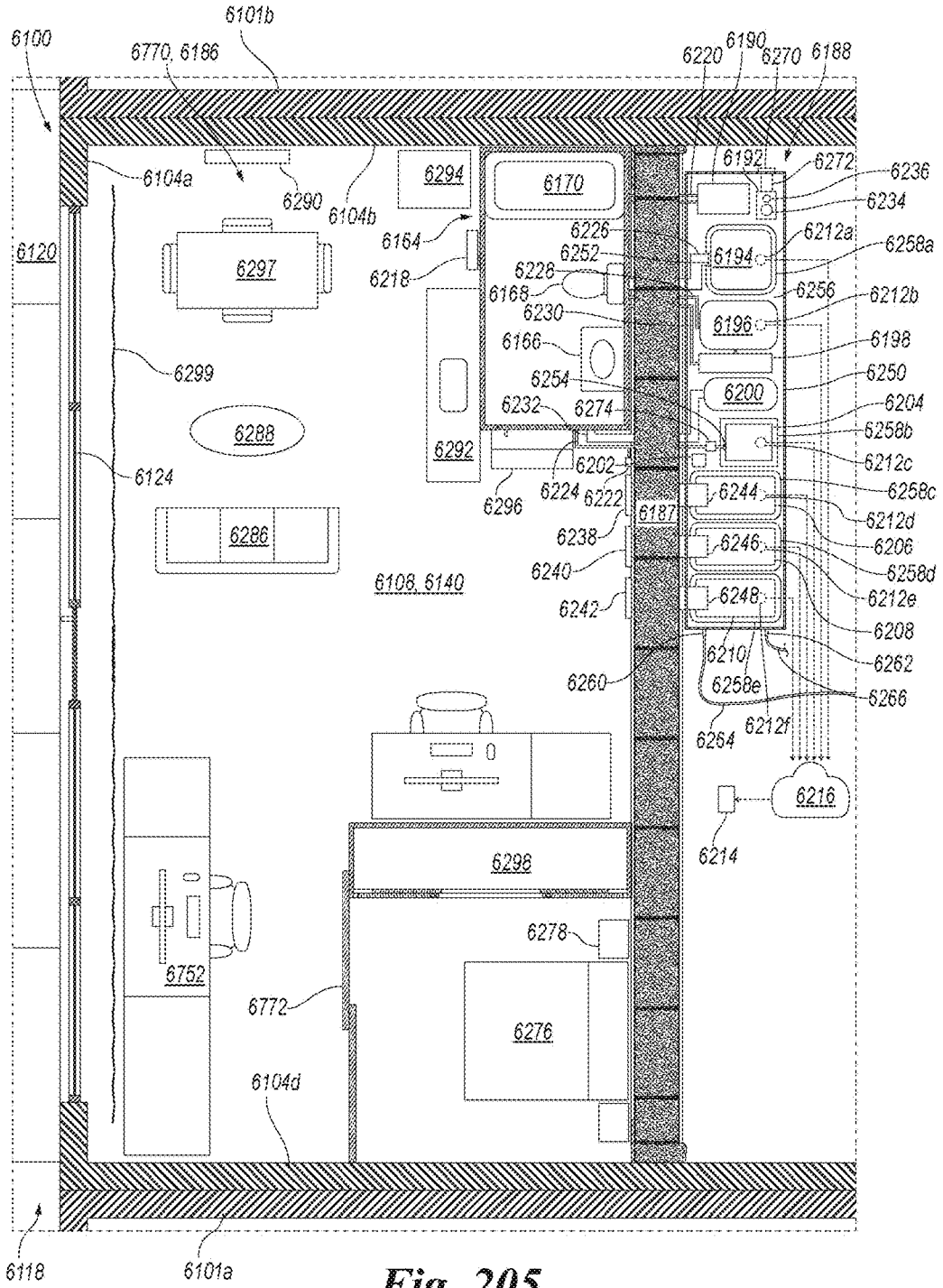


Fig. 205



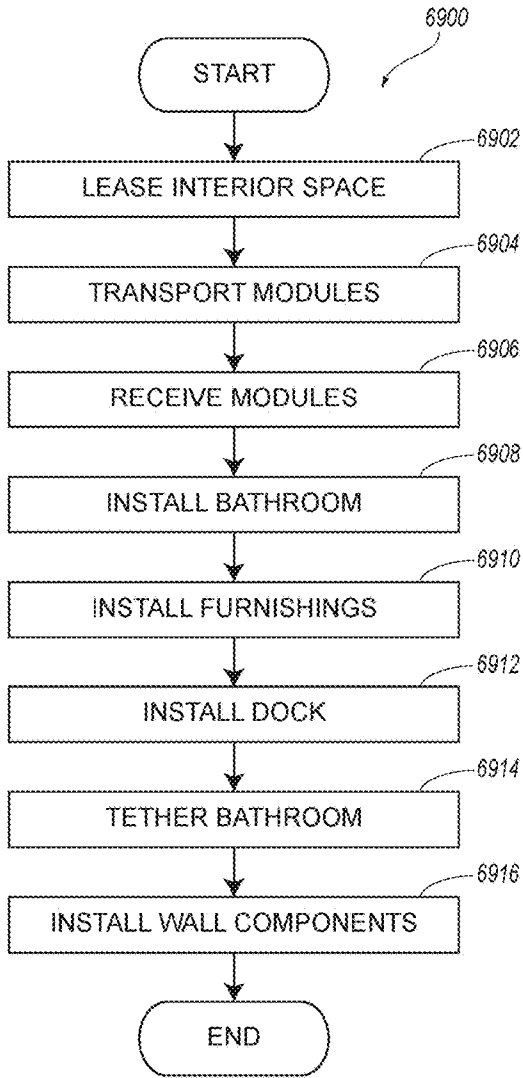


Fig. 206

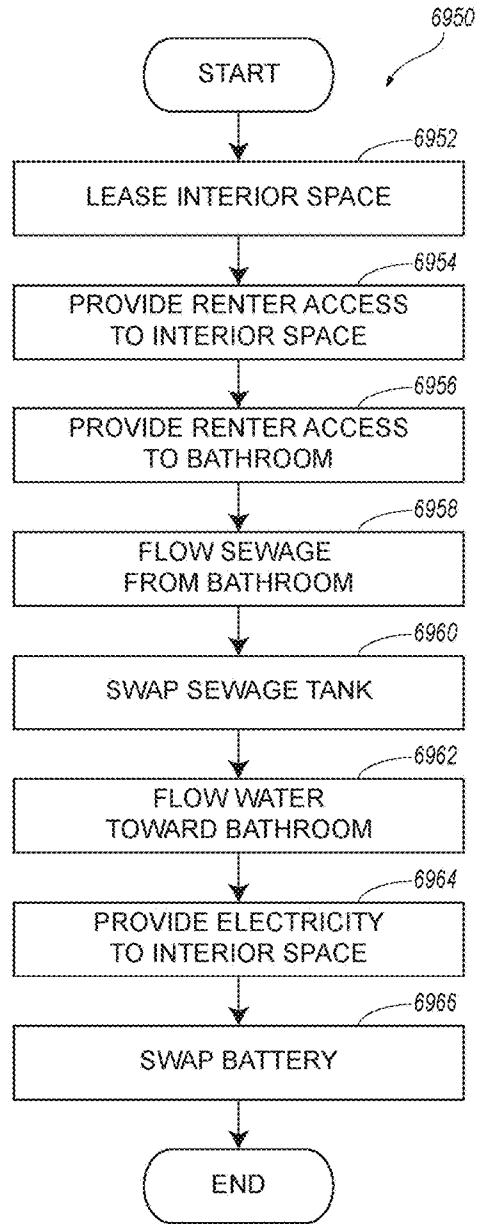


Fig. 207

**RETROFITTED REAL ESTATE AND RELATED TECHNOLOGY**

**CROSS-REFERENCE TO RELATED APPLICATIONS INCORPORATED BY REFERENCE**

[0001] This is a continuation-in-part of U.S. patent application Ser. No. 15/140,785, filed Apr. 28, 2016, entitled “Dynamic Interstitial Hotels and Related Technology,” which claims the benefit of prior U.S. Provisional Patent Application No. 62/154,209, filed Apr. 29, 2015.

[0002] This is a continuation-in-part of U.S. patent application Ser. No. 15/263,527, filed Sep. 13, 2016, entitled “School Spaces Retrofitted for Alternative Uses and Related Technology,” which claims the benefit of prior U.S. Patent Application No. 62/222,750, filed Sep. 23, 2015.

[0003] This is a continuation-in-part of U.S. patent application Ser. No. 15/390,731, filed Dec. 27, 2016, entitled “Garages Retrofitted for Alternative Uses and Related Technology,” which claims the benefit of prior U.S. Patent Application No. 62/273,700, filed Dec. 31, 2015.

[0004] This is a continuation-in-part of U.S. patent application Ser. No. 15/456,523, filed Mar. 11, 2017, entitled “Commercial Loading, Storage, Parking, and Vehicle-Servicing Spaces Retrofitted for Alternative Uses and Related Technology,” which claims the benefit of prior U.S. Patent Application No. 62/310,045, filed Mar. 18, 2016.

[0005] This is a continuation of U.S. patent application Ser. No. 15/675,745, filed Aug. 13, 2017, entitled “Commercial Storefront Spaces Retrofitted for Alternative Uses and Related Technology,” which claims the benefit of prior U.S. Patent Application No. 62/375,903, filed Aug. 17, 2016.

[0006] The foregoing applications (i.e., U.S. Patent Application Nos. 62/154,209, 62/222,750, 62/273,700, 62/310,045, 62/375,903, Ser. Nos. 15/140,785, 15/263,527, 15/390,731, 15/456,523, and 15/675,745) are incorporated herein by reference in their entireties. To the extent the foregoing applications or any other material incorporated herein by reference conflicts with the present disclosure, the present disclosure controls.

**TECHNICAL FIELD**

[0007] This disclosure is related to real estate technology.

**BACKGROUND**

[0008] Building conventional real estate is capital intensive and slow. Accordingly, short-term changes in demand for real estate do not conventionally lead to rapid changes in real estate capacity. For example, markets with high demand for real estate often suffer from insufficient real estate capacity for years before new conventional real estate projects are approved and completed. Peer-to-peer real estate networks mitigate this problem to some degree, but have other significant disadvantages, such as high transaction costs, inconsistent quality, and regulatory issues. Independent of these problems, valuable real estate in major urban areas is often unutilized or under utilized. These and other aspects of conventional real estate represent inefficiencies with the potential to be at least partially addressed by innovation.

**BRIEF DESCRIPTION OF THE DRAWINGS**

[0009] Many aspects of the present technology can be better understood with reference to the following drawings. The relative dimensions in the drawings may be to scale with respect to some embodiments of the present technology. With respect to other embodiments, the drawings may not be to scale. The drawings may also be enlarged arbitrarily. For clarity of illustration, reference-number labels for analogous components or features may be omitted when the appropriate reference-number labels for such analogous components or features are clear in the context of the specification and all of the drawings considered together. Furthermore, the same reference numbers may be used to identify analogous components or features in multiple described embodiments.

[0010] FIG. 1 is a top plan view of an urban area and a hotel in accordance with an embodiment of the present technology at the urban area.

[0011] FIG. 2 is a front profile view of a first block of the urban area shown in FIG. 1.

[0012] FIG. 3 is a cross-sectional top plan view of a building at the first block of the urban area shown in FIG. 1 taken along the line A-A in FIG. 2 with an interior region within the building in a first state.

[0013] FIG. 4 is a cross-sectional top plan view of the building at the first block of the urban area shown in FIG. 1 taken along the line A-A in FIG. 2 and showing a lodging unit of the hotel shown in FIG. 1, the lodging unit including the interior region within the building in a second state.

[0014] FIGS. 5, 6, 7 and 8 are, respectively, a first side profile view, an opposite second side profile view, a first end profile view, and an opposite second end profile view of a bathroom of the lodging unit shown in FIG. 4.

[0015] FIG. 9 is a cross-sectional top plan view of the bathroom of the lodging unit shown in FIG. 4 taken along the line 9-9 in FIG. 5.

[0016] FIG. 10 is an enlarged view of a portion of FIG. 9.

[0017] FIG. 11 is a cross-sectional bottom plan view of the bathroom of the lodging unit shown in FIG. 4 taken along the line 11-11 in FIG. 5.

[0018] FIG. 12 is a cross-sectional top plan view of the bathroom of the lodging unit shown in FIG. 4 taken along the line 12-12 in FIG. 5.

[0019] FIG. 13 is a cross-sectional bottom plan view of the bathroom of the lodging unit shown in FIG. 4 taken along the line 13-13 in FIG. 5.

[0020] FIG. 14 is a front profile view of a second block of the urban area shown in FIG. 1.

[0021] FIG. 15 is a cross-sectional top plan view of a building at the second block of the urban area shown in FIG. 1 taken along the line B-B in FIG. 14 with interior regions within the building in the first state.

[0022] FIG. 16 is a cross-sectional top plan view of the building at the second block of the urban area shown in FIG. 1 taken along the line B-B in FIG. 14 and showing a cluster of lodging units of the hotel shown in FIG. 1, the cluster of lodging units including the interior regions within the building in the second state.

[0023] FIG. 17 is top plan view of a set of wall components in accordance with an embodiment of the present technology.

[0024] FIG. 18 is an enlarged view of a portion of FIG. 16.

[0025] FIG. 19 is a cross-sectional exterior side profile view of a portion of the cluster of lodging units shown in FIG. 16 corresponding to the portion of FIG. 16 shown in FIG. 18.

[0026] FIG. 20 is an enlarged view of a portion of FIG. 19.

[0027] FIG. 21 is side profile view of a wall component of a compartmentalizing assembly of the hotel shown in FIG. 1.

[0028] FIG. 22 is a cross-sectional top plan view of the wall component of the compartmentalizing assembly of the hotel shown in FIG. 1 taken along the line 22-22 in FIG. 21.

[0029] FIG. 23 is a cross-sectional end profile view of the wall component of the compartmentalizing assembly of the hotel shown in FIG. 1 taken along the line 23-23 in FIG. 21.

[0030] FIG. 24 is an enlarged view of a portion of FIG. 23.

[0031] FIG. 25 is a cross-sectional top plan view of the building at the second block of the urban area shown in FIG. 1 taken along the line B-B in FIG. 14 and showing a cluster of lodging units of a hotel in accordance with another embodiment of the present technology, the cluster of lodging units including the interior regions within the building in the second state.

[0032] FIG. 26 is an enlarged view of a portion of FIG. 25.

[0033] FIG. 27 is a cross-sectional exterior side profile view of a portion of the cluster of lodging units shown in FIG. 25 corresponding to the portion of FIG. 25 shown in FIG. 26.

[0034] FIG. 28 is a cross-sectional top plan view of the building at the second block of the urban area shown in FIG. 1 taken along the line B-B in FIG. 14 and showing a cluster of lodging units of a hotel in accordance with another embodiment of the present technology, the cluster of lodging units including the interior regions within the building in the second state.

[0035] FIG. 29 is a front profile view of a third block of the urban area shown in FIG. 1.

[0036] FIG. 30 is a cross-sectional top plan view of buildings at the third block of the urban area shown in FIG. 1 taken along the line C-C in FIG. 29 with interior regions within the buildings in the first state.

[0037] FIGS. 31 and 32 are cross-sectional top plan views of the buildings at the third block of the urban area shown in FIG. 1 taken, respectively, along the lines C-C and 32-32 in FIG. 29 and showing a cluster of lodging units of the hotel shown in FIG. 1, the cluster of lodging units including the interior regions within the buildings in the second state.

[0038] FIG. 33 is an enlarged view of a portion of FIG. 32.

[0039] FIG. 34 is a cross-sectional exterior side profile view of a portion of the cluster of lodging units shown in FIG. 32 corresponding to the portion of FIG. 32 shown in FIG. 33.

[0040] FIG. 35 is a front profile view of a fourth block of the urban area shown in FIG. 1.

[0041] FIG. 36 is a cross-sectional top plan view of buildings at the fourth block of the urban area shown in FIG. 1 taken along the line D-D in FIG. 35 with interior regions within the buildings in the first state.

[0042] FIG. 37 is a cross-sectional top plan view of the buildings at the fourth block of the urban area shown in FIG. 1 taken along the line D-D in FIG. 35 and showing a cluster of lodging units of the hotel shown in FIG. 1, the cluster of lodging units including the interior regions within the buildings in the second state.

[0043] FIG. 38 is a front profile view of a fifth block of the urban area shown in FIG. 1.

[0044] FIG. 39 is a cross-sectional top plan view of a building at the fifth block of the urban area shown in FIG. 1 taken along the line E-E in FIG. 38 with interior regions within the building in the first state.

[0045] FIG. 40 is a cross-sectional top plan view of the building at the fifth block of the urban area shown in FIG. 1 taken along the line E-E in FIG. 38 and showing a cluster of lodging units of the hotel shown in FIG. 1, the cluster of lodging units including the interior regions within the building in the second state.

[0046] FIG. 41 is a front profile view of a sixth block of the urban area shown in FIG. 1.

[0047] FIG. 42 is a cross-sectional top plan view of a building at the sixth block of the urban area shown in FIG. 1 taken along the line F-F in FIG. 41 with an interior region within the building in the first state.

[0048] FIG. 43 is a cross-sectional top plan view of the building at the sixth block of the urban area shown in FIG. 1 taken along the line F-F in FIG. 41 and showing a guest-services hub of the hotel shown in FIG. 1, the guest-services hub including the interior region within the building in the second state.

[0049] FIGS. 44 and 45 are schematic diagrams illustrating a network of hotels in accordance with an embodiment of the present technology.

[0050] FIG. 46 is a block diagram illustrating a method for operating the network of hotels shown in FIGS. 44 and 45 in accordance with an embodiment of the present technology.

[0051] FIG. 47 is an operational diagram showing spring intake and migration of capital within the network of hotels shown in FIGS. 44 and 45.

[0052] FIG. 48 is an operational diagram showing summer intake of capital within the network of hotels shown in FIGS. 44 and 45.

[0053] FIG. 49 is an operational diagram showing fall intake and migration of capital within the network of hotels shown in FIGS. 44 and 45.

[0054] FIG. 50 is an operational diagram showing winter intake of capital within the network of hotels shown in FIGS. 44 and 45.

[0055] FIG. 51 is a front profile view of a school building in a first state.

[0056] FIG. 52 is a top plan view of the school building shown in FIG. 51 in the first state taken along the line G-G in FIG. 51.

[0057] FIG. 53 is a top plan view of a collection of rentable units and associated structures in accordance with an embodiment of the present technology at the school building shown in FIG. 51 in a second state taken along the line G-G in FIG. 51.

[0058] FIGS. 54, 55, 56 and 57 are, respectively, a first side profile view, an opposite second side profile view, a first end profile view, and an opposite second end profile view of a bathroom of the collection shown in FIG. 53.

[0059] FIG. 58 is a cross-sectional top plan view of the bathroom of the collection shown in FIG. 53 taken along the line 58-58 in FIG. 54.

[0060] FIG. 59 is an enlarged view of a portion of FIG. 58.

[0061] FIG. 60 is a cross-sectional bottom plan view of the bathroom of the collection shown in FIG. 53 taken along the line 60-60 in FIG. 54.

[0062] FIG. 61 is a cross-sectional top plan view of the bathroom of the collection shown in FIG. 53 taken along the line 61-61 in FIG. 54.

[0063] FIG. 62 is a cross-sectional bottom plan view of the bathroom of the collection shown in FIG. 53 taken along the line 62-62 in FIG. 54.

[0064] FIG. 63 is top plan view of wall components types included in a compartmentalizing assembly of the collection shown in FIG. 53.

[0065] FIG. 64 is an enlarged view of a portion of FIG. 53.

[0066] FIGS. 65 and 66 are, respectively, a first side profile view and an opposite second side profile view approximately corresponding to the portion of FIG. 53 shown in FIG. 64.

[0067] FIG. 67 is an enlarged view of a portion of FIG. 66.

[0068] FIG. 68 is side profile view of a wall component of the compartmentalizing assembly of the collection shown in FIG. 53.

[0069] FIG. 69 is a cross-sectional top plan view of the wall component of the compartmentalizing assembly of the collection shown in FIG. 53 taken along the line 69-69 in FIG. 68.

[0070] FIG. 70 is a cross-sectional end plan view of the wall component of the compartmentalizing assembly of the collection shown in FIG. 53 taken along the line 70-70 in FIG. 68.

[0071] FIG. 71 is an enlarged view of a portion of FIG. 70.

[0072] FIG. 72 is a top plan view of a portion of a collection of rentable units and associated structures in accordance with another embodiment of the present technology at the school building shown in FIG. 51 in the second state taken along the line 72-72 in FIG. 51.

[0073] FIG. 73 is an enlarged view of a portion of FIG. 72.

[0074] FIG. 74 is a side profile view approximately corresponding to the portion of FIG. 72 shown in FIG. 73 taken along the line 74-74 in FIG. 73.

[0075] FIGS. 75 and 76 are, respectively, top plan views of collections of rentable units and associated structures in accordance with additional embodiments of the present technology at the school building shown in FIG. 51 in the second state taken along the line G-G in FIG. 51.

[0076] FIG. 77 is an enlarged view of a portion of FIG. 76.

[0077] FIGS. 78 and 79 are, respectively, an exterior side profile view and an opposite interior side profile view approximately corresponding to the portion of FIG. 76 shown in FIG. 77.

[0078] FIG. 80 is a top plan view of a doorway of a collection of rentable units and associated structures in accordance with another embodiment of the present technology at the school building shown in FIG. 51 in the second state taken along the line G-G in FIG. 51 and corresponding to the portion shown in FIG. 77.

[0079] FIGS. 81-85 are, respectively, top plan views of collections of rentable units and associated structures in accordance with additional embodiments of the present technology at the school building shown in FIG. 51 in the second state taken along the line G-G in FIG. 51.

[0080] FIG. 86 is a block diagram illustrating a method for making a collection of rentable units and associated structures in accordance with an embodiment of the present technology.

[0081] FIG. 87 is a block diagram illustrating a method for operating a collection of rentable units and associated structures in accordance with an embodiment of the present technology.

[0082] FIG. 88 is a front profile view of a single-family house including an attached garage.

[0083] FIG. 89 is a cross-sectional top plan view of the single-family house shown in FIG. 88 taken along the line H-H in FIG. 88 with the garage in a first state.

[0084] FIG. 90 is an enlarged view of a portion of FIG. 89.

[0085] FIG. 91 is a cross-sectional top plan view corresponding to the portion of FIG. 89 shown in FIG. 90 and showing a real estate unit in accordance with an embodiment of the present technology including an interior region of the garage of the single-family house shown in FIG. 88 with the garage in a second state.

[0086] FIG. 92 is an enlarged view of a first portion of FIG. 91 showing a barrier of the real estate unit.

[0087] FIGS. 93 and 94 are, respectively, a cross-sectional exterior side profile view and a cross-sectional interior side profile view of a portion of the real estate unit shown in FIG. 91 corresponding to the first portion of FIG. 91 shown in FIG. 92.

[0088] FIG. 95 is a top plan view corresponding to the first portion of FIG. 91 shown in FIG. 92 and showing a barrier of a real estate unit in accordance with another embodiment of the present technology.

[0089] FIG. 96 is an enlarged view of a second portion of FIG. 91 showing an exterior enclosure of the real estate unit.

[0090] FIGS. 97 and 98 are cross-sectional exterior side profile views of a portion of the real estate unit shown in FIG. 91 corresponding to the second portion of FIG. 91 shown in FIG. 96 with vegetation of the exterior enclosure shown and not shown, respectively.

[0091] FIG. 99 is an enlarged view of a third portion of FIG. 91.

[0092] FIGS. 100 and 101 are cross-sectional exterior side profile views of a portion of the real estate unit shown in FIG. 91 corresponding to the third portion of FIG. 91 shown in FIG. 99 with vegetation of the exterior enclosure shown and not shown, respectively.

[0093] FIG. 102 is an enlarged view of a portion of FIG. 98.

[0094] FIG. 103 is side profile view of a wall component of the exterior enclosure of the real estate unit shown in FIG. 91.

[0095] FIG. 104 is a cross-sectional top plan view of the wall component of the exterior enclosure of the real estate unit shown in FIG. 91 taken along the line 104-104 in FIG. 103.

[0096] FIG. 105 is a cross-sectional bottom plan view of the wall component of the exterior enclosure of the real estate unit shown in FIG. 91 taken along the line 105-105 in FIG. 103.

[0097] FIG. 106 is a cross-sectional end plan view of the wall component of the exterior enclosure of the real estate unit shown in FIG. 91 taken along the line 106-106 in FIG. 103.

[0098] FIG. 107 is an enlarged view of a portion of FIG. 106.

[0099] FIGS. 108, 109, 110 and 111 are, respectively, a first side profile view, an opposite second side profile view, a first end profile view, and an opposite second end profile view of a bathroom of the real estate unit shown in FIG. 91.

[0100] FIG. 112 is a cross-sectional top plan view of the bathroom of the real estate unit shown in FIG. 91 taken along the line 112-112 in FIG. 108.

[0101] FIG. 113 is an enlarged view of a portion of FIG. 112.

[0102] FIG. 114 is a cross-sectional bottom plan view of the bathroom of the real estate unit shown in FIG. 91 taken along the line 114-114 in FIG. 108.

[0103] FIG. 115 is a cross-sectional top plan view of the bathroom of the real estate unit shown in FIG. 91 taken along the line 115-115 in FIG. 108.

[0104] FIG. 116 is a cross-sectional bottom plan view of the bathroom of the real estate unit shown in FIG. 91 taken along the line 116-116 in FIG. 108.

[0105] FIG. 117 is a cross-sectional top plan view corresponding to the portion of FIG. 89 shown in FIG. 90 and showing a real estate unit in accordance with another embodiment of the present technology including the interior region of the garage of the single-family house shown in FIG. 88 with the garage in the second state.

[0106] FIG. 118 is a cross-sectional top plan view corresponding to the portion of FIG. 89 shown in FIG. 90 and showing a real estate unit in accordance with another embodiment of the present technology including the interior region of the garage of the single-family house shown in FIG. 88 with the garage in the second state.

[0107] FIG. 119 is a cross-sectional top plan view of a real estate unit in accordance with another embodiment of the present technology including an interior region of a three-car garage in the second state.

[0108] FIG. 120 is a cross-sectional top plan view of a real estate unit in accordance with another embodiment of the present technology including the interior region of the three-car garage in the second state.

[0109] FIG. 121 is a cross-sectional top plan view of a real estate unit in accordance with another embodiment of the present technology including an interior region of a detached one-car garage in the second state.

[0110] FIG. 122 is a cross-sectional top plan view of a real estate unit in accordance with another embodiment of the present technology including an interior region of a detached two-car garage in the second state.

[0111] FIG. 123 is a cross-sectional top plan view of a real estate unit in accordance with another embodiment of the present technology including an interior region of a detached two-car garage in the second state.

[0112] FIG. 124 is a block diagram illustrating a method for retrofitting a garage to form at least a portion of a real estate unit in accordance with an embodiment of the present technology.

[0113] FIG. 125 is a block diagram illustrating a method for operating a real estate unit in accordance with an embodiment of the present technology.

[0114] FIG. 126 is a back profile view of a commercial building.

[0115] FIG. 127 is a cross-sectional top plan view of the commercial building shown in FIG. 126 taken along the line I-I in FIG. 126 with an interior space within the commercial building in a first state.

[0116] FIG. 128 is an enlarged view of a portion of FIG. 127.

[0117] FIG. 129 is a cross-sectional top plan view of a portion of the commercial building shown in FIG. 126 corresponding to the portion of FIG. 127 shown in FIG. 128

and showing a real estate unit in accordance with an embodiment of the present technology including the interior space within the commercial building in a second state.

[0118] FIG. 130 is an enlarged view of a first portion of FIG. 129.

[0119] FIGS. 131 and 132 are, respectively, a cross-sectional exterior side profile view and a cross-sectional interior side profile view of a portion of the real estate unit shown in FIG. 129 corresponding to the first portion of FIG. 129 shown in FIG. 130.

[0120] FIG. 133 is a cross-sectional top plan view of a portion of a real estate unit in accordance with another embodiment of the present technology corresponding to the first portion of FIG. 129 shown in FIG. 130.

[0121] FIG. 134 is an enlarged view of a second portion of FIG. 129.

[0122] FIG. 135 is a cross-sectional exterior side profile view of a portion of the real estate unit shown in FIG. 129 corresponding to the second portion of FIG. 129 shown in FIG. 134.

[0123] FIG. 136 is a cross-sectional exterior side profile view of the portion of the real estate unit shown in FIG. 129 corresponding to the second portion of FIG. 129 shown in FIG. 134 with vegetation of an exterior enclosure of the real estate unit not shown.

[0124] FIG. 137 is an enlarged view of a portion of FIG. 136.

[0125] FIG. 138 is side profile view of an exterior wall component of the exterior enclosure of the real estate unit shown in FIG. 129.

[0126] FIG. 139 is a cross-sectional top plan view of the exterior wall component of the exterior enclosure of the real estate unit shown in FIG. 129 taken along the line 139-139 in FIG. 138.

[0127] FIG. 140 is a cross-sectional bottom plan view of the exterior wall component of the exterior enclosure of the real estate unit shown in FIG. 129 taken along the line 140-140 in FIG. 138.

[0128] FIG. 141 is a cross-sectional end profile view of the exterior wall component of the exterior enclosure of the real estate unit shown in FIG. 129 taken along the line 141-141 in FIG. 138.

[0129] FIG. 142 is an enlarged view of a portion of FIG. 141.

[0130] FIG. 143 is an enlarged view of a third portion of FIG. 129.

[0131] FIGS. 144 and 145 are, respectively, a cross-sectional exterior side profile view and a cross-sectional interior side profile view of a portion of the real estate unit shown in FIG. 129 corresponding to the third portion of FIG. 129 shown in FIG. 143.

[0132] FIG. 146 is an enlarged view of a portion of FIG. 145.

[0133] FIG. 147 is side profile view of an interior wall component of a compartmentalizing assembly of the real estate unit shown in FIG. 129.

[0134] FIG. 148 is a cross-sectional top plan view of the interior wall component of the compartmentalizing assembly of the real estate unit shown in FIG. 129 taken along the line 148-148 in FIG. 147.

[0135] FIG. 149 is a cross-sectional end profile view of the interior wall component of the compartmentalizing assembly of the real estate unit shown in FIG. 129 taken along the line 149-149 in FIG. 147.

[0136] FIG. 150 is an enlarged view of a portion of FIG. 149.

[0137] FIG. 151 is a cross-sectional top plan view of a real estate unit in accordance with another embodiment of the present technology including the interior space within the commercial building shown in FIG. 126 taken along the line 151-151 in FIG. 126 with the interior space in the second state.

[0138] FIG. 152 is an enlarged view of a portion of FIG. 151.

[0139] FIG. 153 is a cross-sectional exterior side profile view of a portion of the real estate unit shown in FIG. 151 corresponding to the portion of FIG. 151 shown in FIG. 152.

[0140] FIGS. 154, 155, 156 and 157 are, respectively, a first side profile view, an opposite second side profile view, a first end profile view, and an opposite second end profile view of a bathroom of the real estate unit shown in FIG. 129.

[0141] FIG. 158 is a cross-sectional top plan view of the bathroom of the real estate unit shown in FIG. 129 taken along the line 158-158 in FIG. 154.

[0142] FIG. 159 is an enlarged view of a portion of FIG. 158.

[0143] FIG. 160 is a cross-sectional bottom plan view of the bathroom of the real estate unit shown in FIG. 129 taken along the line 160-160 in FIG. 154.

[0144] FIG. 161 is a cross-sectional top plan view of the bathroom of the real estate unit shown in FIG. 129 taken along the line 161-161 in FIG. 154.

[0145] FIG. 162 is a cross-sectional bottom plan view of the bathroom of the real estate unit shown in FIG. 129 taken along the line 162-162 in FIG. 154.

[0146] FIGS. 163-167 are, respectively, cross-sectional top plan views of real estate units in accordance with additional embodiments of the present technology including the interior space within the commercial building shown in FIG. 126 taken along the line I-I in FIG. 126 with the interior space in the second state.

[0147] FIG. 168 is a front profile view of a block of an urban area.

[0148] FIG. 169 is a cross-sectional top plan view of commercial buildings at the block shown in FIG. 168 taken along the line J-J in FIG. 168 with interior spaces within the commercial buildings in a first state.

[0149] FIG. 170 is a cross-sectional top plan view of the commercial buildings shown in FIG. 168 taken along the line J-J in FIG. 168 and showing a real estate complex including real estate units in accordance with an embodiment of the present technology respectively including the interior spaces within the commercial buildings in the second state.

[0150] FIG. 171 is a front profile view of a mini-storage complex.

[0151] FIG. 172 is a cross-sectional top plan view of mini-storage buildings within the mini-storage complex shown in FIG. 171 taken along the line K-K in FIG. 171 with interior spaces within the mini-storage buildings in a first state.

[0152] FIG. 173 is a cross-sectional top plan view of the mini-storage buildings shown in FIG. 172 taken along the line K-K in FIG. 171 and showing a real estate complex including real estate units in accordance with an embodiment of the present technology respectively including the interior spaces within the mini-storage buildings in the second state.

[0153] FIG. 174 is a block diagram illustrating a method for making a real estate unit in accordance with an embodiment of the present technology.

[0154] FIG. 175 is a block diagram illustrating a method for operating a real estate unit in accordance with an embodiment of the present technology.

[0155] FIG. 176 is a front profile view of a commercial building.

[0156] FIG. 177 is a cross-sectional top plan view of the commercial building shown in FIG. 176 taken along the line L-L in FIG. 176 with an interior space within the commercial building in a first state.

[0157] FIG. 178 is an enlarged view of a portion of FIG. 177.

[0158] FIG. 179 is a cross-sectional top plan view of a portion of the commercial building shown in FIG. 176 corresponding to the portion of FIG. 177 shown in FIG. 178 and showing a real estate unit in accordance with an embodiment of the present technology including the interior space within the commercial building in a second state.

[0159] FIG. 180 is an enlarged view of a portion of FIG. 179.

[0160] FIGS. 181 and 182 are, respectively, a cross-sectional exterior side profile view and a cross-sectional interior side profile view of a portion of the real estate unit shown in FIG. 179 corresponding to the portion of FIG. 179 shown in FIG. 180.

[0161] FIG. 183 is an enlarged view of a portion of FIG. 182.

[0162] FIG. 184 is side profile view of a wall component of the real estate unit shown in FIG. 179.

[0163] FIG. 185 is a cross-sectional top plan view of the wall component of the real estate unit shown in FIG. 179 taken along the line 185-185 in FIG. 184.

[0164] FIG. 186 is a cross-sectional end profile view of the wall component of the real estate unit shown in FIG. 179 taken along the line 186-186 in FIG. 184.

[0165] FIG. 187 is an enlarged view of a portion of FIG. 186.

[0166] FIG. 188 is a cross-sectional top plan view of a real estate unit in accordance with another embodiment of the present technology including the interior space within the commercial building shown in FIG. 176 taken along the line 188-188 in FIG. 176 with the interior space in the second state.

[0167] FIG. 189 is an enlarged view of a portion of FIG. 188.

[0168] FIG. 190 is a cross-sectional exterior side profile view of a portion of the real estate unit shown in FIG. 188 corresponding to the portion of FIG. 188 shown in FIG. 189.

[0169] FIGS. 191, 192, 193 and 194 are, respectively, a first side profile view, an opposite second side profile view, a first end profile view, and an opposite second end profile view of a bathroom of the real estate unit shown in FIG. 179.

[0170] FIG. 195 is a cross-sectional top plan view of the bathroom of the real estate unit shown in FIG. 179 taken along the line 195-195 in FIG. 191.

[0171] FIG. 196 is an enlarged view of a portion of FIG. 195.

[0172] FIG. 197 is a cross-sectional bottom plan view of the bathroom of the real estate unit shown in FIG. 179 taken along the line 197-197 in FIG. 191.

[0173] FIG. 198 is a cross-sectional top plan view of the bathroom of the real estate unit shown in FIG. 179 taken along the line 198-198 in FIG. 191.

[0174] FIG. 199 is a cross-sectional bottom plan view of the bathroom of the real estate unit shown in FIG. 179 taken along the line 199-199 in FIG. 191.

[0175] FIGS. 200-202 are, respectively, cross-sectional top plan views of the commercial building shown in FIG. 176 taken along the line L-L in FIG. 176 and showing real estate units in accordance with additional embodiment of the present technology including the interior space within the commercial building in the second state.

[0176] FIGS. 203-205 are, respectively, cross-sectional top plan views of real estate units in accordance with additional embodiments of the present technology including the interior space within the commercial building shown in FIG. 176 taken along the line L-L in FIG. 176 with the interior space in the second state.

[0177] FIG. 206 is a block diagram illustrating a method for making a real estate unit in accordance with an embodiment of the present technology.

[0178] FIG. 207 is a block diagram illustrating a method for operating a real estate unit in accordance with an embodiment of the present technology.

#### DETAILED DESCRIPTION

[0179] Specific details of several embodiments of the present technology are disclosed herein with reference to FIGS. 1-207. It should be noted, in general, that other embodiments in addition to those disclosed herein are within the scope of the present technology. For example, embodiments of the present technology can have different configurations, components, and/or operations than those disclosed herein. Moreover, a person of ordinary skill in the art will understand that embodiments of the present technology can have configurations, components, and/or operations in addition to those disclosed herein and that these and other embodiments can be without configurations, components, and/or operations disclosed herein without deviating from the present technology.

[0180] Disclosed herein are examples of dynamic interstitial hotels and related technology. Hotels in accordance with embodiments of the present technology can at least partially address one or more of the problems described above and/or other problems associated with conventional technologies whether or not such problems are stated herein. Hotels in accordance with at least some embodiments of the present technology are dynamic. For example, dynamic hotels can include inventories of lodging units that change over time. In addition or alternatively, hotels in accordance with at least some embodiments of the present technology are interstitial. For example, interstitial hotels can include lodging units (e.g., individual lodging units and/or clusters of lodging units) retrofitted (e.g., at least substantially reversibly retrofitted) at urban interstices.

[0181] In association with being interstitial, hotels in accordance with at least some embodiments of the present technology are highly decentralized relative to conventional hotels. Examples of suitable urban interstices include buildings, portions of buildings, land, and other pieces of real estate dispersed among miscellaneous other pieces of real estate in an urban area. Intervening spaces between urban interstices retrofitted for lodging use in accordance with embodiments of the present technology can be public spaces

(e.g., public streets, alleys, and sidewalks) and/or privately owned spaces (e.g., unaffiliated private buildings and land). Some of these intervening spaces can serve functions similar to the functions served by common areas (e.g., common corridors, lounges, restaurants, etc.) in conventional hotels. Furthermore, hotels in accordance at least some embodiments of the present technology include lodging units formed at urban interstices that are temporarily or perpetually underutilized. A vacant commercial space, for example, may be a temporarily underutilized urban interstice. An excess portion of an occupied commercial space, for example, may be a perpetually underutilized urban interstice. In addition or alternatively, these and other hotels in accordance embodiments of the present technology can include lodging units formed at urban interstices that are fully utilized before (e.g., immediately before) being retrofitted for use as lodging units.

[0182] A hotel in accordance with a particular embodiment of the present technology includes lodging units having reusable bathrooms removably disposed within respective commercial buildings. The bathrooms and/or other suitable components of the lodging units can be configured for low-cost deployment, removal, and redeployment. Use of these components can allow revenue from operating a given one of the lodging units to exceed costs associated with transitioning space within the corresponding commercial building from its purpose-built use (e.g., retail use, office use, restaurant use, industrial use, warehouse use, garage use, etc.) to lodging use even if the given lodging unit is only operated for a short period of time (e.g., less than one year). Thus, an operator of the hotel may lease spaces within commercial buildings short-term (e.g., monthly) from owners of the commercial buildings and retrofit the spaces for provision of lodging to third parties with little or no risk of incurring significant economic loss. Even if the owners terminate the leases or if demand for the newly created lodging units is lower than expected, most of the capital associated with retrofitting the spaces can be recoverable. Furthermore, capital embodied in the components can be readily relocatable in response to long-term and short-term (e.g., seasonal) changes in demand for lodging.

[0183] Among various types of real estate, commercial buildings are particularly well suited to be retrofitted to accommodate lodging uses. For example, commercial buildings tend to be unfurnished or sparsely finished in their purpose-built uses, which can facilitate retrofitting. As another example, commercial buildings often have large openings and/or storefronts at ground level. These openings and storefronts can be well suited for use as sources of natural light and/or as points of direct exterior access. As another example, commercial buildings are often vacant for long periods of time between commercial tenancies. Commercial buildings compatible with embodiments of the present technology can have other desirable attributes in addition to or instead of the foregoing attributes. Furthermore, embodiments of the present technology can be implemented in other types of real estate, such as residential garages.

[0184] FIG. 1 is a top plan view of an urban area 100 and a hotel 102 in accordance with an embodiment of the present technology at the urban area 100. The urban area 100 can include buildings 104 (individually identified as buildings 104a-104m) at which lodging units (not shown in FIG. 1) and other portions of the hotel 102 are respectively located. The buildings 104 can be clustered (e.g., in neighboring

pairs or groups) or separate (e.g., surrounded by the miscellaneous other buildings **106**). The buildings **104** can have the same or different respective owners. The buildings **104** can be dispersed among the miscellaneous other buildings **106** within the urban area **100**. In at least some embodiments, the urban area **100** is mostly or entirely non-residential. For example, the urban area **100** can be a central commercial district, a mostly or entirely retail and/or office district, or a mostly or entirely industrial and/or warehouse district of a greater urban area. Furthermore, the buildings **104** can have a municipal zoning that prohibits residential use and limits lodging use by floor-space allocation. For example, the buildings **104** can have a municipal zoning that limits lodging use to not more than a maximum floor-space allocation area (e.g., a maximum within a range from 1,000 to 8,000 square feet) and/or limits lodging use to not more than maximum floor-space allocation percentage (e.g., a maximum within a range from 10% to 50%). In other embodiments, the urban area **100** can have other suitable predominant use types and/or zoning restrictions.

[0185] The urban area **100** can include blocks **108** (individually identified as blocks **108a-108f**) at which the buildings **104** are disposed. FIG. 2 is a front profile view of the block **108a**. FIG. 3 is a cross-sectional top plan view of the building **104a** at the block **108a** taken along the line A-A in FIG. 2. The building **104a** can include permanent exterior walls **110** (individually identified as exterior walls **110a-110d**), and permanent interior walls **112**. Within the exterior walls **110**, the building **104a** can include an interior region **114**. The building **104a** can further include a building bathroom **116** and a utility room **118**. Opening into the building bathroom **116** and the utility room **118**, respectively, the building **104a** can include interior doors **120** (individually identified as interior doors **120a, 120b**). The exterior wall **110a** can be between the interior region **114** and a first outdoor area **122** that includes a sidewalk **124**. At the exterior wall **110a**, the building **104a** can include a storefront **126**. The storefront **126** can be heavily fenestrated (e.g., greater than 50% fenestrated by area), and can include a front door **127**. The exterior wall **110c** can be between the interior region **114** and a second outdoor area **128** that includes a yard **130**. At the exterior wall **110c**, the building **104a** can include a back door **132**. In at least some cases, the yard **130** is paved and/or otherwise configured to facilitate automobile parking. Although the exterior wall **110c** in the illustrated embodiment is a back wall, in other embodiments a counterpart of the exterior wall **110c** can be a side wall.

[0186] As shown in FIG. 3, the building bathroom **116** can include a toilet **134** and a sink **136**. The building **104a** can include a plumbing drain trunk line **138** and a water supply trunk line **140** operably associated with the building bathroom **116**. The plumbing drain trunk line **138** can follow a drainage route from the building bathroom **116** toward a sewage destination (e.g., a municipal sewer, not shown). Similarly, the water supply trunk line **140** can follow a supply route from a water source (e.g., a municipal water source, not shown) toward the building bathroom **116**. The plumbing drain trunk line **138** can be below-ground, such as positioned below a ground surface outside the building **104a** along the drainage route. In addition or alternatively, the plumbing drain trunk line **138** can be below-floor, such as positioned below a finished floor surface of the building **104a** along the drainage route. Similarly, the water supply trunk line **140** can be below-ground, such as positioned

below a ground surface outside the building **104a** along the supply route. In addition or alternatively, the water supply trunk line **140** can be below-floor, such as positioned below a finished floor surface of the building **104a** along the supply route.

[0187] The plumbing drain trunk line **138** and/or the water supply trunk line **140** can be buried or otherwise permanently installed within a basement, a crawlspace, a chase, a foundation, a volume of dirt, or another suitable environment directly below the building bathroom **116** and/or directly below an area around the building bathroom **116**. Furthermore, the plumbing drain trunk line **138** can be sloped to convey liquid waste (e.g., sewage) from the building bathroom **116** toward the sewage destination at least partially by gravity. The water supply trunk line **140** can be configured to convey potable water from the water source to the building bathroom **116** under pressure. In at least some cases, the building **104a** includes a building water heater **142** operably associated with the water supply trunk line **140**. In these cases, the water supply trunk line **140** can bifurcate into branches (not shown) that supply cold and hot water, respectively, to the building bathroom **116**, such as at the sink **136**. The building water heater **142** can be operably associated with a branch of the water supply trunk line **140** that supplies hot water to the building bathroom **116**. As shown in FIG. 3, the building water heater **142** can be disposed within the utility room **118**. The building **104a** can include a furnace **144** and an electrical panel **146** also disposed within the utility room **118**. The building **104a** can further include a main electrical supply line **148** through which the electrical panel **146** is operably connected to an electrical source (e.g., a municipal power source, not shown). Electrical lines and fixtures downstream from the electrical panel **146** are omitted for clarity of illustration.

[0188] In FIG. 3 the interior region **114** is shown in a first state, which can be an original, pre-retrofit, or similar state. In at least some embodiments, the interior region **114** is purpose-built for a use selected from a group consisting of retail use, office use, restaurant use, industrial use, warehouse use, storage use, garage use, and combinations thereof. FIG. 4 is a cross-sectional top plan view of the building **104a** taken along the line A-A in FIG. 2 and showing a lodging unit **150** of the hotel **102**. The lodging unit **150** can include the interior region **114** in a second state, which can be a non-original, post-retrofit, or similar state. The interior region **114** and the lodging unit **150** can be at a ground floor of the building **104a**. In the second state, the interior region **114** can be retrofitted (e.g., at least substantially reversibly retrofitted) for lodging use. The lodging unit **150** can include a variety of retrofits (e.g., at least substantially reversible retrofits) to the building **104a** that change at least a portion of the building **104a** from being well suited its purpose-built use to being well suited for lodging use. In at least some cases, reversal of all or a portion of these retrofits returns the portion of the building **104a** from being well suited for lodging use to again being well suited for its purpose-built use.

[0189] Examples of reversible retrofits include removing, installing, and relocating furniture and fixtures with little or no associated demolition of the exterior and interior walls **110, 112** or other permanent fabric of the building **104a**. The interior region **114** and other suitable portions of the building **104a** can be at least substantially reversibly retrofitted to accommodate the lodging unit **150**. For example, a total cost



of reversible retrofits to the building **104a** (e.g., a present value of at least substantially reversibly installed reusable components of the lodging unit **150**) for a given transformation of the interior region **114** from being well suited for a purpose-built use to being well suited for lodging use can be greater (e.g., at least 50% greater or at least 100% greater) than a total cost of permanent retrofits to the building **104a** (e.g. modifications to the permanent fabric of the building **104a**) for the given transformation. Capital associated with the lodging use can be readily re-deployable after the lodging use becomes inactive. In some cases, the lodging use and the lodging unit **150** are active for less than one year (e.g., six months or less) between successive transformations. In other cases, the lodging use and the lodging unit **150** can have longer durations or even be permanent.

[0190] As shown in FIG. 4, the lodging unit **150** can include a bathroom **152** disposed (e.g., removably disposed) within the building **104a**. The bathroom **152** can include a sink **154**, a toilet **156**, and a bath/shower **158**. In at least some embodiments, the bathroom **152** is reusable and removably disposed within the building **104a**. For example, unlike a conventional bathroom that can only be installed by heavy construction and removed by heavy demolition, the bathroom **152** can be configured to be installed with little or no need for heavy construction and removed with little or no need for heavy demolition. Furthermore, the bathroom **152** can be configured to be conveniently transported and reused after its removal. In the illustrated embodiment, the bathroom **152** is an assembly of reusable bathroom modules configured for rapid deployment into and removal from the building **104a** in an at least partially disassembled state. For example, the bathroom **152** can be made up mostly or entirely of reusable modular components. In other embodiments, a counterpart of the bathroom **152** can be portable and configured for rapid deployment into and removal from the building **104a** without significant disassembly. This deployment and removal can occur by forklift, by dolly, by operation of wheels integrated into the counterpart of the bathroom **152**, or in another manner. In still other embodiments, a counterpart of the bathroom **152** can have other forms.

[0191] The lodging unit **150** can further include retrofitted support systems (e.g., retrofitted plumbing). The retrofitted support systems can include an above-floor plumbing drain line **160** through which the bathroom **152** is operably connected to the plumbing drain trunk line **138**. The above-floor plumbing drain line **160** can be disposed (e.g., removably disposed) between the bathroom **152** and the building bathroom **116**. The interior door **120a** can be removed and the bathroom **152** can be adjacent to the building bathroom **116** and positioned such that the above-floor plumbing drain line **160** extends through a doorway from which the interior door **120a** was removed. The toilet **134** can also be removed exposing a toilet hookup **162** of the building bathroom **116**. The above-floor plumbing drain line **160** can be operably connected to the plumbing drain trunk line **138** via the toilet hookup **162**. The retrofitted support systems can further include water supply lines **164** (e.g., hot and cold) through which the bathroom **152** is operably connected to the water supply trunk line **140**. For example, the water supply lines **164** can be disposed (e.g., removably disposed) between the bathroom **152** and sink hookups within the building bathroom **116**.

[0192] The retrofitted support systems can still further include a retrofitted electrical system. For example, the lodging unit **150** can include an electrical line **166** through which the bathroom **152** and outlets (not shown) within the bathroom **152** are operably connected to the electrical panel **146**. The electrical line **166** can be disposed (e.g., removably disposed) between the bathroom **152** and the electrical panel **146**. The interior door **120b** can be propped open (as shown) or removed to allow passage of the electrical line **166** between the bathroom **152** and the electrical panel **146**. The lodging unit **150** can further include a plumbing ventilation line **168** and an exhaust line **170** through which the bathroom **152** is operably connected to an exterior of the building **104a**. For example, the lodging unit **150** can include an exhaust filter **172** (e.g., containing activated carbon) disposed (e.g., removably disposed) on an exterior surface of the exterior wall **110c**, and the plumbing ventilation line **168** and the exhaust line **170** can extend between the bathroom **152** and the exhaust filter **172**. The above-floor plumbing drain line **160**, the water supply lines **164**, the electrical line **166**, the plumbing ventilation line **168**, and the exhaust line **170** can be temporary and configured for reuse or disposal after the lodging unit **150** is decommissioned. Alternatively, these lines can be permanent.

[0193] The lodging unit **150** can be furnished or otherwise outfitted with suitable furnishings, fixtures, accessories, etc. to accommodate lodging use. In the illustrated embodiment, the lodging unit **150** includes a bed **174**, side tables **176**, upholstered chairs **178**, workstations **180** (individually identified as workstations **180a**, **180b**), a sofa **182**, a coffee table **184**, monitors **186** (individually identified as monitors **186a**, **186b**), a kitchenette **188**, and a set of step stairs **190**. The monitor **186a** can be horizontally slidable on a track (not shown) from a location well suited for viewing from the sofa **182** to a location well suited for viewing from the workstation **180a**. Similarly, the monitor **186b** can be horizontally slidable on a track (not shown) from a location well suited for viewing from the workstation **180b**. The kitchenette **188** and the set of step stairs **190** can be operably associated with the bathroom **152**. The lodging unit **150** can further include a curtain **192** and a partition **194**. The curtain **192** can be located inside the storefront **126** and can be closed for privacy. The partition **194** can separate a main portion of the lodging unit **150** from a service area including the utility room **118**. In other embodiments, the lodging unit **150** can include other suitable furnishings, fixtures, accessories, etc.

[0194] FIGS. 5, 6, 7 and 8 are, respectively, a first side profile view, an opposite second side profile view, a first end profile view, and an opposite second end profile view of the bathroom **152**. With reference to FIGS. 5-8 together, the bathroom **152** can include a rectangular floor module **300**, a rectangular ceiling module **302** vertically spaced apart from the floor module **300**, and a plurality of wall modules **304** (individually identified as wall modules **304a-304d**) removably connected to the floor and ceiling modules **300**, **302** at respective perimeter portions of the floor and ceiling modules **300**, **302**. The bathroom **152** can further include a lower gasket **306** disposed between the perimeter portion of the floor module **300** and the wall modules **304**, and an upper gasket **308** disposed between the perimeter portion of the ceiling module **302** and the wall modules **304**. The floor module **300** can include upwardly extending tabs **310** through which the floor module **300** is secured to the wall

modules 304. Similarly, the ceiling module 302 can include downwardly extending tabs 312 through which the ceiling module 302 is secured to the wall modules 304. The wall modules 304c, 304d can include vertical flanges 314 at which the wall modules 304c, 304d are secured to the wall modules 304a, 304b. The bathroom 152 can include bolts 316 and associated nuts 318 at the upwardly extending tabs 310, the downwardly extending tabs 312, and the vertical flanges 314.

[0195] At the wall module 304a (FIG. 7), the bathroom 152 can include a doorway opening 320, a frame 322 extending around the doorway opening 320, and a door 324 disposed within the doorway opening 320 and hingedly connected to the frame 322. The bathroom 152 can further include a handle 326 and hinges 328 operably associated with the door 324. At the wall module 304b (FIG. 8), the bathroom 152 can include a plumbing ventilation hookup 330 and an exhaust hookup 332. The plumbing ventilation hookup 330 and the exhaust hookup 332 can be configured for convenient connection to and disconnection from the plumbing ventilation line 168 and the exhaust line 170, respectively, such as via quick release couplings (not shown). The wall modules 304c, 304d can extend between the wall modules 304a, 304b at opposite sides of the bathroom 152. The bathroom 152 can be configured to be elevated above a floor surface of the interior region 114. For this purpose and/or another suitable purpose, the floor module 300 can include feet 333. In at least some embodiments, a gap between the feet 333 is large enough to allow the bathroom 152, when fully assembled, to be conveniently moved by forklift. At the ceiling module 302, the bathroom 152 can include skylights 334 that allow ambient light to enter an interior of the bathroom 152.

[0196] At a side of the floor module 300 below the wall module 304c, the bathroom 152 can include a main plumbing drain hookup 335, a main cold water supply hookup 336, and a main hot water supply hookup 338. At an end of the floor module 300 below the wall module 304b, the bathroom 152 can include a main electrical hookup 340. The main plumbing drain hookup 335, the main cold water supply hookup 336, the main hot water supply hookup 338, and the main electrical hookup 340 can be configured for convenient connection to and disconnection from the above-floor plumbing drain line 192, a cold one of the water supply lines 196, a hot one of the water supply lines 196, and the electrical line 198, respectively, such as via quick release couplings (not shown). At a side of the floor module 300 below the wall module 304d, the bathroom 152 can include an auxiliary plumbing drain hookup 342, an auxiliary cold water supply hookup 344, an auxiliary hot water supply hookup 346, and an auxiliary electrical hookup 348. The auxiliary plumbing drain hookup 342, the auxiliary cold water supply hookup 344, the auxiliary hot water supply hookup 346, and the auxiliary electrical hookup 348 can be configured for convenient connection to and disconnection from corresponding lines (not shown) of the kitchenette 188, such as via quick release couplings (not shown).

[0197] FIG. 9 is a cross-sectional top plan view of the bathroom 152 taken along the line 9-9 in FIG. 5. As shown in FIG. 9, the floor module 300 can include a deck 354, and the bathroom 152 can include a sink 356, a toilet 358, and a bathtub/shower 360 disposed (e.g., removably disposed) on the deck 354. The sink 356 can include a basin 362, a sink drain 364, a sink faucet 366, a sink cold hot knob 368, and

a sink cold water knob 370 operably connected to one another. The toilet 358 can include a tank 372, a bowl 374, and a toilet drain 376 operably connected to one another. The bathtub/shower 360 can include a tub 378, a tub drain 380, a tub faucet 382, a tub cold water knob 384, a tub hot water knob 386, a cold water conduit 388, and a hot water conduit 390 operably connected to one another. The cold water conduit 388 can include a riser 392 and a first branch 394 extending between the riser 392 and the tub faucet 382. The tub cold water knob 384 can be disposed along the first branch 394 and operable to control a flow of cold water from the cold water conduit 388 to the tub faucet 382. Similarly, the hot water conduit 390 can include a riser 396 and a first branch 398 extending between the riser 396 and the tub faucet 382. The tub hot water knob 386 can be disposed along the first branch 398 and operable to control a flow of hot water from the hot water conduit 390 to the tub faucet 382.

[0198] The bathroom 152 can further include an electrical conduit 400, a junction box 402 operably connected to the electrical conduit 400, a plumbing ventilation conduit 404 disposed between the sink 356 and the toilet 358, and a floor drain 406 disposed between the toilet 358 and the bathtub/shower 360. FIG. 10 is an enlarged view of a portion of FIG. 9. With reference to FIGS. 9 and 10 together, the bathroom 152 can include vertical gaskets 408 disposed between the respective vertical flanges 314 and corresponding portions of the wall modules 304a, 304b. Similarly, the bathroom 152 can include lower tab gaskets 410 disposed between the respective upwardly extending tabs 310 and corresponding portions of the wall modules 304.

[0199] FIG. 11 is a cross-sectional bottom plan view of the bathroom 152 taken along the line 11-11 in FIG. 5. As shown in FIG. 11, the bathroom 152 can include a light fixture 412 attached to the wall module 304c above the sink 356. The bathroom 152 can further include an exhaust intake fan 414 attached to the ceiling module 302. The electrical conduit 400 can extend from the junction box 402 (FIG. 9) to the light fixture 412, and from the light fixture 412 to the exhaust intake fan 414. The plumbing ventilation conduit 404 can extend along an inner corner between the ceiling module 302 and the wall modules 304b, 304c to the plumbing ventilation hookup 330 (FIG. 8). The bathroom 152 can include an exhaust conduit 416 extending between the exhaust intake fan 414 and the exhaust hookup 332 (FIG. 8). Above one end of the tub 378 (FIG. 9), the bathtub/shower 360 (FIG. 9) can include a showerhead 418, a shower cold water knob 420 operably connected to the cold water conduit 388, and a shower hot water knob 422 operably connected to the hot water conduit 390. The cold water conduit 388 can include a second branch 424 extending between the riser 392 and the showerhead 418. The shower cold water knob 420 can be disposed along the second branch 424 and operable to control a flow of cold water from the cold water conduit 388 to the showerhead 418. Similarly, the hot water conduit 390 can include a second branch 426 extending between the riser 396 and the showerhead 418. The shower hot water knob 422 can be disposed along the second branch 426 and operable to control a flow of hot water from the hot water conduit 390 to the showerhead 418. The bathroom 152 can include upper tab gaskets 428 disposed between the respective downwardly extending tabs 312 and corresponding portions of the wall modules 304.

[0200] FIG. 12 is a cross-sectional top plan view of the bathroom 152 taken along the line 12-12 in FIG. 5. With reference to FIGS. 5, 6, 9 and 10 together, the floor module 300 can include a skirt 430 and a series of parallel spaced-apart joists 432 within the skirt 430. The bathroom 152 can include a main plumbing drain conduit 434 operably connected to the main plumbing drain hookup 335 and the toilet drain 376. The main plumbing drain conduit 434 can include branches 436 (individually identified as branches 436a-436d) operably connected to the plumbing ventilation conduit 404, the sink drain 364, the tub drain 380, and the floor drain 406, respectively. The main plumbing drain conduit 434 can further include a sub-branch 438 operably connected to the auxiliary plumbing drain hookup 342 via the branch 436b. The branches 436c, 436d can include respective traps 440. Furthermore, the main plumbing drain conduit 434 and the branches 436 can include respective caps 442. The bathroom 152 can include wheels 443 (e.g., swivel casters) integrated into the floor module 300. In the illustrated embodiment, the wheels 443 are embedded within the feet 333 and accessible via inwardly facing openings (not shown) of the feet 333. The individual wheels 443 can be movable between a retracted state and an extended state. For example, the bathroom 152 can include posts 444 having threads (not shown) that engage corresponding threads (not shown) of the wheels 443 such that the wheels 443 can be rotatably moved between the retracted and extended states. Moving the wheels 443 from the retracted state to the extended state can lift the bathroom 152 off a corresponding floor surface, thereby allowing the bathroom 152 to be conveniently moved along the floor surface.

[0201] The bathroom 152 can further include a main cold water conduit 445 and a main hot water conduit 446 operably connected to the main cold water supply hookup 336 and the main hot water supply hookup 338, respectively. The main cold water conduit 445 can include branches 448 (individually identified as branches 448a, 448b) operably connected to the sink 356 and the bathtub/shower 360 (via the riser 392), respectively. The main cold water conduit 445 can further include a sub-branch 450a operably connected to the auxiliary cold water supply hookup 344 via the branch 448a. The main cold water conduit 445 can still further include a sub-branch 450b operably connected to the toilet 358 via the branch 448b. The main hot water conduit 446 can include branches 452 (individually identified as branches 452a, 452b) operably connected to the sink 356 and the bathtub/shower 360 (via the riser 396), respectively. The main hot water conduit 446 can further include a sub-branch 454 operably connected to the auxiliary hot water supply hookup 346 via the branch 452a. The bathroom 152 can still further include a main electrical conduit 456 operably connected to the main electrical hookup 340. The main electrical conduit 456 can include branches 458 (individually identified as branches 458a, 458b) operably connected to the electrical conduit 400 and the auxiliary electrical hookup 348, respectively.

[0202] FIG. 13 is a cross-sectional bottom plan view of the bathroom 152 taken along the line 13-13 in FIG. 5. As shown in FIG. 13, the bathroom 152 can include a floor heating system 460 operably associated with the deck 354. The floor heating system 460 can include a control box 462 operably connected to the main electrical conduit 456, and a heating cable 464 operably connected to the control box 462. The heating cable 464 can have a serpentine configu-

ration and be directly connected to an underside of the deck 354 between the joists 432. With reference to FIGS. 5-13 together, the floor drain 406, the main plumbing drain conduit 434 (e.g., including its branches 436 and sub-branch 438), the main cold water conduit 445 (e.g., including its branches 448 and sub-branch 450), the main hot water conduit 446 (e.g., including its branches 452 and sub-branch 454), the main electrical conduit 456 (e.g., including its branches 458), the floor heating system 460, and/or other suitable components of the bathroom 152 can be pre-installed components of the floor module 300. Similarly, the supply plumbing for the bathtub/shower 360 (e.g., including the tub faucet 382, the cold water conduit 388, the hot water conduit 390, and the showerhead 418), the light fixture 412, and/or other suitable components of the bathroom 152 can be pre-installed components of the wall module 304c. These and/or other aspects of the bathroom 152 can facilitate rapid deployment, removal, and redeployment of the bathroom 152.

[0203] FIG. 14 is a front profile view of the block 108b. FIG. 15 is a cross-sectional top plan view of the building 104b at the block 108b taken along the line B-B in FIG. 14. The building 104b can include permanent exterior walls 480 (individually identified as exterior walls 480a-480d), and permanent interior walls 482. Within the exterior walls 480, the building 104b can include interior regions 484 (individually identified as interior regions 484a-484c). In FIG. 15, the interior regions 484 are shown in the first state. In at least some embodiments, the interior regions 484a-484c are purpose-built for respective uses independently selected from a group consisting of retail use, office use, restaurant use, industrial use, warehouse use, storage use, garage use, and combinations thereof. The building 104b can further include building bathrooms 486 (individually identified as building bathrooms 486a, 486b) and a utility room 488. Opening into the building bathroom 486a, the building bathroom 486b, and the utility room 488, respectively, the building 104b can include interior doors 490 (individually identified as interior doors 490a-490c). The exterior wall 480a can be between the interior regions 484a, 484b and a first outdoor area 492 that includes a sidewalk 494. At the exterior wall 480a, the building 104b can include a storefront 496. The storefront 496 can be heavily fenestrated (e.g., greater than 50% fenestrated by area), and can include front doors 497 (individually identified as front doors 497a, 497b).

[0204] The exterior wall 480c can be between the interior region 484c and a second outdoor area 498 that includes a yard 500. At the exterior wall 480c, the building 104b can include a back door 502 and an opening 504 between the interior region 484c and the second outdoor area 498. In at least some cases, the yard 500 is paved and/or otherwise configured to facilitate automobile parking. Although the exterior wall 480c in the illustrated embodiment is a back wall, in other embodiments a counterpart of the exterior wall 480c can be a side wall. With reference again to FIG. 15, the opening 504 can be sized to permit loading of large items into the building 104b and/or passage of an automobile between the interior region 484c and the second outdoor area 498. For example, the opening 504 can have a width within a range from 2 to 7 meters (e.g., from 4 to 6 meters). The building 104b can further include an overhead door 506 (e.g., a door that moves upward to open and stows overhead in a rolled or unrolled state) movably disposed at the

opening 504. The building 104b can also include a plumbing drain trunk line 507 and a water supply trunk line 508 operably associated with the building bathrooms 486. The plumbing drain trunk line 507 and the water supply trunk line 508 can have features the same as or similar to features of the plumbing drain trunk line 138 and the water supply trunk line 140 of the building 104a described above.

[0205] FIG. 16 is a cross-sectional top plan view of the building 104b taken along the line B-B in FIG. 14 and showing a cluster of lodging units 510 (individually identified as lodging units 510a, 510b) of the hotel 102. The lodging units 510a, 510b can include the interior regions 484a, 484b, respectively, in the second state. The interior regions 484 and the lodging units 510 can have features the same as or similar to the features of the interior region 114 and the lodging unit 150 described above. As shown in FIG. 16, the lodging units 510a, 510b can respectively include bathrooms 512 (individually identified as bathrooms 512a, 512b) disposed (e.g., removably disposed) within the building 104b. The bathrooms 512 can have features the same as or similar to the features of the bathroom 152 described above. The cluster of lodging units 510 can further include retrofitted support systems 513 having features the same as or similar to the features of the retrofitted support systems described above for the lodging unit 150. The retrofitted support systems 513 can include retrofitted ventilation lines, retrofitted exhaust lines, and a retrofitted exhaust filter, which are not shown for clarity of illustration. Among other furnishings, the lodging units 510 can include climate-control units 514 (e.g., supplemental heaters) operably connected to the retrofitted support systems 513.

[0206] The cluster of lodging units 510 can further include a compartmentalizing assembly 515. The interior regions 484a, 484b can be respectively located within compartments 516 (individually identified as compartments 516a, 516b) at least partially defined by the compartmentalizing assembly 515. The compartmentalizing assembly 515 can include wall components 518 disposed at perimeter portions of the compartments 516. The wall components 518 and/or other suitable components of the compartmentalizing assembly 515 can be reusable and removably disposed within the building 104b. For example, the compartmentalizing assembly 515 can be made up mostly or entirely of reusable modular components. In at least some embodiments, the wall components 518 are stacked and/or interlocking within the compartmentalizing assembly 515.

[0207] FIG. 17 is top plan view of a set of wall components 530 in accordance with an embodiment of the present technology. The set 530 can include wall components of different types 532 (individually identified as types 532a-532f). Some or all of the wall component types 532 shown in FIG. 17 can be used together to make compartmentalizing assemblies in accordance with embodiments of the present technology, such as the compartmentalizing assembly 515 shown in FIG. 16. With reference to FIGS. 16 and 17 together, the wall components 518 can be of the type 532a in staggered rows of the compartmentalizing assembly 515. At portions of the compartmentalizing assembly 515 closest to the storefront 496 and the exterior walls 480b, 480d, the wall components 518 can be of the type 532b at every other row of the compartmentalizing assembly 515 between wall components 518 of the type 532a. In at least some embodiments, the wall components 518 of the type 532a have rectangular footprints with aspect ratios of 2:1. In these and

other embodiments, the wall components 518 of the type 532b can have square footprints. Thus, when seams between the wall components 518 of the type 532a are evenly staggered row-to-row, the wall components 518 of the type 532b can cap the short rows, thereby giving the compartmentalizing assembly 515 vertical end portions at or near the storefront 496 and the exterior walls 480b, 480d. Similarly, the wall components 518 can be of the types 532c, 532d in alternately stacked rows at a T-shaped intersection of the compartmentalizing assembly 515. In other embodiments, counterpart compartmentalizing assemblies can include wall components of the types 532e, 532f in alternately stacked rows to form L-shaped intersections. Similarly, counterpart compartmentalizing assemblies can include full-size and reduced-size cross-shaped wall components in alternately stacked rows to form cross-shaped intersections.

[0208] FIG. 18 is an enlarged view of a portion of FIG. 16. FIG. 19 is a cross-sectional exterior side profile view of a portion of the cluster of lodging units 510 corresponding to the portion of FIG. 16 shown in FIG. 18. With reference to FIGS. 16, 18 and 19 together, the building 104b can have a finished floor surface 540 over which the wall components 518 are removably disposed, a finished wall surface 542 beside which the wall components 518 are removably disposed, and a finished ceiling surface 544 below which the wall components 518 are removably disposed. The compartmentalizing assembly 515 can include a liner 546 disposed (e.g., removably or permanently disposed) on the finished floor surface 540 below the wall components 518. For example, the liner 546 can be adhesively connected to the finished floor surface 540. The liner 546 can be useful, for example, to protect the finished floor surface 540 from other components of the compartmentalizing assembly 515, to facilitate layout the compartmentalizing assembly 515, to reduce or eliminate the possibility of shifting of the compartmentalizing assembly 515, and/or for other purposes. Suitable materials for the liner 546 include spray-and-peel coatings, strips of peel-and-stick house wrap, and strips of peel-and-stick roof underlayment, among other examples. The liner 546 can be disposable or reusable.

[0209] In at least some embodiments, the compartmentalizing assembly 515 includes additional components that facilitate compatibility between the wall components 518 and the building 104b when the wall components 518 have standard dimensions and the building 104b has irregular dimensions. For example, the compartmentalizing assembly 515 can include a mass of self-leveling material 548 (e.g., a disposable mass of hardened self-leveling grout) under the wall components 518 and over the liner 546. The mass of self-leveling material 548 can be molded and, in at least some cases, is integrally formed along most or all of an overall footprint of the compartmentalizing assembly 515. During formation of the mass of self-leveling material 548, the constituent self-leveling material can be of sufficiently low viscosity to level itself by gravity. Thus, the mass of self-leveling material 548 can automatically conform to slopes, dips, and other irregularities in the finished floor surface 540. When at least partially cured, the mass of self-leveling material 548 can provide the compartmentalizing assembly 515 with a reliably level surface that facilitates vertical stacking of the wall components 518.

[0210] As shown in FIGS. 18 and 19, the compartmentalizing assembly 515 can include compressible batting 550 disposed (e.g., stuffed) into a vertical gap between the wall

components **518** and the finished wall surface **542** and disposed (e.g., stuffed) into a horizontal gap between the wall components **518** and the finished ceiling surface **544**. In at least some embodiments, the batting **550** is reusable. Furthermore, the batting **550** can be non-combustible. For example, the batting **550** can be reusable bundles of lined or unlined mineral wool insulation. At its interior side, the compartmentalizing assembly **515** can include molding panels **551** that hide the batting **550**. The molding panels **551** can be attached to the wall components **518** magnetically, adhesively, mechanically, or in another suitable manner. In some embodiments, the overall compartmentalizing assembly **515** is self-supporting, free-standing, and has a fire rating of at least two hours. In other embodiments, the overall compartmentalizing assembly **515** can have only some or none of these attributes. As shown in FIG. 19, some of the wall components **518** can be configured to allow passage of retrofitted utility lines. For example, the compartmentalizing assembly **515** can include ports **552** (individually identified as ports **552a-552g**). The retrofitted support systems **513** can include electrical lines **554** (individually identified as electrical lines **554a, 554b**) extending through the ports **552a, 552e**, respectively; water supply lines **556** (individually identified as water supply lines **556a, 556b**) extending through the ports **552b, 552c**, respectively; a plumbing drain line **558** extending through the port **552d**; a plumbing ventilation line **560** extending through the port **552f**; and an exhaust vent line **562** extending through the port **552g**.

[0211] FIG. 20 is an enlarged view of a portion of FIG. 19. As shown in FIG. 20, the wall components **518** can be stacked within the compartmentalizing assembly **515**. Furthermore, the wall components **518** can be interlocking within the compartmentalizing assembly **515**. For example, the individual wall components **518** can include downwardly extending flanges **570** that are received within successively lower wall components **518**. At the mass of self-leveling material **548**, the compartmentalizing assembly **515** can include base blocks **572** configured to receive the flanges **570** of the wall components **518** within a lowest row of wall components **518** within the compartmentalizing assembly **515**. When fully assembled, the compartmentalizing assembly **515** can be strong enough to support fixtures and accessories (e.g., electrical conduits, monitors, shelving, moldings, artwork, furniture supports, etc.). In at least some embodiments, exposed portions of the wall components **518** are at least partially made of ferrous metal such that suitable fixtures and accessories can be connected to the compartmentalizing assembly **515** magnetically. In addition or alternatively, the wall components **518** can include coupling components **574** that allow suitable fixtures and accessories to be connected to the compartmentalizing assembly **515** mechanically and/or by gravity.

[0212] FIG. 21 is side profile view of a given one of the wall components **518** of the type **532a** (FIG. 17) separate from other portions of the compartmentalizing assembly **515**. FIG. 22 is a cross-sectional top plan view of the given wall component **518** taken along the line 22-22 in FIG. 21. FIG. 23 is a cross-sectional end plan view of the given wall component **518** taken along the line 23-23 in FIG. 21. In at least some embodiments, other (e.g., most or all) of the wall components **518** of the type **532a** within the compartmentalizing assembly **515** at least substantially match the given wall component **518** illustrated in FIGS. 21-23. With reference to FIGS. 21-23 together, the given wall component **518**

can include a first side panel **580** and an opposite second side panel **582** parallel to and spaced apart from the first side panel **580**. Similarly, the given wall component **518** can include a first end panel **584** and an opposite second end panel **586** parallel to and spaced apart from the first end panel **584**. The first and second side panels **580, 582** and the first and second end panels **584, 586** can define an interior region of the given wall component **518** shaped, for example, as a rectangular solid. The given wall component **518** can include two of the flanges **570** at the first side panel **580** and another two of the flanges **570** at the second side panel **582**. As shown in FIG. 23, the flanges **570** can be parallel to and inset relative to the corresponding first and second side panels **580, 582**. Between the flanges **570** at the first side panel **580** and between the flanges **570** at the second side panel **582**, the given wall component **518** can include respective slots **588**.

[0213] When the given wall component **518** is assembled with other wall components **518** of the type **532a** within the compartmentalizing assembly **515**, one of the flanges **570** at the first side panel **580** and an opposing one of the flanges **570** at the second side panel **582** can be received within the interior region of a first neighboring lower wall component **518**. Similarly, the other of the flanges **570** at the first side panel **580** and the other of the flanges **570** at the second side panel **582** can be received within the interior region of a second neighboring lower wall component **518** adjacent to the first neighboring lower wall component **518**. The second end panel **586** of the first neighboring lower wall component **518** and the first end panel **584** of the second neighboring lower wall component **518** can be directly adjacent to one another and received within the slots **588** of the given wall component **518**. This interaction between the wall components **518** can facilitate convenient assembly of the compartmentalizing assembly **515** with neighboring rows of the wall components **518** evenly staggered.

[0214] In at least some embodiments, the given wall component **518** is rigid and the first and second side panels **580, 582** and the first and second end panels **584, 586** provide the given wall component **518** with most or all of its rigidity. In the illustrated embodiment, the first and second side panels **580, 582** are thinner than the first and second end panels **584, 586** and made of a different material. For example, the first and second side panels **580, 582** can be metal (e.g., iron) and the first and second end panels **584, 586** can be cementitious (e.g., fiber-reinforced cement). The metal composition of the first and second side panels **580, 582** can be useful, for example, for aesthetics, to facilitate magnetic coupling of fixtures and accessories to the compartmentalizing assembly **515**, and/or for another reason. The cementitious composition of the first and second end panels **584, 586** can be useful, for example, to increase the fire rating of the compartmentalizing assembly **515**, to reduce noise transmission through the compartmentalizing assembly **515**, and/or for another reason. In other embodiments, the first and second side panels **580, 582** and the first and second end panels **584, 586** can have other suitable forms and/or compositions.

[0215] The given wall component **518** can further include compressible batting **590** disposed within its interior region. Similar to the batting **550** described above, the batting **590** can be reusable and/or non-combustible. For example, the batting **590** can be reusable bundles of lined or unlined mineral wool insulation. In at least some embodiments, the

batting 590 is removable. Furthermore, the first and second side panels 580, 582 and the first and second end panels 584, 586 can be collapsible. For example, at corners where the first and second side panels 580, 582 and the first and second end panels 584, 586 meet, the given wall component 518 can include hinges (not shown), such as flexure bearings or piano hinges that allow each corner to fold in a direction that causes the first and second side panels 580, 582 and the first and second end panels 584, 586 to flatten. This feature along with the compressibility of the batting 590 can facilitate efficient storage and transport of the given wall component 518 between deployments. When the first and second side panels 580, 582 and the first and second end panels 584, 586 are collapsible, the given wall component 518 can include a rectangular inset (not shown) that rests on upper edges of the flanges 570. The inset can be removably disposed within the interior of the given wall component 518 to cause the given wall component 518 to maintain its rectangular form during use. When the first and second side panels 580, 582 and the first and second end panels 584, 586 are to be collapsed, the inset can be removed.

[0216] FIG. 24 is an enlarged view of a portion of FIG. 23. As shown in FIG. 24, a lowermost portion of the first side panel 580 can overlap an uppermost portion of one of the flanges 570. FIG. 24 further illustrates a given one of the coupling components 574 at the lowermost portion of the first side panel 580. In at least some embodiments, other (e.g., most or all) of the coupling components 574 of wall components 518 within the compartmentalizing assembly 515 at least substantially match the coupling component 574 illustrated in FIG. 24. The coupling component 574 can include a notch 600 and a plug 602 removably disposed within the notch 600. The plug 602 can include a magnet 604 that releasably connects the plug 602 to the uppermost portion of the adjacent flange 570. The plug 602 can be disposed within the notch 600 when the coupling component 574 is not in use. Removing the plug 602 from the notch 600 can expose an opening into the interior of the given wall component 518. A hook or other suitable mechanical fastener (not shown) can be inserted into this opening. In this way, relatively heavy fixtures and accessories can be connected to the compartmentalizing assembly 515 through a reliable mechanical connection in addition to or instead of a magnetic connection.

[0217] FIG. 25 is a cross-sectional top plan view of the building 104b taken along the line B-B in FIG. 14 and showing a cluster of lodging units 640 (individually identified as lodging units 640a-640c) of a hotel in accordance with another embodiment of the present technology. The lodging units 640a-640c can include the interior regions 484a-484c (FIG. 15), respectively, in the second state. The lodging units 640 can have features the same as or similar to the features of the lodging units 150, 510 described above. As shown in FIG. 25, the lodging units 640a-640c can respectively include bathrooms 642 (individually identified as bathrooms 642a-642c) disposed (e.g., removably disposed) within the building 104b. The bathrooms 642 can have features the same as or similar to the features of the bathroom 152, 512 described above. The cluster of lodging units 640 can further include retrofitted support systems 644 having features the same as or similar to the features of the retrofitted support systems 513 of the lodging units 510 and the retrofitted support systems described above for the lodging units 150.

[0218] As shown in FIG. 25, the retrofitted support systems 644 can include an above-floor sewage detention tank 646, an above-floor water reservoir 648, and a battery 650 through which the lodging units 640 are operably connected to sewage, water, and electrical systems of the building 104b, respectively. The retrofitted support systems 644 can further include a water heater 651 operably connected to the above-floor water reservoir 648. In at least some cases, the above-floor sewage detention tank 646, the above-floor water reservoir 648, the battery 650, and the water heater 651 are reusable and removably disposed within the building 104b. The retrofitted support systems 644 can further include a compressor 652 and above-floor refrigerant lines 654 through which climate-control units 514 of the lodging units 640 are operably connected to the compressor 652. The above-floor refrigerant lines 654 can be reusable and removably disposed within the building 104b. The compressor 652 can be reusable and removably disposed outside the building 104b. The retrofitted support systems 644 can still further include retrofitted ventilation lines, retrofitted exhaust lines, and a retrofitted exhaust filter, which are not shown for clarity of illustration.

[0219] The cluster of lodging units 640 can further include an additional compartmentalizing assembly 656. The interior region 484c can be located within an additional compartment 658 at least partially defined by the additional compartmentalizing assembly 656. The additional compartmentalizing assembly 656 can have features the same as or similar to the features of the compartmentalizing assembly 515 of the cluster of lodging units 510 described above. As shown in FIG. 25, the additional compartment 658 is near the opening 504. The lodging unit 640c can include a barrier 660 disposed between the interior region 484c and the second outdoor area 498. For example, a primary egress path from the interior region 484c to the second outdoor area 498 can extend through the opening 504 and through the barrier 660. Furthermore, the barrier 660 can be stationarily disposed between the interior region 484c and the second outdoor area 498. For example, unlike the overhead door 506, which is configured to move on a regular basis during normal operation of the interior region 484c in the first state, the barrier 660 can be configured to remain at least substantially stationary during normal operation of the lodging unit 640c.

[0220] FIG. 26 is an enlarged view of a portion of FIG. 25. FIG. 27 is a cross-sectional exterior side profile view of a portion of the cluster of lodging units 640 corresponding to the portion of FIG. 25 shown in FIG. 26. With reference to FIGS. 25-27 together, the barrier 660 can be fenestrated and can include windows 662 that allow natural light to enter the interior region 484c from the second outdoor area 498. The barrier 660 can further include a door 664. The barrier 660 can be reusable and removably disposed between the interior region 484c and the second outdoor area 498. For example, the barrier 660 can be configured to be installed with little or no need for heavy construction and removed with little or no need for heavy demolition. Furthermore, the barrier 660 can be configured to be conveniently transported and reused after its removal. In the illustrated embodiment, the barrier 660 is rigid, portable, and configured for rapid deployment into and removal from operable association with the interior region 484c without significant disassembly. This deployment and removal can occur by forklift, by dolly, by operation of wheels (not shown) integrated into the barrier

660, or in another manner. In other embodiments, a counterpart of the barrier 660 can be an assembly of reusable barrier modules configured for rapid deployment into and removal from between the interior region 484c and the second outdoor area 498 in an at least partially disassembled state. For example, a counterpart of the barrier 660 can be made up mostly or entirely of reusable modular components.

[0221] With reference again to FIGS. 25-27, the barrier 660 can be removably fastened to the exterior wall 480c. For example, the barrier 660 can be removably bolted to the exterior wall 480c. Alternatively, a counterpart of the barrier 660 can be removably screwed to the exterior wall 480c, removably clamped to the exterior wall 480c, and/or removably fastened to the exterior wall 480c in another manner in addition to or instead of being removably bolted to the exterior wall 480c. As yet another alternative, a counterpart of the barrier 660 can be permanently installed at the exterior wall 480c. As shown in FIG. 27, the barrier 660 can include a frame 666 and a gasket 668 disposed between the frame 666 and the exterior wall 480c. The gasket 668 can be compressible such that it conforms to irregularities in the exterior wall 480c and thereby enhances a weather resistance of a connection between the barrier 660 and the exterior wall 480c. The barrier 660 can further include bolts 670 that extend through the frame 666, through the gasket 668, and through the exterior wall 480c. At an inside surface of the exterior wall 480c, the barrier 660 can include furring strips 672 through which the bolts 670 also extend, and nuts 674 operably connected to the bolts 670 and bearing on the furring strips 672. The barrier 660 can further include a mass of self-leveling material 676 having features the same as or similar to features of the mass of self-leveling material 548 described above. The self-leveling material 676 can be integrally formed along most or all of an overall footprint of the barrier 660.

[0222] In the illustrated embodiment, the barrier 660 is an overlay that covers the opening 504 at an exterior side of the exterior wall 480c. In other embodiments, the barrier 660 can have another form and/or position relative to the opening 504. For example, rather than being disposed at the exterior side of the exterior wall 480c, a counterpart of the barrier 660 can be disposed at an interior side of the exterior wall 480c. As another example, rather than overlying the opening 504, the barrier 660 can be inset within the opening 504. As shown in FIG. 27, in the illustrated embodiment, the overhead door 506 is stowed within the interior region 484c in an open state. For example, a door track (not shown) associated with the overhead door 506 can remain in place after the interior region 484c is retrofitted for lodging use. A motor (not shown) operably associated with the overhead door 506 can be temporarily disabled so that the overhead door 506 remains out-of-service during operation of the lodging unit 510c. Leaving the overhead door 506, the door track, and the motor in place after the interior region 484c is retrofitted for an alternative use can be useful, for example, to reduce an investment necessary to return the interior region 484c its purpose-built use, as needed. In other embodiments, the overhead door 506, the door track, and/or the motor can be removed when the interior region 484c is retrofitted for lodging use. In still other embodiments, a counterpart of the overhead door 506 can be retrofitted with windows and/or a doorway. In these embodiments, the counterpart of the overhead door 506 can take the place of the barrier 660.

[0223] In the embodiment illustrated in FIG. 25, the cluster of lodging units 640 is tethered to the building bathroom 486a and the utility room 488. The cluster of lodging units 640, therefore, can be on-grid (i.e., dependent on service connections to local utilities serving the building 104b). In other embodiments, a counterpart of the cluster of lodging unit 640 can be configured to operate at least substantially off-grid (i.e., independent of service connections to local utilities serving the building 104b). One example of such a cluster of lodging units is shown in FIG. 28. In particular, FIG. 28 is a cross-sectional top plan view of the building 104b taken along the line B-B in FIG. 14 and showing a cluster of lodging units 678 (individually identified as lodging units 678a-678c) of a hotel in accordance with another embodiment of the present technology. The lodging units 678a-678c can include the interior regions 484a-484c (FIG. 15), respectively, in the second state. The lodging units 678 can have features the same as or similar to the features of the lodging units 150, 510, 640 described above. For example, the cluster of lodging units 678 can include retrofitted support systems 680 similar to the retrofitted support systems 644 described above in the context of the cluster of lodging units 640.

[0224] As shown in FIG. 28, the retrofitted support systems 680 can include hookups 682 (individually identified as hookups 682a-682c) through which the battery 650, the above-floor water reservoir 648, and the above-floor sewage detention tank 646 of the retrofitted support systems 680 can be respectively serviced. For example, the battery 650 of the cluster of lodging units 678 can be configured for occasional recharging from a mobile recharging station (not shown) via the hookup 682a. As another example, the above-floor water reservoir 648 of the cluster of lodging units 678 can be configured for occasional replenishment from a mobile tanker (e.g., a water supply truck) via the hookup 682b. As yet another example, the above-floor sewage detention tank 646 of the cluster of lodging units 678 can be configured for occasional evacuation into a mobile tanker (e.g., a septic system pump truck) via the hookup 682c. Having all or a portion of the retrofitted support systems 680 be off-grid can be useful, for example, to avoid costs and complications associated with utility hookups, to reduce the environmental impact of the lodging units 678, to facilitate efficient management of the lodging units 678, to reduce costs associated with maintaining the lodging units 678 during periods of nonuse or low use, and/or for other reasons.

[0225] FIG. 29 is a front profile view of the block 108c. FIG. 30 is a cross-sectional top plan view of the buildings 104c, 104d at the block 108c taken along the line C-C in FIG. 29. The building 104c can include permanent exterior walls 700 (individually identified as exterior walls 700a-700d). Similarly, the building 104d can include permanent exterior walls 702 (individually identified as exterior walls 702a-702d). Within the exterior walls 700, the building 104c can include interior regions 704 (individually identified as interior regions 704a-704c). Similarly, within the exterior walls 702, the building 104d can include interior regions 706 (individually identified as interior regions 706a, 706b). In FIG. 30, the interior regions 704, 706 are shown in the first state. In at least some embodiments, the interior regions 704, 706 are purpose-built for respective uses independently selected from the group consisting of retail use, office use, restaurant use, industrial use, warehouse use, storage use, garage use, and combinations thereof. The exterior wall

**700b** can be between the interior regions **704** and an intra-block paved area **708**. Similarly, the exterior wall **702d** can be between the interior regions **706** and the intra-block paved area **708**. At the exterior wall **702d**, the building **104d** can include an opening **710** between the interior region **706a** and the intra-block paved area **708**. The opening **710** can have features similar to or the same as features of the opening **504** described above.

[0226] FIG. 31 is a cross-sectional top plan view of the buildings **104c**, **104d** taken along the line C-C in FIG. 29 and showing a cluster of lodging units **720** (individually identified as lodging units **720a-720c**) and another cluster of lodging units **722** (individually identified as lodging units **722a**, **722b**) of the hotel **102**. The lodging units **720a-720c** can include the interior regions **704a-704c**, respectively, in the second state. The lodging units **722a**, **722b** can include the interior regions **706a**, **706b**, respectively, in the second state. The interior regions **704**, **706** and the lodging units **720**, **722** can have features the same as or similar to the features of the interior regions **114**, **484** and the lodging units **150**, **510**, **640**, **678** described above. As shown in FIG. 31, the cluster of lodging units **720** can include retrofitted courtyards **724** (individually identified as courtyards **724a-724c**) at a portion of the intra-block paved area **708** closest to the building **104c**. Similarly, the cluster of lodging units **722** can include a retrofitted courtyard **726** at a portion of the intra-block paved area **708** closest to the building **104d**.

[0227] The cluster of lodging units **720** can include an exterior enclosure **728** at least partially defining the courtyards **724**. Similarly, the cluster of lodging units **722** can include an exterior enclosure **730** at least partially defining the courtyard **726**. In the illustrated embodiment, the courtyards **724**, **726** are open air. In other embodiments, all or a portion of counterparts of the courtyards **724**, **726** can have a roof (e.g., to define a solarium). As shown in FIG. 31, the exterior enclosures **728**, **730** can include exterior wall components **732** and gates **734** disposed at perimeter portions of the courtyards **724**, **726**. The exterior enclosures **728**, **730** can have features similar to or the same as features of the compartmentalizing assembly **515** described above. For example, the exterior wall components **732** can be the same as or similar to the wall components **518** described above. In at least some cases, the exterior wall components **732** are planters that support vegetation (not shown). For example, the exterior wall components **732** can internally support root systems (not shown) of the vegetation. Thus, the exterior enclosures **728**, **730** can include living walls.

[0228] FIG. 32 is a cross-sectional top plan view of the buildings **104c**, **104d** taken along the line 32-32 in FIG. 29. FIG. 33 is an enlarged view of a portion of FIG. 32. FIG. 34 is a cross-sectional exterior side profile view of a portion of the cluster of lodging units **720** corresponding to the portion of FIG. 32 shown in FIG. 33. With reference to FIGS. 29-34 together, the cluster of lodging units **720** can include a compartmentalizing assembly **736**, and the cluster of lodging units **722** can include a compartmentalizing assembly **738**. The compartmentalizing assemblies **736**, **738** can have features the same as or similar to features of the compartmentalizing assemblies **515**, **656** described above. The compartmentalizing assemblies **736**, **738** can include reusable interior wall components **740** and reusable interior ceiling components **742** removably disposed within the buildings **104c**, **104d**. For example, the compartmentalizing assem-

blies **736**, **738** can include rigid ceiling panels **744** and elongate ceiling beams **746** interspersed between the ceiling panels **744**.

[0229] The ceiling beams **746** can support the ceiling panels **744**, and the interior wall components **740** can support the ceiling beams **746**. The interior wall components **740** can be assembled into walls, columns, or other suitable structures that extend between the ceiling beams **746** and finished floor surfaces of the buildings **104c**, **104d**. For example, the compartmentalizing assembly **736** can include a wall **748** parallel to and spaced apart from the exterior wall **700c**, and a series of columns (not shown) abutting an interior surface of the exterior wall **700c**. The ceiling beams **746** can extend between the wall **748** and the columns. When a distance between the wall **748** and the columns does not correspond to a multiple of the length of the ceiling panels **744**, and in other cases, the ceiling panels **744** and the ceiling beams **746** can be cantilevered over the wall **748**. As shown in FIG. 34, the individual ceiling beams **746** can have an I-shape transverse cross-section including two channels at opposite sides of a central web. The individual ceiling panels **744** can have side edge portions snugly received within corresponding channels of adjacent ceiling beams **746**. Together, the ceiling panels **744** and the ceiling beams **746** can form ceilings **750** of the clusters of lodging units **720**, **722**. The ceilings **750** can be below airspaces **752** within the buildings **104c**, **104d**.

[0230] FIG. 35 is a front profile view of the block **108d**. FIG. 36 is a cross-sectional top plan view of the buildings **104e-104k** taken along the line D-D in FIG. 35. The buildings **104e-104k** can include permanent exterior walls within which the building **104e-104k** include interior regions **760** (individually identified as interior regions **760a-760m**). In FIG. 36, the interior regions **760** are shown in the first state. In at least some embodiments, the interior regions **760** are purpose-built for respective uses independently selected from the group consisting of retail use, office use, restaurant use, industrial use, warehouse use, storage use, garage use, and combinations thereof. The exterior walls of the buildings **104e-104k** can include back walls between the interior regions **760** and an alley **762** of the block **108d**. In the illustrated embodiment, the alley **762** is a through alley. In other embodiments, a counterpart of the alley **762** can be a blind alley. With reference again to FIG. 36, the buildings **104e-104k** can be in two groups at opposite respective sides of the alley **762**. Within the alley **762**, the block **108d** can include dumpsters **764** individually serving one or more of the buildings **104e-104k**. The buildings **104e-104k** can include back doors **766** and openings **768** similar to the back doors **132**, **502** and openings **504**, **710** described above.

[0231] FIG. 37 is a cross-sectional top plan view of the buildings **104e-104k** taken along the line D-D in FIG. 35 and showing a cluster of lodging units **770** (individually identified as lodging units **770a-770m**) of the hotel **102**. The lodging units **770a-770m** can include the interior regions **760a-760m**, respectively, in the second state. The interior regions **760** and the lodging units **770** can have features the same as or similar to the features of the interior regions **114**, **484**, **704**, **706** and the lodging units **150**, **510**, **640**, **678**, **720**, **722** described above. For clarity of illustration, most details of the lodging units **770** are not shown in FIG. 37. The features of the lodging units **770** can differ. For example, in the illustrated embodiment, many of the lodging units **770** have different respective sizes. Furthermore, in the illus-



trated embodiment, the buildings **104g-104k** respectively include multiple lodging units **770**, and the buildings **104e, 104f** respectively include single lodging units **770**. In other embodiments, a counterpart of the cluster of lodging units **770** can have other distributions of counterparts of the lodging units **770**.

[0232] As shown in FIG. 37, the back walls of the buildings **104e-104k** can be retrofitted to accommodate the lodging units **770**. For example, the lodging units **770f-770h, 770j** can be at the respective existing openings **768**, and the lodging units **770a-770e, 770i, 770k-770m** can be at respective new (e.g., cut) openings **772**. Other modifications of the back walls of the buildings **104e-104k** can be made to serve continuing operations within the buildings **104e-104k** other than operations associated with the lodging units **770**. For example, the back walls can be retrofitted to include new back doors **774**. The alley **762** can be closed off to automobile traffic to form a common area for the cluster of lodging units **770**. The cluster of lodging units **770** can include gates **776** (individually identified as gates **776a, 776b**) at opposite respective ends of the alley **762**. The dumpsters **764** can be relocated to portion of the alley **762** outside the gate **776a**. In some embodiments, the alley **762** is at least substantially reversibly closed off. For example, the alley **762** can be closed off during certain hours (e.g., by closing the gates **776**) and reopened during other hours (e.g., by opening the gates **776**). In a particular embodiment, the alley **762** is at least substantially reversibly closed off at night, and the alley **762** is reopened during the day. In other embodiments, the alley **762** can be at least substantially reversibly closed off until the cluster of lodging units **770** is decommissioned, permanently closed off, not closed off, or managed in another manner.

[0233] FIG. 38 is a front profile view of the block **108e**. FIG. 39 is a cross-sectional top plan view of the building **1041** taken along the line E-E in FIG. 38. The building **1041** can include permanent exterior walls **780** (individually identified as exterior walls **780a-780d**) within which the building **1041** includes interior regions **782** (individually identified as interior regions **782a-782h**). In FIG. 35, the interior regions **782** are shown in the first state. In at least some embodiments, the interior regions **782** are purpose-built for respective uses independently selected from the group consisting of retail use, office use, restaurant use, industrial use, warehouse use, storage use, garage use, and combinations thereof. FIG. 40 is a cross-sectional top plan view of the building **1041** taken along the line E-E in FIG. 38 and showing a cluster of lodging units **784** (individually identified as lodging units **784a-784g**) of the hotel **102**. The lodging units **784a-784g** can include the interior regions **782a-782g**, respectively, in the second state. The cluster of lodging units **784** can further include an enclosed utility area **786** at the interior region **782h**. The utility area **786** can include retrofitted systems (not shown) serving the lodging units **784**. The interior regions **782a-782g** and the lodging units **784** can have features the same as or similar to the features of the interior regions **114, 484, 704, 706, 760** and the lodging units **150, 510, 640, 678, 720, 722, 770** described above.

[0234] The interior regions **782** can be at a higher-than-ground-floor level of the building **104m**. The cluster of lodging units **784** can include an exterior stairway and platform structure **788** at the exterior wall **780c**. The stairway and platform structure **788** can be reusable and remov-

ably disposed adjacent to the exterior wall **780c**. In some embodiments, the stairway and platform structure **788** is a portable stairway and platform unit. In other embodiments, the stairway and platform structure **788** is an assembly of reusable exterior stairway and platform modules. For example, the stairway and platform structure **788** can be made up mostly or entirely of reusable stairway and platform modules. In still other embodiments the stairway and platform structure **788** can have other suitable forms. As shown in FIG. 40, the cluster of lodging units **784** can include a corridor **790** serving the lodging units **784**, and a retrofitted entry door **792** between the stairway and platform structure **788** and the corridor **790**. The retrofitted entry door **792** can be within a cut opening **794**. Alternatively or in addition, the retrofitted entry door **792** can be at a window opening of the building **104m** retrofitted for egress use.

[0235] FIG. 41 is a front profile view of the block **108g**. FIG. 42 is a cross-sectional top plan view of the building **104m** at the block **108g** taken along the line F-F in FIG. 41. The building **104m** can include permanent exterior walls **800** (individually identified as exterior walls **800a-800d**) within which the building **104m** includes an interior region **802**. In FIG. 42, the interior region **802** is shown in the first state. In at least some embodiments, the interior regions **802** is purpose-built for a use selected from the group consisting of retail use, office use, restaurant use, industrial use, warehouse use, storage use, garage use, and combinations thereof. FIG. 43 is a cross-sectional top plan view of the building **104m** taken along the line F-F in FIG. 41 and showing a guest-services hub **804** of the hotel **102**. The guest-services hub **804** can include the interior region **802** in the second state. The guest-services hub **804** can be a location at which in-person services ancillary to lodging are provided to guests of the hotel **102**. In the illustrated embodiment, the guest-services hub **804** includes a lobby area **806**, a check-in area **808**, a concierge/baggage check area **810**, a lounge area **812**, a food-service area **814**, and a logistics/office area **816**. In other embodiments, the guest-services hub **804** can have other suitable forms.

[0236] FIGS. 44 and 45 are schematic diagrams illustrating a network of hotels **830** in accordance with an embodiment of the present technology. The network **830** can include a first hotel **832** and a second hotel **834**. The first and second hotels **832, 834** can have features the same as or similar to features of the hotel **102** described above. The first hotel **832** can include a first inventory of first lodging units **836** (individually identified as first lodging units **836a-836f**) available for provision of lodging to guests of the first hotel **832**. Similarly, the second hotel **834** can include a second inventory of second lodging units **838** (individually identified as second lodging units **838a-838f**) available for provision of lodging to guests of the second hotel **834**. The first and second hotels **832, 834** can be at a first urban area **840** (e.g., a first district of a first greater urban area) and a second urban area **842** (e.g., a second district of a second greater urban area), respectively. A first center point **844** of the first urban area **840** and a second center point **846** of the second urban area **842** can be at least 50 miles from one another. Alternatively, the first and second center points **844, 846** can be closer together, such as when the first and second urban areas **840, 842** are within the same greater urban area. Furthermore, although FIGS. 44 and 45 show only the first and second hotels **832, 834**, the network **830** can include more than two hotels at different respective urban areas.

[0237] In some embodiments, the first lodging units **836** are at least substantially fungible components of the corresponding inventory for fulfilling reservations for the first hotel **832**. Similarly, the second lodging units **838** can be at least substantially fungible components of the corresponding inventory for fulfilling reservations for the second hotel **834**. For example, like conventional hotel rooms, the individual first lodging units **836** among themselves and the individual second lodging units **838** among themselves can be alike in amenities, furnishings, systems, etc. Particular ones of the first and second lodging units **836**, **838** can be assigned to guests of the first and second hotels **832**, **834**, respectively, after the guests make reservations for future stays at the first and second hotels **832**, **834**, respectively. This assignment can occur at check-in or at another suitable time at or near a time when a reserved stay actually begins. In other embodiments, the first lodging units **836** can be non-fungible components of the corresponding inventory for fulfilling reservations for the first hotel **832**, and the second lodging units **838** can be non-fungible components of the corresponding inventory for fulfilling reservations for the second hotel **834**. For example, like conventional peer-to-peer lodging units, the individual first lodging units **836** among themselves and the individual second lodging units **838** among themselves can be distinct in amenities, furnishings, systems, etc. Particular ones of the first and second lodging units **836**, **838** can be specifically reserved by guests of the first and second hotels **832**, **834**, respectively.

[0238] In at least some embodiments, the inventories are dynamic. For example, the constituent first lodging units **836** of the first hotel **832** and/or the constituent second lodging units **838** of the second hotel **834** can change over time. In addition or alternatively, the total number of first lodging units **836** within the inventory of the first hotel **832** and/or the total number of second lodging units **838** within the inventory of the second hotel **834** can change over time. These changes in the total numbers of the first and second lodging units **836**, **838** can correspond to changing market conditions in the first and second urban areas **840**, **842**. For example, change in the total number of first lodging units **836** within the corresponding inventory can be inversely proportional to change in an overall non-lodging occupancy rate within the first urban area **840**. Such change can correspond to greater availability of relatively inexpensive urban interstices within the first urban area **840**, thereby potentially increasing the profitability of the first lodging units **836**. As another example, change in the total number of first lodging units **836** within the corresponding inventory can be directly proportional to change in an overall lodging occupancy rate within the first urban area **840**. Such change can correspond to greater demand for the first lodging units **836**, thereby also potentially increasing the profitability of the first lodging units **836**. As another example, change in the total number of first lodging units **836** within the corresponding inventory can be in concert with seasonal change in an overall lodging occupancy rate within the first urban area **840**. For example, the corresponding inventory can be sufficiently dynamic to shrink during seasonal periods of relatively low demand for lodging and to grow during seasonal periods of relatively high demand for lodging. Similar correlations can apply to the total number of second lodging units **838** in the corresponding inventory relative to changes in market conditions in the second urban area **842**.

[0239] The total number of first lodging units **836** in the corresponding inventory and the total number of second lodging units **838** in the corresponding inventory can be interrelated. For example, capital used to form the first lodging units **836** can be reallocated to form the second lodging units **838** when demand for lodging at the second urban area **842** is increasing and demand for lodging at the first urban area **840** is decreasing. Correspondingly, capital used to form the second lodging units **838** can be reallocated to form the first lodging units **836** when demand for lodging at the first urban area **840** is increasing and demand for lodging at the second urban area **842** is decreasing. Thus, the total number of first lodging units **836** within the corresponding inventory can be inversely proportional to the total number of second lodging units **838** within the corresponding inventory and vice versa. In at least some embodiments, an average residence time for the first lodging units **836** within the corresponding inventory is not more than three years (e.g., not more than two years or not more than one year). Similarly, an average residence time for the second lodging units **838** within the corresponding inventory can be not more than three years (e.g., not more than two years or not more than one year).

[0240] The network **830** can further include a server **848** and a computer-implemented reservation system **850** separate from the server **848** (as illustrated) or stored on the server **848**. The reservation system **850** can be operable to generate reservations for future stays at the first and second hotels **832**, **834**. As shown in FIG. 44, guests **852** (individually identified as guests **852a-852l**) having respective mobile electronic devices **854** (individually identified as mobile electronic devices **854a-854l**) can communicate with the server **848** and with the reservation system **850** via an electronic network **856** (e.g., the Internet). For example, information **858** can flow between the server **848** and the reservation system **850**, between the server **848** and the guests **852**, between the reservation system **850** and the guests **852**, and/or among the guests **852** via the electronic network **856**. The information **858** can include guest locations (e.g., from GPS components of the electronic devices **854**), notifications, offers, etc. In at least some embodiments, the first and second lodging units **836**, **838** are configured for unmanned check-in and/or other unmanned operations that utilize the information **858**. The first and second lodging units **836**, **838** can be directly rentable, rentable via a membership system (e.g., in a member-based network of lodging units), rentable under short-term use arrangements, and/or rentable in another suitable manner.

[0241] FIG. 45 schematically illustrates how the first and second lodging units **836**, **838** are distributed in the first and second urban areas **840**, **842**, respectively. As shown in FIG. 45, the first and second hotels **832**, **834** can include first and second guest-services hubs **860**, **862**, respectively. The first lodging units **836** and the first guest-services hub **860** can be at respective first buildings **864** (individually identified as first buildings **864a-864g**) dispersed among miscellaneous other buildings **866** within the first urban area **840**. Similarly, the second lodging units **838** and the second guest-services hub **862** can be at respective second buildings **868** (individually identified as second buildings **868a-868g**) dispersed among miscellaneous other buildings **870** within the second urban area **842**. The first and second guest-services hubs **860**, **862** can be locations at which in-person services

ancillary to lodging are provided to guests of the first and second hotels **832**, **834**, respectively.

[0242] FIG. 46 is a block diagram illustrating a method **900** for operating the network **830** in accordance with an embodiment of the present technology. In the method **900**, features of the first and second hotels **832**, **834** may be described using reference numbers corresponding to counterpart features of the hotel **102**. It should be understood that the method **900**, when suitable, and/or portions of the method **900**, when suitable, can be practiced with respect to other hotels described herein as well as with respect to hotels in accordance with other embodiments of the present technology. Similarly, although the method **900** may be described primarily in the context of the building **104b** and/or the lodging units **640**, it should be understood that the method **900**, when suitable, and/or portions of the method **900**, when suitable, can be practiced with respect to other suitable buildings and lodging units in accordance with embodiments of the present technology.

[0243] With reference to FIGS. 15, 25 and 46 together, the method **900** can include leasing the interior regions **484** (block **902**) or establishing control of the interior regions **484** in another manner. For example, the interior regions **484** can be leased from an owner of the building **104b** for provision of lodging to third parties. In some cases, one or more of the interior regions **484** is leased or purchased separately from other interior regions within the building **104b**. For example, a leased or purchased one of the interior regions **484** may be underutilized by an ongoing operation at the other interior regions such that the ongoing operation is not adversely affected to a significant degree by losing control over the leased or purchased one of the interior regions **484**. In other cases, all interior regions within the building **104b** can be leased or purchased together.

[0244] After control of the interior regions **484** is established, the method **900** can include retrofitting the interior regions **484** to accommodate lodging use (block **904**). The building **104b** can be originally constructed at least 20 years before this retrofitting occurs. In at least some embodiments, the method **900** includes at least substantially reversibly retrofitting the interior regions **484** to accommodate lodging use. In these and other embodiments, it may be economically feasible to lease and retrofit the interior regions **484** with little or no long-term commitment from an owner of the building **104b**. This can be due to the reusability of a significant amount of the capital associated with retrofitting the interior regions **484** and/or for other reasons. Accordingly, in some embodiments, the interior regions **484** are leased month-to-month. In other embodiments, the interior regions **484** can be leased under terms that allow the owner of the building **104b** to terminate the lease with notice of less than one month. In still other embodiments, the interior regions **484** can be controlled by an operator of the lodging units **640** under other lease arrangements, under non-lease contractual arrangements (e.g., franchising), under fee simple ownership, or in another suitable manner.

[0245] After direct or indirect control over the interior regions **484** is established, the method **900** can include providing lodging to guests of the hotel **102** (block **906**) at the lodging units **640**. While lodging is provided to the guests, the building **104b** can be publicly marketed for sale and/or the interior regions **484** can be publicly marketed for a non-lodging tenancy. In these and other cases, lodging use of the interior regions **484** can be an interim use of the

interior regions **484** during a time when the interior regions **484** would otherwise be vacant. When the interior regions **484** are leased or otherwise controlled separately from other portions of the building **104b**, an owner of the building **104b** can occupy or otherwise use the other portions of the building **104b** while the interior regions **484** are used for lodging. When the interior regions **484** are leased together with other portions of the building **104b**, an operator of the lodging units **640** can operate the lodging units **640** at the interior regions **484** and lease and some or all of the other portions of the building **104b** for other uses.

[0246] The method **900** can further include decommissioning the lodging units **640** (block **908**). This can reduce a total number of lodging units within an inventory of the hotel **102**. Furthermore, decommissioning the lodging units **640** can be at least partially in response to a sustained increase in an overall non-lodging occupancy rate within the urban area **100**, at least partially in response to a sustained decrease in an overall lodging occupancy rate within the urban area **100**, and/or seasonal (e.g., in concert with a seasonal decrease in an overall lodging occupancy rate within the urban area **100**). When seasonal and in other cases, the lodging units **640** can be commissioned and decommissioned more than once. In these and other cases, decommissioning the lodging units **640** can occur by attrition in conjunction with a planned sale of the building **104b**, a planned non-lodging tenancy of the interior regions **484**, or both. Decommissioning the lodging units **640** can include recovering capital from the lodging units **640**, such as by removing reusable modules from the lodging units **640**. Examples of reusable modules that can be removed from the lodging units **640** include the bathrooms **642**, reusable components of the retrofitted support systems **644**, the wall components **518**, the barrier **660**, the exterior wall components **732** (FIG. 31), the exterior stairway and platform structure **788** (FIG. 40), and furnishings, among others.

[0247] After the reusable modules are removed from the lodging units **640**, the method **900** can include transporting the reusable modules to another building (block **910**), such as a building in another urban area. Some or all of the modules can be transported in a compact state. For example, the bathrooms **642** can be transported in a disassembled state. As another example, the wall components **518** can be transported in a disassembled state. Furthermore, the first and second side panels **580**, **582** and the first and second end panels **584**, **586** can be transported in a collapsed state. The method **900** can further include receiving the modules at the other building. For example, at least some of the modules can be received at the other building in an at least substantially pre-manufactured state. As shown in FIG. 46, the method **900** can further include commissioning lodging units (block **912**) at the building at which the modules are received. Commissioning the lodging units can include deploying the modules at this building. Commissioning the new lodging units can increase a total number of lodging units within an inventory of another hotel affiliated with the hotel **102**, but at a different urban area. Furthermore, commissioning the new lodging units can be at least partially in response to a sustained decrease in an overall non-lodging occupancy rate within the other urban area, at least partially in response to a sustained increase in an overall lodging occupancy rate within the other urban area, and/or seasonal (e.g., in concert with a seasonal increase in an overall lodging occupancy rate within the other urban area).

[0248] FIGS. 47-50 are operational diagrams showing, respectively, the spring, summer, fall, and winter intake and migration of capital within the network 830. Intake of modules can be from a module source 950. Migration of modules can be among hotels in the network 830 at different respective urban areas. Seattle is shown in FIGS. 47-50 as having higher summer lodging occupancy rates than winter lodging occupancy rates, a general (non-seasonal) trend toward higher lodging occupancy rates, and a general (non-seasonal) trend toward higher non-lodging occupancy rates. This can correspond to favored incoming migration of modules in the spring and favored outgoing migration of modules in the fall. Portland is shown in FIGS. 47-50 as having higher summer lodging occupancy rates than winter lodging occupancy rates, a general (non-seasonal) trend toward higher lodging occupancy rates, and a general (non-seasonal) trend toward lower non-lodging occupancy rates. This can correspond to favored incoming migration of modules in the spring and the fall and favored intake of modules from the module source 950 in the summer and winter. San Francisco is shown in FIGS. 47-50 as having higher summer lodging occupancy rates than winter lodging occupancy rates, a general (non-seasonal) trend toward lower lodging occupancy rates, and a general (non-seasonal) trend toward higher non-lodging occupancy rates. This can correspond to favored outgoing migration of modules in the spring and the fall. Los Angeles is shown in FIGS. 47-50 as having higher summer lodging occupancy rates than winter lodging occupancy rates, a general (non-seasonal) trend toward lower lodging occupancy rates, and a general (non-seasonal) trend toward lower non-lodging occupancy rates. This can correspond to favored incoming migration of modules in the spring and favored outgoing migration of modules in the fall. Tucson is shown in FIGS. 47-50 as having lower summer lodging occupancy rates than winter lodging occupancy rates, a general (non-seasonal) trend toward higher lodging occupancy rates, and a general (non-seasonal) trend toward higher non-lodging occupancy rates. This can correspond to favored outgoing migration of modules in the spring and favored incoming migration of modules in the fall. Las Vegas is shown in FIGS. 47-50 as having lower summer lodging occupancy rates than winter lodging occupancy rates, a general (non-seasonal) trend toward lower lodging occupancy rates, and a general (non-seasonal) trend toward lower non-lodging occupancy rates. This can correspond to favored outgoing migration of modules in the spring and favored incoming migration of modules in the fall. Salt Lake City is shown in FIGS. 47-50 as having lower summer lodging occupancy rates than winter lodging occupancy rates, a general (non-seasonal) trend toward lower lodging occupancy rates, and a general (non-seasonal) trend toward higher non-lodging occupancy rates. This can correspond to favored outgoing migration of modules in the spring and the fall. Phoenix is shown in FIGS. 47-50 as having lower summer lodging occupancy rates than winter lodging occupancy rates, a general (non-seasonal) trend toward higher lodging occupancy rates, and a general (non-seasonal) trend toward lower non-lodging occupancy rates. This can correspond to favored incoming migration of modules in the spring and the fall and favored intake of modules from the module source 950 in the summer and winter.

[0249] As a person having ordinary skill in the art will recognize, numerous permutations of the features disclosed

herein are within the scope of the present technology. For example, a counterpart of the exterior enclosure 728 (FIG. 31) can be deployed at the lodging unit 640c (FIG. 25). As another example, a counterpart of the compartmentalizing assembly 515 (FIG. 19) can include the ceiling components 742 (FIG. 32) and be below an airspace rather than extending all the way to the finished ceiling surface 544 (FIG. 19). Furthermore, although features of the present technology are described herein primarily in the context of providing lodging, it should be understood that the same or similar features can be implemented in other suitable contexts. For example, the method 900 and other aspects of the present technology can be practiced in the context of providing office space, residential space, assembly space, etc. In these and other cases, the “lodging units” referred to herein can instead be office units, residential units, assembly units, etc. Several examples of non-lodging real estate units compatible with features of the present technology are disclosed in U.S. Patent Application Nos. 62/222,750, 62/273,700, and 62/310,045, which are incorporated herein by reference in their entireties.

[0250] Also disclosed herein are examples of school spaces retrofitted for alternative uses and related technology. In a particular embodiment of the present technology, a collection of rentable units and associated structures is operated at a school building between successive academic sessions of a school also operated at the school building. The collection can include components well suited for rapid deployment, removal, and redeployment. Use of these components can allow revenue from operating the rentable units to exceed costs associated within transitioning the school building from being well suited for a school use to being well suited for an alternative use, even when the rentable units are only operated for relatively short periods of time. Among various types of real estate, school buildings are particularly well suited to accommodate short-term alternative uses. For example, school buildings are typically unutilized or underutilized during summer months when demand for lodging and certain other alternative uses tends to be high. As another example, school buildings typically have floor plans that include classrooms, which tend to be well sized for use as individual rentable units. As yet another example, school buildings typically have large windows at or near ground level, which tend to be well suited for use as direct access points to individual rentable units.

[0251] FIG. 51 is a front profile view of a school building 2100 in a first state. The first state can be a school-use, original, unretrofitted, pre-retrofit, or similar state. FIG. 52 is a top plan view of the school building 2100 in the first state taken along the line G-G in FIG. 51. With reference to FIGS. 51 and 52 together, the school building 2100 can have a network of permanent walls 2102 and can include a main entrance 2104, a hallway 2106, classrooms 2108 (individually identified as classrooms 2108a-2108h), school bathrooms 2110 (individually identified as school bathrooms 2110a, 2110b), main stairways 2112 (individually identified as main stairways 2112a, 2112b), and an oversized room 2114 (i.e., a room within the school building 2100 having a floor area at least twice an average individual floor area of the classrooms 2108) at least partially defined by the permanent walls 2102. The oversized room 2114 can be an auditorium, a gym, a cafeteria, a library, and/or another suitable type of room within the school building 2100.

[0252] The illustrated school building **2100** has a first story **2116** (e.g., a ground story) at which a total of eight classrooms **2108** are located. The illustrated school building **2100** also has a second story **2118** at which additional classrooms (not shown) are located. The main stairways **2112** operably connect the first and second stories **2116**, **2118**. In other embodiments, corresponding school buildings can have different numbers of classrooms and/or different numbers of stories. Furthermore, although features of the present technology may be described herein primarily or entirely with respect to the first story **2116** of the school building **2100**, it should be understood that suitable features of the present technology can additionally or alternatively be practiced with respect to the second story **2118** of the school building **2100**. In embodiments of the present technology practiced at the first story **2116** only, the main stairways **2112** can be closed off from the hallway **2106** when the school building **2100** is retrofitted from a first state to a second state to accommodate an alternative use. In embodiments of the present technology practiced at both the first and second stories **2116**, **2118**, access to the main stairways **2112** from the hallway **2106** can be maintained after the school building **2100** is retrofitted from the first state to the second state.

[0253] The school building **2100** can be associated with a school (e.g., a public or private elementary, middle, or high school) and can include facilities appropriate for this purpose. In at least some embodiments, the school building **2100** is purpose-built for school use. For example, the oversized room **2114** can be a purpose-built auditorium, gym, cafeteria, and/or library. The classrooms **2108**, school bathrooms **2110**, main stairways **2112**, and oversized room **2114** can be adjacent to the hallway **2106**. For example, the classrooms **2108**, school bathrooms **2110**, and oversized room **2114** can include respective doorway openings **2120** at the hallway **2106**. For natural lighting, the classrooms **2108**, school bathrooms **2110**, main stairways **2112**, and oversized room **2114** can include respective window openings **2122** and sashes **2124** disposed (e.g., hingedly or slidably disposed) at the respective window openings **2122**. The window openings **2122** can be double-hung window openings or another type of window opening from which the sashes **2124** are readily removable.

[0254] The classrooms **2108**, school bathrooms **2110**, and oversized room **2114** can include doors **2126** disposed (e.g., hingedly or slidably disposed) at the corresponding doorway openings **2120**. When the school building **2100** is in the first state, the classrooms **2108**, the oversized room **2114**, and the school bathrooms **2110** can be directly accessible from the hallway **2106** through the corresponding doorway openings **2120**. Furthermore, the main entrance **2104** can be operably connected to the hallway **2106** such that the classrooms **2108**, school bathrooms **2110**, main stairways **2112**, and oversized room **2114** are accessible from the main entrance **2104** via the hallway **2106**. As discussed below, in some embodiments, the classrooms **2108** and the oversized room **2114** remain accessible from the hallway **2106** after the school building **2100** is retrofitted to the second state. In other embodiments, the classrooms **2108** and/or the oversized room **2114** can be made inaccessible from the hallway **2106** after the school building **2100** is retrofitted to the second state.

[0255] As shown in FIG. 52, school desks **2128** and school chairs **2130** can be removably disposed within the class-

rooms **2108** in arrangements suitable for accommodating students during classroom instruction. The oversized room **2114** can include a stage **2132** and a large open area **2134** in front of the stage **2132**. The school bathrooms **2110** can include toilets **2136** (e.g., two or more toilets **2136**), sinks **2138** (e.g., two or more sinks **2138**), and a stall assembly **2140** operably associated with the toilets **2136**. The school building **2100** can include a plumbing drain trunk line **2142** and a water supply trunk line **2144** operably associated with the school bathroom **2110a**. The plumbing drain trunk line **2142** can follow a drainage route from the school bathroom **2110a** toward a sewage destination (e.g., a municipal sewer) (not shown). Similarly, the water supply trunk line **2144** can follow a supply route from a water source (e.g., a municipal water source) (not shown) toward the school bathroom **2110a**. The plumbing drain trunk line **2142** can be below-ground, such as positioned below a ground surface outside the school building **2100** along the drainage route. In addition or alternatively, the plumbing drain trunk line **2142** can be below-floor, such as positioned below a finished floor surface of the school building **2100** along the drainage route (e.g., at a portion of the drainage route under the school bathroom **2110a**). Similarly, the water supply trunk line **2144** can be below-ground, such as positioned below a ground surface outside the school building **2100** along the supply route. In addition or alternatively, the water supply trunk line **2144** can be below-floor, such as positioned below a finished floor surface of the school building **2100** along the supply route (e.g., at a portion of the supply route under the school bathroom **2110a**).

[0256] The plumbing drain trunk line **2142** and/or the water supply trunk line **2144** can be buried or otherwise permanently installed within a basement, a crawlspace, a chase, a foundation, a volume of dirt, or another suitable environment directly below the school bathroom **2110a** and/or directly below an area around the school bathroom **2110a**. Furthermore, the plumbing drain trunk line **2142** can be sloped to convey liquid waste (e.g., sewage) from the school bathroom **2110a** toward the sewage destination at least partially by gravity. The water supply trunk line **2144** can be configured to convey potable water from the water source to the school bathroom **2110a** under pressure. In at least some cases, the school building **2100** includes a school water heater (not shown) operably associated with the water supply trunk line **2144**. In these cases, the water supply trunk line **2144** can bifurcate into branches (not shown) that supply cold and hot water, respectively, to the school bathroom **2110a**, such as at the sinks **2138**. The school water heater can be operably associated with a branch of the water supply trunk line **2144** that supplies hot water to the school bathroom **2110a**.

[0257] FIG. 53 is a top plan view of a collection of rentable units and associated structures **2200** in accordance with an embodiment of the present technology at the school building **2100** in a second state taken along the line G-G in FIG. 51. The second state can be an alternative-use, non-original, retrofitted, post-retrofit, or similar state. With reference to FIGS. 51-53 together, the school building **2100** and portions thereof (e.g., the hallway **2106**, the classrooms **2108**, the school bathrooms **2110**, and the oversized room **2114**) can be retrofitted (e.g., at least substantially reversibly retrofitted) from the first state to the second state to accommodate the collection **2200**. This retrofitting can occur well after (e.g., at least 20 years after) the school building **2100**

was originally constructed. The collection **2200** can include retrofits (e.g., at least substantially reversible retrofits) to the school building **2100** that change the school building **2100** from being well suited for a school use to being well suited for an alternative use. In at least some cases, reversal of all or a portion of these retrofits returns the school building **2100** from being well suited for the alternative use to again being well suited for the school use. The school use can occur during successive academic sessions of the school associated with the school building **2100**. The alternative use can occur during a recess (e.g., a summer recess) between the successive academic sessions. For example, the recess can be one of a series of recesses and the collection **2200** can reoccur to accommodate the same or different alternative uses in concert with the series of recesses. The collection **2200** can be an annually reoccurring collection. Furthermore, the collection **2200** can have a duration of between 5 and 15 weeks between the successive academic sessions of the school.

[0258] In at least some cases, retrofits to the school building **2100** that support only the alternative use and do not interfere significantly with the school use are permanent, whereas retrofits to the school building **2100** that support only the alternative use and would interfere significantly with the school use are reversible. Examples of reversible retrofits include removing, installing, and relocating furniture and fixtures with little or no associated demolition of the permanent walls **2102** or other permanent fabric of the school building **2100**. The school building **2100** can be substantially reversibly retrofitted to accommodate the collection **2200**. For example, a total cost of reversible retrofits to the school building **2100** for a given transformation of the school building **2100** from being well suited for a school use to being well suited for an alternative use can be greater (e.g., at least 50% greater or at least 100% greater) than a total cost of permanent retrofits to the school building **2100** for the given transformation. Capital associated with the alternative use can be readily re-deployable during the school use. In some cases, the alternative use and the collection **2200** are active for less than four months, such as less than three months (e.g., between two and three months) between successive transformations of the school building **2100**. In other cases, the alternative use and the collection **2200** can have longer durations.

[0259] As shown in FIG. 53, the collection **2200** can include a first rentable unit **2202** encompassing at least a portion of the classroom **2108a**, and a second rentable unit **2204** encompassing at least a portion of the classroom **2108b**. Within the oversized room **2114**, the collection **2200** can include a compartmentalizing assembly **2206** defining a first compartment **2208** and a second compartment **2210**. The collection **2200** can further include a third rentable unit **2212** encompassing at least a portion of the first compartment **2208**, a fourth rentable unit **2214** encompassing at least a portion of the second compartment **2210**, and additional rentable units **2215** encompassing at least portions of the classrooms **2108c-2108h**, respectively. Additional features of the illustrated embodiment will now be described at least primarily with regard to the first, second, and third rentable units **2202**, **2204**, **2212**. It should be understood that the same or similar features can be present in the fourth rentable unit **2214** and the additional rentable units **2215** unless the context clearly indicates otherwise. Similarly, features of other illustrated embodiments may be described at least

primarily with respect to counterparts of the first, second, and third rentable units **2202**, **2204**, **2212** with the understanding that the same or similar features can be present in corresponding counterparts of the fourth rentable unit **2214** and corresponding counterparts of the additional rentable units **2215** unless the context clearly indicates otherwise.

[0260] The first, second, and third rentable units **2202**, **2204**, **2212** can include respective bathrooms **2216** (individually identified as bathrooms **2216a-2216c**) disposed (e.g., removably disposed) in operable association with the classrooms **2108a**, **2108b**, and the first compartment **2208**, respectively. For example, the bathrooms **2216a-2216c** can be removably disposed within the classrooms **2108a**, **2108b**, and the first compartment **2208**, respectively. The bathrooms **2216** can be reusable. In the illustrated embodiment, the bathrooms **2216** are assemblies of reusable bathroom modules configured for rapid deployment into and removal from the school building **2100** in an at least partially disassembled state. For example, the bathrooms **2216** can be made up mostly or entirely of reusable modular components. In other embodiments, the bathrooms **2216** can be portable bathroom units, such as bathroom units configured for rapid deployment into and removal from the school building **2100** without significant disassembly. This deployment and removal can occur by forklift, by dolly, by operation of wheels integrated into the bathrooms **2216**, or in another suitable manner. In still other embodiments, the bathrooms **2216** can have other suitable forms.

[0261] The collection **2200** can further include plumbing drain lines **2218** (individually identified as plumbing drain lines **2218a-2218c**) through which the bathrooms **2216** are operably connected, respectively, to the plumbing drain trunk line **2142**. Similarly, the collection **2200** can include cold water supply lines **2220** (individually identified as cold water supply lines **2220a-2220c**) through which the bathrooms **2216** are operably connected, respectively, to the water supply trunk line **2144**. Also similarly, the collection **2200** can include hot water supply lines **2222** (individually identified as hot water supply lines **2222a-2222c**) through which the bathrooms **2216** are operably connected, respectively, to the water supply trunk line **2144**. Thus, in at least some embodiments, the bathrooms **2216** are tethered to the plumbing drain trunk line **2142** and the water supply trunk line **2144**. The plumbing drain lines **2218**, cold water supply lines **2220**, and hot water supply lines **2222** can be removably disposed inside and/or outside the school building **2100**. For example, the plumbing drain lines **2218**, cold water supply lines **2220**, and hot water supply lines **2222** can be temporary and configured for reuse or disposal after the collection **2200** is decommissioned. Alternatively, the plumbing drain lines **2218**, cold water supply lines **2220**, and hot water supply lines **2222** can be permanently disposed inside and/or outside the school building **2100**, such as in a manner that does not interfere significantly with the school use of the school building **2100**.

[0262] The collection **2200** can further include plumbing ventilation lines **2224** (individually identified as plumbing ventilation lines **2224a-2224c**) and exhaust lines **2226** (individually identified as exhaust lines **2226a-2226c**) through which the bathrooms **2216** are operably connected, respectively, to an exterior of the school building **2100**. For example, the collection **2200** can include exhaust filters **2228** (e.g., containing activated carbon) disposed (e.g., removably disposed) on suitable exterior surfaces of the

permanent walls **2102**, and the plumbing ventilation lines **2224** and exhaust lines **2226** can extend between the bathrooms **2216** and the exhaust filters **2228**. The collection **2200** can still further include electrical lines **2229** (individually identified as electrical lines **2229a-2229c**) through which the bathrooms **2216** are operably connected, respectively, to electrical outlets (not shown) on interior surfaces of the permanent walls **2102**. For clarity of illustration, counterparts of the plumbing ventilation lines **2224**, the exhaust lines **2226**, the exhaust filters **2228**, and the electrical lines **2229** are not shown for bathrooms of the collection **2200** other than the bathrooms **2216a-2216c**. Nor are counterparts of the plumbing ventilation lines **2224**, the exhaust lines **2226**, the exhaust filters **2228**, and the electrical lines **2229** shown for bathrooms of the collections illustrated in FIGS. **75**, **76** and **81-85**, as described below. It should be understood that counterparts of the plumbing ventilation lines **2224**, the exhaust lines **2226**, the exhaust filters **2228**, and the electrical lines **2229** can be present for any of the other bathrooms of the collection **2200** and the bathrooms of the collections **2600**, **2700**, **3000**, **3100**, **3200**, **3300**, **3400** illustrated in FIGS. **75**, **76** and **81-85**.

[0263] With reference again to FIG. **53**, in the illustrated embodiment, the plumbing drain line **2218a**, the cold water supply line **2220a**, and the hot water supply line **2222a** extend along respective drainage or supply routes between the bathroom **2216a** and the school bathroom **2110a** via the main stairway **2112a** and retrofitted openings (not shown) in the permanent walls **2102**. The plumbing drain line **2218b**, the cold water supply line **2220b**, and the hot water supply line **2222b** extend between the bathroom **2216b** and the school bathroom **2110a** via one of the doorway openings **2120** of the classroom **2108b**, the hallway **2106**, and the doorway opening **2120** of the school bathroom **2110a**. The plumbing drain line **2218c**, the cold water supply line **2220c**, and the hot water supply line **2222c** extend between the bathroom **2216c** and the school bathroom **2110a** via the classroom **2108g**, the classroom **2108h**, and retrofitted openings (not shown) in the permanent walls **2102**. In other embodiments, the plumbing drain lines **2218**, cold water supply lines **2220**, and hot water supply lines **2222** can have other suitable drainage and/or supply routes within the school building **2100** and/or outside of the school building **2100**. When present, the retrofitted openings in the permanent walls **2102** can be at least substantially reversible. For example, the retrofitted openings can be formed when the school building **2100** is initially retrofitted to accommodate the collection **2200** in a manner that allows the retrofitted openings to be conveniently reclosed when the collection **2200** is decommissioned. In a particular example, the retrofitted openings are outfitted with cabinet-style doors (not shown) that can be maintained open when the retrofitted openings are in use and maintained closed when the retrofitted openings are not in use.

[0264] The plumbing drain lines **2218**, cold water supply lines **2220**, and hot water supply lines **2222** can be above-ground, such as positioned above a ground surface outside the school building **2100** along the corresponding drainage or supply routes. In addition or alternatively, the plumbing drain lines **2218**, cold water supply lines **2220**, and hot water supply lines **2222** can be above-floor, such as positioned above a finished floor surface of the school building **2100** along the corresponding drainage or supply routes. Furthermore, the plumbing drain lines **2218**, cold water supply lines

**2220**, and hot water supply lines **2222** can have respective lengths of at least two meters (e.g., at least four meters). In the illustrated embodiment, the plumbing drain line **2218a**, the plumbing drain line **2218b**, the cold water supply line **2220a**, the cold water supply line **2220b**, the hot water supply line **2222a**, and the hot water supply line **2222b** are above-floor and extend over respective lengths of at least two meters (e.g., at least four meters) within the hallway **2106**. The plumbing drain line **2218c**, the cold water supply line **2220c**, and the hot water supply line **2222c** are also above-floor and extend over respective lengths of at least two meters (e.g., at least four meters) within the classrooms **2108g**, **2108h**. In other embodiments, all of the plumbing drain lines **2218**, cold water supply lines **2220**, and hot water supply lines **2222** can have respective lengths of at least two meters (e.g., at least four meters) within the hallway **2106**, within suitable combinations of the classrooms **2108**, and/or elsewhere within or outside the school building **2100**.

[0265] The plumbing drain lines **2218** can be sloped to convey liquid waste from the corresponding bathrooms **2216** toward the plumbing drain trunk line **2142** (e.g., via the school bathroom **2110a**) at least partially by gravity. To facilitate this sloping and/or for other reasons, the bathrooms **2216** can have respective floor levels at least 0.5 meter (e.g., at least 1 meter) higher than corresponding underlying floor levels of the school building **2100**, such as floor levels at the classrooms **2108a**, **2108b** and the first compartment **2208**, respectively. As shown in FIG. **53**, the collection **2200** can include bridges **2230** disposed over respective bundles of the plumbing drain lines **2218**, cold water supply lines **2220**, and hot water supply lines **2222**. Like many other components of the collection **2200**, the bridges **2230** can be reusable and removably disposed within the school building **2100**. The bridges **2230** can be useful, for example, to facilitate pedestrian traversal of the bundles when the hallway **2106** is accessible to occupants of the first, second, and third rentable units **2202**, **2204**, **2212**.

[0266] Retrofits to the school building **2100** that cause the school building **2100** to adapt from being well suited for a school use to being well suited for an alternative use can include removing the school desks **2128**, school chairs **2130**, and toilets **2136** from their respective locations when the school building **2100** is in the first state (e.g., their respective locations shown in FIG. **52**). In the illustrated embodiment, the school desks **2128**, school chairs **2130**, and toilets **2136** are stowed compactly (e.g., close together and/or stacked) within the oversized room **2114**. In other embodiments the school desks **2128**, school chairs **2130**, and toilets **2136** can be removed from the school building **2100** or stored in another suitable location within the school building **2100**. The retrofits can further include removing some or all of the doors **2126**. For example, FIG. **53** shows that the door **2126** at the doorway opening **2120** of the school bathroom **2110a** and the door **2126** at one of the doorway openings **2120** of the classroom **2108b** are removed to facilitate passage of the plumbing drain line **2218b**, the cold water supply line **2220b**, and the hot water supply line **2222b** between the bathroom **2216b** and the school bathroom **2110a**. The bathroom **2216b** can be positioned within the classroom **2108b** such that access to the classroom **2108b** via the doorless doorway opening **2120** of the classroom **2108b** is blocked. The retrofits can also include forming the openings in the permanent walls **2102** through which the plumbing drain lines **2218a**, **2218c**, the cold water supply lines **2220a**,

**2220c**, the hot water supply lines **2222a**, **2222c**, the plumbing ventilation lines **2224**, and the exhaust lines **2226** extend. Forming these openings and suitable other retrofits of the school building **2100** can be permanent and completed in conjunction with an initial adaptation of the school building **2100** from being well suited for the school use to being well suited for the alternative use. These permanent retrofits can then be reused in conjunction with streamlined subsequent adaptations of the school building **2100** from being well suited for the school use to being well suited for the alternative use.

[0267] The school bathroom **2110a** can include toilet hookups **2232** that are exposed when the toilets **2136** are removed. Similarly, the school bathroom **2110a** can include sink hookups **2233** that are exposed when the sinks **2138** are disconnected. The bathrooms **2216** and the plumbing drain lines **2218** can be operably connected to the plumbing drain trunk line **2142** via the toilet hookups **2232**. Similarly, the bathrooms **2216** and the cold and hot water supply lines **2220**, **2222** can be operably connected to the water supply trunk line **2144** via the sink hookups **2233**. In the illustrated embodiment, the collection **2200** includes a sewage detention tank **2234**, a cold water reservoir **2236**, and a hot water reservoir **2238** removably disposed within the school bathroom **2110a**, such as removably disposed above a finished floor surface of the school bathroom **2110a**. In other embodiments, the sewage detention tank **2234**, the cold water reservoir **2236**, and the hot water reservoir **2238** can be permanently disposed within the school bathroom **2110a**, removably or permanently disposed within the hallway **2106**, or removably or permanently disposed elsewhere within the school building **2100** or outside the school building **2100**.

[0268] The sewage detention tank **2234** can be useful, for example, to increase a capacity of the school bathroom **2110a** to remove liquid waste from the bathrooms **2216**. As shown in FIG. 53, the total number of the bathrooms **2216** and counterpart bathrooms operably connected to the school bathroom **2110a** can exceed a total number of toilet hookups **2232** within the school bathroom **2110a**. Accordingly, in the illustrated embodiment, while the plumbing drain line **2218b** is operably connected to the plumbing drain trunk line **2142** via one of the toilet hookups **2232** in a dedicated manner, the plumbing drain lines **2218a**, **2218c** share another of the toilet hookups **2232**. The bathrooms **2216a**, **2216c** and the plumbing drain lines **2218a**, **2218c** can be operably connected to the plumbing drain trunk line **2142** via the sewage detention tank **2234**, which, in turn, can be operably connected to the plumbing drain trunk line **2142** via one of the toilet hookups **2232**.

[0269] Due to the presence of the sewage detention tank **2234**, spikes in flow through the plumbing drain lines **2218a**, **2218c** can be attenuated, thereby increasing the effective capacity of the school bathroom **2110a** to handle liquid waste. Similarly, the cold and hot water reservoirs **2236**, **2238** can increase a capacity of the school bathroom **2110a** to supply cold and hot water, respectively, to the bathrooms **2216**. The bathrooms **2216** can be operably connected to the water supply trunk line **2144** via the cold and hot water reservoirs **2236**, **2238**. In at least some cases, the sinks **2138** are disconnected to allow for operable connection of the cold and hot water reservoirs **2236**, **2238** to the water supply trunk line **2144** via the sink hookups **2233**. In these and other cases, the hot water reservoir **2238** can include a heater to

boost the capacity of an existing school water heater (not shown) along a branch of the water supply trunk line **2144** that supplies hot water to the school bathroom **2110a**. When the bathrooms **2216** include showers and in other cases, the hot-water demand associated with the collection **2200** can significantly exceed that of the school building **2100** during the school use. Use of a heater in conjunction with the hot water reservoir **2238** can at least partially address this deficiency. In a similar manner, the collection **2200** can include other suitable components for increasing or otherwise modifying the capacity of permanent systems of the school building **2100**. For example, the collection **2200** can include an electrical generator (not shown) operably connected to the first, second, and third rentable units **2202**, **2204**, **2212** to increase the capacity of permanent electrical system (not shown) of the school building **2100**.

[0270] Each of the first, second, and third rentable units **2202**, **2204**, **2212** can be furnished or otherwise outfitted with suitable furnishings, fixtures, accessories, etc. to accommodate a corresponding alternative use. In the illustrated embodiment, the first, second, and third rentable units **2202**, **2204**, **2212** are respective lodging units with suitable furnishings, fixtures, accessories, etc. to accommodate lodging use. For example, each of the first, second, and third rentable units **2202**, **2204**, **2212** can include a bed **2240**, side tables **2242**, upholstered chairs **2244**, a writing table **2246**, a sofa **2248**, coffee tables **2250**, a television **2252**, a kitchenette **2254**, and a set of step stairs **2256**. The kitchenettes **2254** and the sets of step stairs **2256** can be operably associated with the corresponding bathrooms **2216**. In other embodiments, the first, second, and third rentable units **2202**, **2204**, **2212** can include other suitable furnishings, fixtures, accessories, etc. Furthermore, the furnishings, fixtures, accessories, etc. of the first, second, and third rentable units **2202**, **2204**, **2212** need not be consistent. In some cases, the first, second, and third rentable units **2202**, **2204**, **2212** accommodate different types of alternative uses and/or accommodate the same type of alternative use, but have dissimilar furnishings, fixtures, accessories, etc. As described in further detail below, the first, second, and third rentable units **2202**, **2204**, **2212** can accommodate lodging uses, residential uses (e.g., short-term residential uses), office uses (e.g., short-term office uses), assembly uses (e.g., short-term assembly uses), and combinations thereof, among other possible types of alternative uses.

[0271] FIGS. 54, 55, 56 and 57 are, respectively, a first side profile view, an opposite second side profile view, a first end profile view, and an opposite second end profile view of the bathroom **2216c**. The bathroom **2216c** will now be described with the understanding that the bathrooms **2216a**, **2216b** can have the same or similar features. With reference to FIGS. 54-57 together, the bathroom **2216c** can include a rectangular floor module **2300**, a rectangular ceiling module **2302** vertically spaced apart from the floor module **2300**, and a plurality of wall modules **2304** (individually identified as wall modules **2304a-2304d**) removably connected to the floor and ceiling modules **2300**, **2302** at respective perimeter portions of the floor and ceiling modules **2300**, **2302**. The bathroom **2216c** can further include a lower gasket **2306** disposed between the perimeter portion of the floor module **2300** and the wall modules **2304**, and an upper gasket **2308** disposed between the perimeter portion of the ceiling module **2302** and the wall modules **2304**. The floor module **2300** can include upwardly extending tabs **2310** through which



the floor module **2300** is secured to the wall modules **2304**. Similarly, the ceiling module **2302** can include downwardly extending tabs **2312** through which the ceiling module **2302** is secured to the wall modules **2304**. The wall modules **2304c**, **2304d** can include vertical flanges **2314** at which the wall modules **2304c**, **2304d** are secured to the wall modules **2304a**, **2304b**. The bathroom **2216c** can include bolts **2316** and associated nuts **2318** at the upwardly extending tabs **2310**, the downwardly extending tabs **2312**, and the vertical flanges **2314**.

[0272] At the wall module **2304a** (FIG. 56), the bathroom **2216c** can include a doorway opening **2320**, a frame **2322** extending around the doorway opening **2320**, and a door **2324** disposed within the doorway opening **2320** and hingedly connected to the frame **2322**. The bathroom **2216c** can further include a handle **2326** and hinges **2328** operably associated with the door **2324**. At the wall module **2304b** (FIG. 57), the bathroom **2216c** can include a plumbing ventilation hookup **2330** and an exhaust hookup **2332**. The plumbing ventilation hookup **2330** and the exhaust hookup **2332** can be configured for convenient connection to and disconnection from the plumbing ventilation line **2224c** and the exhaust line **2226c** (FIG. 53), respectively, such as via quick release couplings (not shown). The wall modules **2304c**, **2304d** can extend between the wall modules **2304a**, **2304b** at opposite sides of the bathroom **2216c**. As discussed above, the bathroom **2216c** can be configured to be elevated above a floor surface of the first compartment **2208**. For this purpose and/or another suitable purpose, the floor module **2300** can include feet **2333**. In at least some embodiments, a gap between the feet **2333** is large enough to allow the bathroom **2216c**, when fully assembled, to be conveniently moved by forklift. At the ceiling module **2302**, the bathroom **2216c** can include skylights **2334** that allow ambient light within the first compartment **2208** to enter an interior of the bathroom **2216c**.

[0273] At a side of the floor module **2300** below the wall module **2304c**, the bathroom **2216c** can include a main plumbing drain hookup **2335**, a main cold water supply hookup **2336**, and a main hot water supply hookup **2338**. At an end of the floor module **2300** below the wall module **2304b**, the bathroom **2216c** can include a main electrical hookup **2340**. The main plumbing drain hookup **2335**, the main cold water supply hookup **2336**, the main hot water supply hookup **2338**, and the main electrical hookup **2340** can be configured for convenient connection to and disconnection from the plumbing drain line **2218c**, the cold water supply line **2220c**, the hot water supply line **2222c**, and the electrical line **2229c**, respectively, such as via quick release couplings (not shown). At a side of the floor module **2300** below the wall module **2304d**, the bathroom **2216c** can include an auxiliary plumbing drain hookup **2342**, an auxiliary cold water supply hookup **2344**, an auxiliary hot water supply hookup **2346**, and an auxiliary electrical hookup **2348**. The auxiliary plumbing drain hookup **2342**, the auxiliary cold water supply hookup **2344**, the auxiliary hot water supply hookup **2346**, and the auxiliary electrical hookup **2348** can be configured for convenient connection to and disconnection from corresponding lines (not shown) of the kitchenette **2254**, such as via quick release couplings (not shown).

[0274] FIG. 58 is a cross-sectional top plan view of the bathroom **2216c** taken along the line 58-58 in FIG. 54. As shown in FIG. 58, the floor module **2300** can include a deck

**2354**, and the bathroom **2216c** can include a sink **2356**, a toilet **2358**, and a bathtub/shower **2360** disposed (e.g., removably disposed) on the deck **2354**. The sink **2356** can include a basin **2362**, a sink drain **2364**, a sink faucet **2366**, a sink hot water knob **2368**, and a sink cold water knob **2370** operably connected to one another. The toilet **2358** can include a tank **2372**, a bowl **2374**, and a toilet drain **2376** operably connected to one another. The bathtub/shower **2360** can include a tub **2378**, a tub drain **2380**, a tub faucet **2382**, a tub cold water knob **2384**, a tub hot water knob **2386**, a cold water conduit **2388**, and a hot water conduit **2390** operably connected to one another. The cold water conduit **2388** can include a riser **2392** and a first branch **2394** extending between the riser **2392** and the tub faucet **2382**. The tub cold water knob **2384** can be disposed along the first branch **2394** and operable to control a flow of cold water from the cold water conduit **2388** to the tub faucet **2382**. Similarly, the hot water conduit **2390** can include a riser **2396** and a first branch **2398** extending between the riser **2396** and the tub faucet **2382**. The tub hot water knob **2386** can be disposed along the first branch **2398** and operable to control a flow of hot water from the hot water conduit **2390** to the tub faucet **2382**.

[0275] The bathroom **2216c** can further include an electrical conduit **2400**, a junction box **2402** operably connected to the electrical conduit **2400**, a plumbing ventilation conduit **2404** disposed between the sink **2356** and the toilet **2358**, and a floor drain **2406** disposed between the toilet **2358** and the bathtub/shower **2360**. FIG. 59 is an enlarged view of a portion of FIG. 58. With reference to FIGS. 58 and 59 together, the bathroom **2216c** can include vertical gaskets **2408** disposed between the respective vertical flanges **2314** and corresponding portions of the wall modules **2304a**, **2304b**. Similarly, the bathroom **2216c** can include lower tab gaskets **2410** disposed between the respective upwardly extending tabs **2310** and corresponding portions of the wall modules **2304**.

[0276] FIG. 60 is a cross-sectional bottom plan view of the bathroom **2216c** taken along the line 60-60 in FIG. 54. As shown in FIG. 60, the bathroom **2216c** can include a light fixture **2412** attached to the wall module **2304c** above the sink **2356**. The bathroom **2216c** can further include an exhaust intake fan **2414** attached to the ceiling module **2302**. The electrical conduit **2400** can extend from the junction box **2402** (FIG. 58) to the light fixture **2412**, and from the light fixture **2412** to the exhaust intake fan **2414**. The plumbing ventilation conduit **2404** can extend along an inner corner between the ceiling module **2302** and the wall modules **2304b**, **2304c** to the plumbing ventilation hookup **2330** (FIG. 57). The bathroom **2216c** can include an exhaust conduit **2416** extending between the exhaust intake fan **2414** and the exhaust hookup **2332** (FIG. 57). Above one end of the tub **2378** (FIG. 58), the bathtub/shower **2360** (FIG. 58) can include a showerhead **2418**, a shower cold water knob **2420** operably connected to the cold water conduit **2388**, and a shower hot water knob **2422** operably connected to the hot water conduit **2390**. The cold water conduit **2388** can include a second branch **2424** extending between the riser **2392** and the showerhead **2418**. The shower cold water knob **2420** can be disposed along the second branch **2424** and operable to control a flow of cold water from the cold water conduit **2388** to the showerhead **2418**. Similarly, the hot water conduit **2390** can include a second branch **2426** extending between the riser **2396** and the showerhead **2418**.

The shower hot water knob **2422** can be disposed along the second branch **2426** and operable to control a flow of hot water from the hot water conduit **2390** to the showerhead **2418**. The bathroom **2216c** can include upper tab gaskets **2428** disposed between the respective downwardly extending tabs **2312** and corresponding portions of the wall modules **2304**.

[0277] FIG. **61** is a cross-sectional top plan view of the bathroom **2216c** taken along the line **61-61** in FIG. **54**. With reference to FIGS. **54**, **55**, **58** and **61** together, the floor module **2300** can include a skirt **2430** and a series of parallel spaced-apart joists **2432** within the skirt **2430**. The bathroom **2216c** can include a main plumbing drain conduit **2434** operably connected to the main plumbing drain hookup **2335** and the toilet drain **2376**. The main plumbing drain conduit **2434** can include branches **2436** (individually identified as branches **2436a-2436d**) operably connected to the plumbing ventilation conduit **2404**, the sink drain **2364**, the tub drain **2380**, and the floor drain **2406**, respectively. The main plumbing drain conduit **2434** can further include a sub-branch **2438** operably connected to the auxiliary plumbing drain hookup **2342** via the branch **2436b**. The branches **2436c**, **2436d** can include respective traps **2440**. Furthermore, the main plumbing drain conduit **2434** and the branches **2436** can include respective caps **2442**. The bathroom **2216c** can include wheels **2443** (e.g., swivel casters) integrated into the floor module **2300**. In the illustrated embodiment, the wheels **2443** are embedded within the feet **2333** and accessible via inwardly facing openings (not shown) of the feet **2333**. The individual wheels **2443** can be movable between a retracted state and an extended state. For example, the bathroom **2216c** can include posts **2444** having threads (not shown) that engage corresponding threads (not shown) of the wheels **2443** such that the wheels **2443** can be rotatably moved between the retracted and extended states. Moving the wheels **2443** from the retracted state to the extended state can lift the bathroom **2216c** off a corresponding floor surface, thereby allowing the bathroom **2216c** to be conveniently moved along the floor surface.

[0278] The bathroom **2216c** can further include a main cold water conduit **2445** and a main hot water conduit **2446** operably connected to the main cold water supply hookup **2336** and the main hot water supply hookup **2338**, respectively. The main cold water conduit **2445** can include branches **2448** (individually identified as branches **2448a**, **2448b**) operably connected to the sink **2356** and the bathtub/shower **2360** (via the riser **2392**), respectively. The main cold water conduit **2445** can further include a sub-branch **2450a** operably connected to the auxiliary cold water supply hookup **2344** via the branch **2448a**. The main cold water conduit **2445** can still further include a sub-branch **2450b** operably connected to the toilet **2358** via the branch **2448b**. The main hot water conduit **2446** can include branches **2452** (individually identified as branches **2452a**, **2452b**) operably connected to the sink **2356** and the bathtub/shower **2360** (via the riser **2396**), respectively. The main hot water conduit **2446** can further include a sub-branch **2454** operably connected to the auxiliary hot water supply hookup **2346** via the branch **2452a**. The bathroom **2216c** can still further include a main electrical conduit **2456** operably connected to the main electrical hookup **2340**. The main electrical conduit **2456** can include branches **2458** (individually identified as

branches **2458a**, **2458b**) operably connected to the electrical conduit **2400** and the auxiliary electrical hookup **2348**, respectively.

[0279] FIG. **62** is a cross-sectional bottom plan view of the bathroom **2216c** taken along the line **62-62** in FIG. **54**. As shown in FIG. **62**, the bathroom **2216c** can include a floor heating system **2460** operably associated with the deck **2354**. The floor heating system **2460** can include a control box **2462** operably connected to the main electrical conduit **2456**, and a heating cable **2464** operably connected to the control box **2462**. The heating cable **2464** can have a serpentine configuration and be directly connected to an underside of the deck **2354** between the joists **2432**. With reference to FIGS. **54-62** together, the floor drain **2406**, the main plumbing drain conduit **2434** (e.g., including its branches **2436** and sub-branch **2438**), the main cold water conduit **2445** (e.g., including its branches **2448** and sub-branch **2450**), the main hot water conduit **2446** (e.g., including its branches **2452** and sub-branch **2454**), the main electrical conduit **2456** (e.g., including its branches **2458**), the floor heating system **2460**, and/or other suitable components of the bathroom **2216c** can be pre-installed components of the floor module **2300**. Similarly, the supply plumbing for the bathtub/shower **2360** (e.g., including the tub faucet **2382**, the cold water conduit **2388**, the hot water conduit **2390**, and the showerhead **2418**), the light fixture **2412**, and/or other suitable components of the bathroom **2216c** can be pre-installed components of the wall module **2304c**. These and/or other aspects of the bathroom **2216c** can facilitate rapid deployment, removal, and redeployment of the bathroom **2216c**.

[0280] FIG. **63** is top plan view of wall component types included in the compartmentalizing assembly **2206** (FIG. **53**). As further described below, the compartmentalizing assembly **2206** can be made up mostly or entirely of reusable modular components. For example, the compartmentalizing assembly **2206** can include staggered rows of wall components of a first type **2500**. At portions of the compartmentalizing assembly **2206** closest to the permanent walls **2102**, the compartmentalizing assembly **2206** can include wall components of a second type **2502** respectively disposed at every other row of the compartmentalizing assembly **2206** between the wall components of the first type **2500**. In at least some embodiments, the wall components of the first type **2500** have rectangular footprints with aspect ratios of 2:1. In these and other embodiments, the wall components of the second type **2502** can have square footprints. Thus, when seams between the wall components of the first type **2500** are evenly staggered row-to-row, the wall components of the second type **2502** can cap the short rows, thereby giving the compartmentalizing assembly **2206** vertical end portions at or near the permanent walls **2102**. Similarly, the compartmentalizing assembly **2206** can include wall components of a full-size third type **2504** and wall components of a reduced-size fourth type **2506** that can alternately stacked to form a T-shaped intersection of the compartmentalizing assembly **2206**. In other embodiments, corresponding compartmentalizing assemblies can include full-size and reduced-size L-shaped wall components that can be stacked to form an L-shaped intersection, full-size and reduced-size cross-shaped wall components that can be stacked to form a cross-shaped intersection, and/or wall components of other suitable forms.

[0281] FIG. 64 is an enlarged view of a portion of FIG. 53. FIGS. 65 and 66 are, respectively, a first side profile view and an opposite second side profile view corresponding to the portion of FIG. 53 shown in FIG. 64. With reference to FIGS. 53 and 63-66 together, the illustrated portion of the compartmentalizing assembly 2206 can include reusable wall components 2508 of the first and second types 2500, 2502 removably disposed within the oversized room 2114. For example, the oversized room 2114 can have a finished floor surface 2510 over which the wall components 2508 are removably disposed, a finished wall surface 2512 beside which the wall components 2508 are removably disposed, and a finished ceiling surface 2514 below which the wall components 2508 are removably disposed. The compartmentalizing assembly 2206 can include a liner 2516 disposed (e.g., removably or permanently disposed) on the finished floor surface 2510 below the wall components 2508. For example, the liner 2516 can be adhesively connected to the finished floor surface 2510. The liner 2516 can be useful, for example, to protect the finished floor surface 2510 from other components of the compartmentalizing assembly 2206, to facilitate layout of the compartmentalizing assembly 2206, to reduce or eliminate the possibility of shifting of the compartmentalizing assembly 2206, and/or for other suitable purposes. Suitable materials for the liner 2516 include strips of peel-and-stick house wrap and strips of peel-and-stick roof underlayment. The liner 2516 can be disposable or reusable.

[0282] In at least some embodiments, the compartmentalizing assembly 2206 includes additional components that facilitate compatibility between the wall components 2508 and the oversized room 2114 when the wall components 2508 have standard dimensions and the oversized room 2114 has irregular dimensions. For example, the compartmentalizing assembly 2206 can include a mass of self-leveling material 2518 (e.g., a disposable mass of hardened self-leveling grout) under the wall components 2508 and over the liner 2516. The mass of self-leveling material 2518 can be molded and, in at least some cases, is integrally formed along most or all of an overall footprint of the compartmentalizing assembly 2206. During formation of the mass of self-leveling material 2518, the constituent self-leveling material can be of sufficiently low viscosity to level itself by gravity. Thus, the mass of self-leveling material 2518 can automatically conform to slopes, dips, and other irregularities in the finished floor surface 2510. When at least partially cured, the mass of self-leveling material 2518 can provide the compartmentalizing assembly 2206 with a reliably level surface that facilitates vertical stacking of the wall components 2508.

[0283] As shown in FIGS. 64 and 66, the compartmentalizing assembly 2206 can include compressible batting 2520 disposed (e.g., stuffed) into a vertical gap between the wall components 2508 and the finished wall surface 2512 and disposed (e.g., stuffed) into a horizontal gap between the wall components 2508 and the finished ceiling surface 2514. In at least some embodiments, the batting 2520 is reusable. Furthermore, the batting 2520 can be non-combustible. For example, the batting 2520 can be reusable bundles of lined or unlined mineral wool insulation. At a side of the compartmentalizing assembly 2206 closest to the first compartment 2208, the compartmentalizing assembly 2206 can include molding panels 2522 that hide the batting 2520. The molding panels 2522 can be attached to the wall components

2508 magnetically, adhesively, mechanically, or in another suitable manner. In some embodiments, the overall compartmentalizing assembly 2206 is self-supporting, free-standing, and has a fire rating of at least two hours. In other embodiments, the overall compartmentalizing assembly 2206 can have only some or none of these attributes.

[0284] FIG. 67 is an enlarged view of a portion of FIG. 66. As shown in FIG. 67, the wall components 2508 can be stacked within the compartmentalizing assembly 2206. Furthermore, the wall components 2508 can be interlocking within the compartmentalizing assembly 2206. For example, the individual wall components 2508 can include downwardly extending flanges 2524 that are received within successively lower wall components 2508. At the mass of self-leveling material 2518, the compartmentalizing assembly 2206 can include base blocks 2526 configured to receive the flanges 2524 of the wall components 2508 within a lowest row of wall components 2508 within the compartmentalizing assembly 2206. When fully assembled, the compartmentalizing assembly 2206 can be strong enough to support fixtures and accessories (e.g., electrical conduits, monitors, shelving, moldings, artwork, furniture supports, etc.). In at least some embodiments, exposed portions of the wall components 2508 are at least partially made of ferrous metal such that suitable fixtures and accessories can be connected to the compartmentalizing assembly 2206 magnetically. In addition or alternatively, the wall components 2508 can include coupling components 2528 that allow suitable fixtures and accessories to be connected to the compartmentalizing assembly 2206 mechanically and/or by gravity.

[0285] FIG. 68 is side profile view of a given one of the wall components 2508 of the first type 2500 separate from other portions of the compartmentalizing assembly 2206. FIG. 69 is a cross-sectional top plan view of the given wall component 2508 taken along the line 69-69 in FIG. 68. FIG. 70 is a cross-sectional end plan view of the given wall component 2508 taken along the line 70-70 in FIG. 68. In at least some embodiments, other (e.g., most or all) of the wall components 2508 of the first type 2500 within the compartmentalizing assembly 2206 at least substantially match the given wall component 2508 illustrated in FIGS. 68-70. With reference to FIGS. 68-70 together, the given wall component 2508 can include a first side panel 2530 and an opposite second side panel 2532 parallel to and spaced apart from the first side panel 2530. Similarly, the given wall component 2508 can include a first end panel 2534 and an opposite second end panel 2536 parallel to and spaced apart from the first end panel 2534. The first and second side panels 2530, 2532 and the first and second end panels 2534, 2536 can define an interior region of the given wall component 2508 shaped, for example, as a rectangular solid. The given wall component 2508 can include two of the flanges 2524 at the first side panel 2530 and other two of the flanges 2524 at the second side panel 2532. As shown in FIG. 68, the flanges 2524 can be parallel to and inset relative to the corresponding first and second side panels 2530, 2532. Between the flanges 2524 at the first side panel 2530 and between the flanges 2524 at the second side panel 2532, the given wall component 2508 can include respective slots 2538.

[0286] When the given wall component 2508 is assembled with other wall components 2508 of the first type 2500 within the compartmentalizing assembly 2206, one of the flanges 2524 at the first side panel 2530 and an opposing one

of the flanges 2524 at the second side panel 2532 can be received within the interior region of a first neighboring lower wall component 2508. Similarly, the other of the flanges 2524 at the first side panel 2530 and the other of the flanges 2524 at the second side panel 2532 can be received within the interior region of a second neighboring lower wall component 2508 adjacent to the first neighboring lower wall component 2508. The second end panel 2536 of the first neighboring lower wall component 2508 and the first end panel 2534 of the second neighboring lower wall component 2508 can be directly adjacent to one another and received within the slots 2538 of the given wall component 2508. This interaction between the wall components 2508 can facilitate convenient assembly of the compartmentalizing assembly 2206 with neighboring rows of the wall components 2508 evenly staggered.

[0287] In at least some embodiments, the given wall component 2508 is rigid and the first and second side panels 2530, 2532 and the first and second end panels 2534, 2536 provide the given wall component 2508 with most of its rigidity. In the illustrated embodiment, the first and second side panels 2530, 2532 are thinner than the first and second end panels 2534, 2536 and made of a different material. For example, the first and second side panels 2530, 2532 can be metal (e.g., iron) and the first and second end panels 2534, 2536 can be cementitious (e.g., fiber-reinforced cement). The metal composition of the first and second side panels 2530, 2532 can be useful, for example, for aesthetics, to facilitate magnetic coupling of fixtures and accessories to the compartmentalizing assembly 2206, and/or for another reason. The cementitious composition of the first and second end panels 2534, 2536 can be useful, for example, to enhance the fire rating of the compartmentalizing assembly 2206, to reduce noise transmission through the compartmentalizing assembly 2206, and/or for another reason. In other embodiments, the first and second side panels 2530, 2532 and the first and second end panels 2534, 2536 can have other suitable forms and/or compositions.

[0288] The given wall component 2508 can further include compressible batting 2540 disposed within its interior region. Similar to the batting 2520 described above, the batting 2540 can be reusable and/or non-combustible. For example, the batting 2538 can be reusable bundles of lined or unlined mineral wool insulation. In at least some embodiments, the batting 2540 is removable. Furthermore, the first and second side panels 2530, 2532 and the first and second end panels 2534, 2536 can be collapsible. For example, at the corners where the first and second side panels 2530, 2532 and the first and second end panels 2534, 2536 meet, the given wall component 2508 can include hinges (not shown), such as flexure bearings or piano hinges that allow each corner to fold in a direction that causes the first and second side panels 2530, 2532 and the first and second end panels 2534, 2536 to flatten. This feature along with the compressibility of the batting 2540 can facilitate efficient storage and transport of the given wall component 2508 between deployments. When the first and second side panels 2530, 2532 and the first and second end panels 2534, 2536 are collapsible, the given wall component 2508 can include a rectangular inset (not shown) that rests on upper edges of the flanges 2524. The inset can be removably disposed within the interior of the given wall component 2508 to cause the given wall component 2508 to maintain its rectangular form during use. When the first and second side

panels 2530, 2532 and the first and second end panels 2534, 2536 are to be collapsed, the inset can be removed.

[0289] FIG. 71 is an enlarged view of a portion of FIG. 70. As shown in FIG. 71, a lowermost portion of the first side panel 2530 can overlap an uppermost portion of one of the flanges 2524. FIG. 71 further illustrates a given one of the coupling components 2528 at the lowermost portion of the first side panel 2530. In at least some embodiments, other (e.g., most or all) of the coupling components 2528 of wall components 2508 within the compartmentalizing assembly 2206 at least substantially match the coupling component 2528 illustrated in FIG. 71. The coupling component 2528 can include a notch 2542 and a plug 2544 removably disposed within the notch 2542. The plug 2544 can include a magnet 2546 that releasably connects the plug 2544 to the uppermost portion of the adjacent flange 2524. The plug 2544 can be disposed within the notch 2542 when the coupling component 2528 is not in use. Removing the plug 2544 from the notch 2542 can expose an opening into the interior of the given wall component 2508. A suitable mechanical fastener (e.g., a hook) (not shown) can be inserted into this opening. In this way, relatively heavy fixtures and accessories can be connected to the compartmentalizing assembly 2206 through a reliable mechanical connection in addition to or instead of a magnetic connection.

[0290] FIG. 72 is a top plan view of a portion of a collection of rentable units and associated structures 2550 in accordance with another embodiment of the present technology at the oversized room 2114 of the school building 2100 in the second state taken along the line 72-72 in FIG. 51. FIG. 73 is an enlarged view of a portion of FIG. 72. FIG. 74 is a side profile view approximately corresponding to the portion of FIG. 72 shown in FIG. 73 taken along the line 74-74 in FIG. 73. With reference to FIGS. 72-74 together, the collection 2550 can include a compartmentalizing assembly 2552 having ceiling components (e.g., reusable ceiling components) removably disposed within the oversized room 2114 above the first and second compartments 2208, 2210. For example, the compartmentalizing assembly 2552 can include rigid ceiling panels 2554 and elongate ceiling beams 2556 interspersed between the ceiling panels 2554. The ceiling beams 2556 can support the ceiling panels 2554, and the wall components 2508 can support the ceiling beams 2556. The wall components 2508 can be assembled into walls, columns, or other suitable structures. For example, the compartmentalizing assembly 2552 can include a wall near the open area 2134 and another wall at a portion of the oversized room 2114 furthest from the stage 2132. The ceiling beams 2556 can extend between these walls. When a distance between underlying walls does not correspond to a multiple of the length of the ceiling panels 2554, and in other cases, the ceiling panels 2554 and beams 2556 can be cantilevered over one or both of the underlying walls.

[0291] As shown in FIG. 74, the individual ceiling beams 2556 can have an I-shape transverse cross-section including two channels at opposite sides of a central web. The individual ceiling panels 2554 can have side edge portions snugly received within corresponding channels of adjacent ceiling beams 2556. In at least some cases, the ceiling components form a thermally conductive ceiling above the first and second compartments 2208, 2210 and below an airspace 2558 within the oversized room 2114. The school

building **2100** can include a heating system **2560** (shown schematically) operable to heat the airspace **2558** and thereby provide shared below-room-temperature baseline heating to the third and fourth rentable units **2212**, **2214** via the thermally conductive ceiling. The third rentable unit **2212** can include a supplemental heater **2562** (shown schematically) operable to heat the first compartment **2208** and thereby provide supplemental heating to the third rentable unit **2212**. Similarly, the fourth rentable unit **2214** can include a supplemental heater (not shown) operable to heat the second compartment **2210** and thereby provide supplemental heating to the fourth rentable unit **2214**. Also similarly, the heating system **2560** can provide shared below-room-temperature baseline heating to the first and second rentable units **2202**, **2204**. The first and second rentable units **2202**, **2204** can respectively include supplemental heaters (not shown) operable to heat the classrooms **2108a**, **2108b** and thereby provide supplemental heating to the first and second rentable units **2202**, **2204**.

[0292] FIG. 75 is a top plan view of a collection of rentable units and associated structures **2600** in accordance with another embodiment of the present technology at the school building **2100** in the second state taken along the line G-G in FIG. 51. As shown in FIG. 75, the collection **2600** can include a plumbing drain line **2602**, a cold water supply line **2604**, and a hot water supply line **2606** disposed outside the school building **2100**. For example, the plumbing drain line **2602**, the cold water supply line **2604**, and the hot water supply line **2606** can extend above-ground over a length of at least two meters outside the school building **2100**. In the illustrated embodiment, the plumbing drain line **2602** connects the corresponding bathrooms **2216** to the plumbing drain trunk line **2142** via a corresponding exterior plumbing drain hookup **2608** rather than through the school bathroom **2110a**. Similarly, the cold and hot water supply lines **2604**, **2606** connect the corresponding bathrooms **2216** to the water supply trunk line **2144** via a corresponding exterior water supply hookup **2610** rather than through the school bathroom **2110a**.

[0293] The exterior plumbing drain hookup **2608** and the exterior water supply hookup **2610** can be retrofitted. Furthermore, the hot water supply line **2606** can be connected to the water supply trunk line **2144** via a hot water reservoir **2612** disposed (e.g., removably disposed) outside the school building **2100** rather than within the school building **2100**. Locating the plumbing drain line **2602**, the cold water supply line **2604**, the hot water supply line **2606**, the hot water reservoir **2612**, and/or other suitable components of the collection **2600** outside the school building **2100** rather than within the school building **2100** can be useful, for example, to facilitate use of the hallway **2106** (or other portions of the school building **2100** that would otherwise contain these components) by renters of the first, second, third, fourth, and additional rentable units **2202**, **2204**, **2212**, **2214**, **2215**.

[0294] In another embodiment, the first, second, third, fourth, and additional rentable units **2202**, **2204**, **2212**, **2214**, **2215** are operably associated with components that reduce or eliminate the need for even temporary connections to permanent systems of the school building **2100**. For example, the first, second, third, fourth, and additional rentable units **2202**, **2204**, **2212**, **2214**, **2215** can be operably associated with a high-capacity sewage detention reservoir (not shown) disposed (e.g., removably disposed) within or

outside the school building **2100**, a high-capacity cold water reservoir (not shown) disposed (e.g., removably disposed) within or outside the school building **2100**, and/or a high-capacity generator (not shown) disposed (e.g., removably disposed) within or outside the school building **2100**. The high-capacity sewage detention reservoir can be configured for occasional evacuation into a mobile tanker (e.g., a septic system pump truck). Similarly, the high-capacity cold water reservoir can be configured for occasional replenishment from a mobile tanker (e.g., a water supply truck).

[0295] FIG. 76 is a top plan view of a collection of rentable units and associated structures **2700** in accordance with another embodiment of the present technology at the school building **2100** in the second state taken along the line G-G in FIG. 51. As shown in FIG. 76, the classrooms **2108** and the first and second compartments **2208**, **2210** can be directly accessible from the exterior of the school building **2100**. This can facilitate unmanned operation of the first, second, third, fourth, and additional rentable units **2202**, **2204**, **2212**, **2214**, **2215**. At least some of the window openings **2122** (e.g., one window opening **2122** per classroom **2108**, one window opening **2122** of the first compartment **2208**, and one window opening **2122** of the second compartment **2210**) can be retrofitted (e.g., at least substantially reversibly retrofitted) to provide direct access to the corresponding ones of the classrooms **2108**, the first compartment **2208**, and the second compartment **2210** from the exterior of the school building **2100**. Retrofitting the window openings **2122** can include removing the sashes **2124** from the window openings **2122**. In many types of windows (e.g., double-hung windows) commonly found in school buildings, the sashes **2124** are readily removable and replaceable. After removal, the sashes **2124** can be temporarily stored within the oversized room **2114** near the stage **2132** until needed for reinstallation into the corresponding window openings **2122**. Thus, removal of the sashes **2124** and other suitable retrofits to the window openings **2122** can be readily reversible. Alternatively, some of all of these retrofits can be permanent.

[0296] Additional features of the illustrated embodiment will now be described at least primarily with regard to the first, second, and third rentable units **2202**, **2204**, **2212**. It should be understood that the same or similar features can be present in the fourth rentable unit **2214** and the additional rentable units **2215** unless the context clearly indicates otherwise. As shown in FIG. 76, the collection **2700** can include doorways **2702** (individually identified as doorways **2702a-2702c**) disposed (e.g., removably disposed) in operable association with respective window openings **2122** of the classrooms **2108a**, **2108b** and the first compartment **2208**, respectively. In the illustrated embodiment, the doorways **2702** are reusable doorway overlays. This form can be useful to reduce or eliminate the need for custom sizing of the doorways **2702**. In other embodiments, the doorways **2702** can be reusable doorway inserts, or have other suitable forms. With reference again to the illustrated embodiment, the collection **2700** further includes exterior stairways **2704** (individually identified as exterior stairways **2704a-2704c**) disposed (e.g., removably disposed) in operable association with respective window openings **2122** of the classrooms **2108a**, **2108b** and the first compartment **2208**, respectively. Similarly, in the illustrated embodiment, the collection **2700** includes interior stairways **2706** (individually identified as interior stairways **2706a-2706c**) disposed (e.g., removably

disposed) in operable association with respective window openings **2122** of the classrooms **2108a**, **2108b** and the first compartment **2208**, respectively. In other embodiments, some or all of the exterior and interior stairways **2704**, **2706** can be replaced with corresponding exterior and interior ramps.

[0297] Similar to the bathrooms **2216**, the exterior and interior stairways **2704**, **2706** can be reusable. In the illustrated embodiment, the exterior and interior stairways **2704**, **2706** are assemblies of reusable exterior and interior stairway modules configured for rapid deployment into and out of operable association with the corresponding window openings **2122** in an at least partially disassembled state. For example, the exterior and interior stairways **2704**, **2706** can be made up mostly or entirely of reusable modular components. In other embodiments, the exterior and interior stairways **2704**, **2706** can be portable exterior and interior stairway units, such as exterior and interior stairway units configured for rapid deployment into and out of operable association with the corresponding window openings **2122** without significant disassembly. This deployment and removal can occur by forklift, by dolly, by operation of wheels integrated into the exterior and interior stairways **2704**, **2706**, or in another suitable manner. In still other embodiments, the exterior and interior stairways **2704**, **2706** can have other suitable forms. Furthermore, the collection **2700** can include footings **2708** (individually identified as footings **2708a-2708c**) removably or permanently disposed outside respective window openings **2122** of the classrooms **2108a**, **2108b** and the first compartment **2208**, respectively. The individual exterior stairways **2704a-c** can be removably connected to the individual footings **2708a-c**, respectively. The footings **2708** can be permanent concrete piers or pads or have other suitable forms.

[0298] When the classrooms **2108a**, **2108b** and the first compartment **2208** are directly accessible from the exterior of the school building **2100**, the first, second, and third rentable units **2202**, **2204**, **2212** can be accessible only in this manner or both in this manner and via the hallway **2106**. In the former case, which is not illustrated in FIG. 76, the bathrooms **2216a**, **2216c** can be shifted to block the doorway openings **2120** of the classroom **2108a** and the first compartment **2208**, respectively. In addition or alternatively, the plumbing drain lines **2218a**, **2218c**, the cold water supply lines **2220a**, **2220c**, and the hot water supply lines **2222a**, **2222c** can be routed through the doorway openings **2120** of the classroom **2108a** and the first compartment **2208**, respectively, rather than through openings in the permanent walls **2102**. Direct access to the classrooms **2108a**, **2108b** and the first compartment **2208** from the exterior of the school building **2100** can facilitate use of outdoor areas nearby the classrooms **2108a**, **2108b** and the first compartment **2208** by renters of the first, second, and third rentable units **2202**, **2204**, **2212**. Accordingly, the collection **2700** can include outdoor furniture **2710** removably disposed in these outdoor areas to support such use.

[0299] FIG. 77 is an enlarged view of a portion of FIG. 76. FIGS. 78 and 79 are, respectively, an interior side profile view and an opposite exterior side profile view approximately corresponding to the portion of FIG. 76 shown in FIG. 77. The doorway **2702b**, the exterior stairway **2704b**, the interior stairway **2706b**, and associated portions of the collection **2700** and the school building **2100** will now be described with the understanding that the doorways **2702a**,

**2702c**, the exterior stairways **2704a**, **2704c**, the interior stairways **2706a**, **2706c**, and associated portions of the collection **2700** and the school building **2100** can have the same or similar features. With reference to FIGS. 76-79 together, the exterior stairway **2704b** can include exterior railings **2800** and exterior steps **2802** disposed between the exterior railings **2800**. Similarly, the interior stairway **2706b** can include interior railings **2804** and interior steps **2806** disposed between the interior railings **2804**. The doorway **2702b** can include a door **2808**, a frame **2810**, and hinges **2812** operably connecting the door **2808** and the frame **2810** to one another. The doorway **2702b** can further include a handle **2814** that facilitates operation of the door **2808** from the exterior of the school building **2100**.

[0300] The doorway **2702b** can still further include a smart lock **2815** configured to allow a renter of the second rentable unit **2204** to unlock the door **2808** by operation of a mobile device (e.g. a mobile phone), by entering a passcode, by providing a biometric identification (e.g., a fingerprint), or in another suitable manner. For example, the smart lock **2815** may request a first identifier from the renter upon initial check-in. The first identifier can be a last name or some other identifier that is readily available to the renter, but may not be particularly secure. Correct entry of the first identifier can cause the smart lock **2815** to signal (e.g., wirelessly signal) an associated server (not shown) to send a text message, email, etc. to the renter's mobile device. The number associated with the mobile device can be a number provided by the renter to an operator of the second rentable unit **2204** in conjunction with reservation of the second rentable unit **2204** or in conjunction with establishing or maintaining membership in a group of renters authorized to rent the second rentable unit **2204** without making a reservation. The text message, email, etc. can contain a newly generated passcode that can be entered into the smart lock **2815**, alone or in addition to other identifiers, for subsequent access to the second rentable unit **2204** by the renter. To grant access to another person, the renter merely forwards the text message, email, etc. containing the passcode to that person. When the renter's permission to use the second rentable unit **2204** has expired, the smart lock **2815** can discontinue granting access to the second rentable unit **2204** in response to entry of the passcode. This manner of controlling access to the second rentable unit **2204** can be significantly more secure, anonymous, and efficient than conventional forms of access control, such as those that rely on physical keycards.

[0301] The frame **2810** can be removably connected to portions of the permanent wall **2102** on either side of the corresponding window opening **2122**. Between the frame **2810** and the permanent wall **2102**, the doorway **2702b** can include a gasket **2816** that enhances the weather resistance of the connection between the frame **2810** and the permanent wall **2102**. In the illustrated embodiment, the frame **2810** is removably bolted to the permanent wall **2102**. For example, the doorway **2702b** can include bolts **2818** that extend through the frame **2810**, through the gasket **2816**, and through the permanent wall **2102**. At an inside surface of the permanent wall **2102**, the doorway **2702b** can include furring strips **2820** through which the bolts **2818** also extend, and nuts **2822** operably connected to the bolts **2818** and bearing on the furring strips **2820**. In other embodiments, the doorway **2702b** can be connected to the permanent wall **2102** in another suitable manner, such as using removable

clamps. Furthermore, rather than being removably connected to the corresponding window opening **2122** at an exterior side of the permanent wall **2102**, in other embodiments, the doorway **2702b** can be removably connected to the corresponding window opening **2122** at an interior side of the permanent wall **2102**.

[0302] FIG. **80** is a top plan view of a doorway **2900** of a collection of rentable units and associated structures in accordance with another embodiment of the present technology at the school building **2100** in the second state taken along the line G-G in FIG. **51** and corresponding to the portion shown in FIG. **76**. In contrast to the doorway **2702b** shown in FIGS. **76-79**, the doorway **2900** is an inset rather than an overlay. For example, the doorway **2900** can be disposed within the corresponding window opening **2122** rather than at an exterior or interior side of the corresponding window opening **2122**. As shown in FIG. **80**, the doorway **2900** can include a frame **2902** that is narrower than the corresponding window opening **2122**. The doorway **2900** can further include gaskets **2904** disposed between the frame **2902** and sidewalls of the corresponding window opening **2122**. The bolts **2818** of the doorway **2900** can extend laterally through respective portions of the permanent wall **2102** on opposite sides of the corresponding window opening **2122** in which the doorway **2900** is installed. For example, the bolts **2818** can extend into respective neighboring window openings **2122** in which the corresponding furring strips **2820** and nuts **2822** are located. The gaskets **2904** can be layered to compensate for a difference between a width of the frame **2902** and a width of the corresponding window opening **2122**, such as when the doorway **2900** is a standard size and the corresponding window opening **2122** is a non-standard size. Although not adaptable to as wide a range of window opening widths as the doorway **2702b** described above, the doorway **2900** may be preferred over the doorway **2702b** in some cases for aesthetic or other reasons.

[0303] FIG. **81** is a top plan view of a collection of rentable units and associated structures **3000** in accordance with another embodiment of the present technology at the school building **2100** in the second state taken along the line G-G in FIG. **51**. As shown in FIG. **81**, the bathrooms **2216a**, **2216b** can be accessible from the classrooms **2108a**, **2108b** via the respective doorway openings **2120** of the classrooms **2108a**, **2108b**. For example, the bathrooms **2216a**, **2216b** can be disposed (e.g., removably disposed) within the hallway **2106** adjacent to the respective doorway openings **2120** of the classrooms **2108a**, **2108b**. Furthermore, the respective doorway opening **2320** of the bathrooms **2216a**, **2216b** can be aligned with the respective doorway openings **2120** of the classrooms **2108a**, **2108b**. In at least some embodiments, the bathrooms **2216a**, **2216b** block access to the classrooms **2108a**, **2108b** from the main entrance **2104** via the hallway **2106**. Similar to the embodiment illustrated in FIG. **76**, the plumbing drain lines **2218a**, **2218b**, the cold water supply lines **2220a**, **2220b**, and the hot water supply lines **2222a**, **2222b** can be routed through the hallway **2106** with no need or at least little need for retrofitted openings in the permanent walls **2102**. In the illustrated embodiment, the bathroom **2216c** is removably disposed within the first compartment **2208**. In other embodiments, the bathroom **2216c** can be removably disposed within the hallway **2106** (e.g., adjacent to the oversized room **2114**) and/or have some or all of

the other features described for the bathrooms **2216a**, **2216b** in the context of the collection **3000**.

[0304] FIG. **82** is a top plan view of a collection of rentable units and associated structures **3100** in accordance with another embodiment of the present technology at the school building **2100** in the second state taken along the line G-G in FIG. **51**. As shown in FIG. **82**, the bathrooms **2216a-2216c** can be disposed (e.g., removably disposed) outside the classrooms **2108a**, **2108b** and the oversized room **2114**, respectively. For example, the bathrooms **2216a-2216c** can be removably disposed outside and adjacent to respective window openings **2122** of the classrooms **2108a**, **2108b** and the oversized room **2114**, respectively. The bathrooms **2216a-2216c** can be accessible from the classrooms **2108a**, **2108b** and the oversized room **2114**, respectively, via the corresponding window openings **2122** of the classrooms **2108a**, **2108b** and the oversized room **2114**. Furthermore, the respective doorway openings **2320** of the bathrooms **2216a-2216c** can be aligned with the corresponding window openings **2122** of the classrooms **2108a**, **2108b** and the oversized room **2114**. In at least some embodiments, the bathrooms **2216a-2216c** are removably connected to the footings **2708a-2708c**, respectively, which can have the same or similar features in the context of the illustrated embodiment as described above in the context of the embodiment illustrated in FIG. **76**. The plumbing drain line **2602**, the cold water supply line **2604**, and the hot water supply line **2606** can extend under the bathrooms **2216a-2216c**.

[0305] In the embodiments illustrated in FIGS. **53**, **75**, **76**, **81** and **82**, the first, second, and third rentable units **2202**, **2204**, **2212** are configured at least primarily as lodging units. In other embodiments, the first, second, and third rentable units **2202**, **2204**, **2212** can have other suitable primary uses. For example, the first, second, and third rentable units **2202**, **2204**, **2212** can be rentable residential units for which the furnishings and fixtures illustrated in FIGS. **53**, **75**, **76**, **81** and **82** may be well suited. In addition or alternatively, the first, second, and third rentable units **2202**, **2204**, **2212** can be rentable office units, rentable assembly units, and/or rentable units of another suitable type. For example, FIGS. **83-85** are top plan view of respective collections of rentable units and associated structures **3200**, **3300**, **3400** in accordance with additional embodiments of the present technology at the school building **2100** in the second state taken along the line G-G in FIG. **51**. In the embodiment illustrated in FIG. **83**, the first, second, and third rentable units **2202**, **2204**, **2212** are respective rentable office units. For example, the collection **3200** can include workstations **3202** and meeting stations **3204** removably disposed within the classrooms **2108a**, **2108b** and the first compartment **2208**. In the embodiment illustrated in FIG. **84**, the first, second, and third rentable units **2202**, **2204**, **2212** are respective combined lodging and rentable office units. For example, the collection **3300** can include partitions **3302** that close off the beds **2240** during work hours. In the embodiment illustrated in FIG. **85**, the first, second, and third rentable units **2202**, **2204**, **2212** are respective assembly units. Numerous other suitable uses and configurations of the first, second, and third rentable units **2202**, **2204**, **2212** in accordance with embodiments of the present technology are also possible.

[0306] FIG. **86** is a block diagram illustrating a method **3500** for making a given collection of rentable units and associated structures in accordance with an embodiment of

the present technology. It should be understood that the method **3500**, when suitable, and/or portions of the method **3500**, when suitable, can be practiced with respect to any of the collections **2200**, **2550**, **2600**, **2700**, **3000**, **3100**, **3200**, **3300**, **3400** described above with reference to FIGS. **53-85** as well as with respect to other collections in accordance with embodiments of the present technology. With reference to FIGS. **53-86** together, the method **3500** can include removably disposing the compartmentalizing assembly **2206** within the oversized room **2114** (block **3502**). Removably disposing the compartmentalizing assembly **2206** can include removably disposing the wall components **2508** within the oversized room **2114**, such as over the finished floor surface **2510** of the oversized room **2114**. Removably disposing the wall components **2508** can include stacking and/or interlocking the wall components **2508**. Furthermore, removably disposing the compartmentalizing assembly **2206** can include disposing (e.g., removably disposing) the liner **2516** over the finished floor surface **2510**. For example, removably disposing the compartmentalizing assembly **2206** can include adhesively connecting the liner **2516** to the finished floor surface **2510**. In addition or alternatively, removably disposing the compartmentalizing assembly **2206** can include forming the mass of self-leveling material **2518** within the oversized room **2114**, such as integrally along most or all of an overall footprint of the compartmentalizing assembly **2206**.

[**0307**] In a particular example, forming the mass of self-leveling material **2518** includes disposing a low-viscosity material into a form. The form can be made in situ, such as by disposing a bead of polyurethane foam around an intended perimeter of a footprint of the compartmentalizing assembly **2206**, or in another suitable manner. After being disposed within the form, the mass of self-leveling material **2518** can be allowed to self-level by gravity with or without vibration or other processes to expedite the self-leveling process. The mass of self-leveling material **2518** can then be at least partially solidified. Forming the mass of self-leveling material **2518** can occur over the liner **2516**. After the mass of self-leveling material **2518** has at least partially solidified, the wall components **2508** can be removably disposed over the mass of self-leveling material **2518**. Removably disposing the compartmentalizing assembly **2206** can also include removably disposing the ceiling panels **2554**, the ceiling beams **2556**, and/or other suitable ceiling components within the oversized room **2114**, such as above the first and second compartments **2208**, **2210**. In this or another suitable manner, removably disposing the compartmentalizing assembly **2206** can include removably disposing a thermally conductive ceiling above the first and second compartments **2208**, **2210** and below the airspace **2558**.

[**0308**] The method **3500** can further include retrofitting interior regions of the school building **2100** for use as at least respective portions of the first, second, third, fourth, and additional rentable units **2202**, **2204**, **2212**, **2214**, **2215** (block **3504**). Retrofitting a given one of these interior regions will now be described with the understanding that the described features can also apply, when suitable, to retrofitting some or all of the other interior regions. Retrofitting the given interior region can include retrofitting the given interior region for lodging use, residential use, office use, assembly use, and/or for one or more other suitable uses. In at least some cases, retrofitting the given interior region includes installing (e.g., permanently or removably

disposing) a given one of the bathrooms **2216** in operable association with the given interior region, such as within or adjacent to a given one of the classrooms **2108**, within or adjacent to the oversized room **2114**, within or adjacent to the hallway **2106**, or outside the school building **2100**. Furthermore, installing the given bathroom **2216** can include at least substantially reversibly assembling a set of reusable bathroom modules to form a first assembly of reusable bathroom modules. For example, the floor module **2300** can be disposed (e.g., removably disposed) at a suitable location within or outside the school building **2100** and the wall modules **2304** can be removably connected to the floor module **2300** at a perimeter of the floor module **2300**.

[**0309**] The method **3500** can still further include installing (e.g., removably or permanently disposing) the plumbing drain lines **2218** (block **3506**) within and/or outside the school building **2100** and installing (e.g., removably or permanently disposing) the cold and hot water supply lines **2220**, **2222** within and/or outside the school building **2100** (block **3508**). For example, the method **3500** can include operably connecting the given bathroom **2216** to the plumbing drain trunk line **2142** via a given one of the plumbing drain lines **2218**. This can include operably connecting the given plumbing drain line **2218** to the plumbing drain trunk line **2142** via one or more of the toilet hookups **2232**. Similarly, the method **3500** can include operably connecting the given bathroom **2216** to the water supply trunk line **2144** via given ones of the cold and hot water supply lines **2220**, **2222**. This can include operably connecting the given cold and hot water supply lines **2220**, **2222** to the water supply trunk line **2144** via one or more of the sink hookups **2233**. The method **3500** can also include installing (e.g., removably or permanently disposing) the sewage detention tank **2234** (block **3510**) within or outside the school building **2100** and installing (e.g., removably or permanently disposing) the cold and hot water reservoirs **2236**, **2238** within or outside the school building **2100** (block **3512**). Furthermore, operably connecting the given bathroom **2216** to the plumbing drain trunk line **2142** can include operably connecting the given bathroom **2216** to the plumbing drain trunk line **2142** via the sewage detention tank **2234**, which can include operably connecting the sewage detention tank **2234** to the plumbing drain trunk line **2142** via one or more of the toilet hookups **2232**. Similarly, operably connecting the given bathroom **2216** to the water supply trunk line **2144** can include operably connecting the given cold and hot water supply lines **2220**, **2222** to the water supply trunk line **2144** via the cold and hot water reservoirs **2236**, **2238**, respectively, which can include operably connecting the cold and hot water reservoirs **2236**, **2238** to the water supply trunk line **2144** via one or more of the sink hookups **2233**.

[**0310**] The method **3500** can also include retrofitting (e.g., at least substantially reversibly retrofitting) a given one of the window openings **2122** (block **3514**), such as to provide direct access to the corresponding one of the classrooms **2108** or to a corresponding one of the first and second compartments **2208**, **2210**. This can include removing (e.g., temporarily removing) a corresponding one of the sashes **2124** from the given window opening **2122**. Furthermore, retrofitting the given window opening **2122** can include installing (e.g., removably disposing) a given one of the doorways **2702**, a given one of the exterior stairways **2704**, and/or a given one of the interior stairways **2706** in operable association with the given window opening **2122**. For



example, installing the given doorway **2702** can include removably inserting and/or overlaying the given doorway **2702** into and/or onto the given window opening **2122**, respectively. Installing the given exterior stairway **2704** can include at least substantially reversibly assembling a set of reusable exterior stairway modules to form an assembly of reusable exterior stairway modules. Similarly, installing the given interior stairway **2706** can include at least substantially reversibly assembling a set of reusable interior stairway modules to form an assembly of reusable interior stairway modules. Installing the given exterior stairway **2704** can further include permanently disposing a given one of the footings **2708** outside the corresponding window opening **2122** and removably connecting the given exterior stairway **2704** to the given footing **2708**.

[0311] In at least some cases, retrofitting the interior regions is at least substantially reversible, and the method **3500** includes reversing some or all of the retrofits (block **3516**). For example, the method **3500** can include at least partially reversing the retrofitting of the interior regions between 5 and 15 weeks after retrofitting the interior regions. Reversing the retrofitting can include removing the bathrooms **2216** and furnishings from operable association with the corresponding interior regions. Reversing the retrofitting can further include removing the doorways **2702**, the exterior stairways **2704**, and the interior stairways **2706** from operable association with the corresponding window openings **2122**. Reversing the retrofitting can still further include replacing the sashes **2124** within the corresponding window openings **2122**, replacing the doors **2126** within the corresponding doorway openings **2120**, replacing the toilets **2136** within the school bathrooms **2110**, and replacing the school desks **2128** and the school chairs **2130** within the classrooms **2108**. Retrofitting the interior regions and at least partially reversing the retrofitting of the interior regions can occur between successive academic sessions of the school at the school building **2100**. For example, the method **3500** can include repeatedly retrofitting the interior regions for annually reoccurring temporary use as at least the portions of corresponding rentable units during annually reoccurring recesses (e.g., summer recesses) of the school at the school building **2100**.

[0312] FIG. **87** is a block diagram illustrating a method **3600** for operating a given collection of rentable units and associated structures in accordance with an embodiment of the present technology. It should be understood that the method **3600**, when suitable, and/or portions of the method **3600**, when suitable, can be practiced with respect to any of the collections **2200**, **2550**, **2600**, **2700**, **3000**, **3100**, **3200**, **3300**, **3400** described above with reference to FIGS. **53-85** as well as with respect to other collections in accordance with embodiments of the present technology. With reference to FIGS. **53-87** together, the method **3600** can include operating the first, second, third, fourth, and additional rentable units **2202**, **2204**, **2212**, **2214**, **2215**. Operating the rentable units can include providing lodging, rentable residential space, rentable office space, rentable assembly space, and/or other suitable types of rentable space at the first, second, third, fourth, and additional rentable units **2202**, **2204**, **2212**, **2214**, **2215**. Operating the rentable units can include providing lodging, rentable residential space, rentable office space, rentable assembly space, and/or other suitable types of rentable space at the first, second, third, fourth, and additional rentable units **2202**, **2204**, **2212**, **2214**, **2215** can be operated as the same usage type or as different usage types. Furthermore, the first, second, third, fourth, and additional rentable units **2202**, **2204**, **2212**, **2214**, **2215** can

be operated as more than one usage type simultaneously or nearly simultaneously (e.g., as rentable office space during the day and as lodging at night). The non-school uses can be provided in an annually reoccurring manner, such as for durations of between 5 and 15 weeks between successive academic sessions of the school at the school building **2100**.

[0313] Operating the rentable units can include providing renter access to suitable features of the first, second, third, fourth, and additional rentable units **2202**, **2204**, **2212**, **2214**, **2215** described above. Operating the first rentable unit **2202** will now be described with the understanding that the described features can also apply, when suitable, to operating the second, third, and fourth rentable units **2204**, **2212**, **2214**, and other rentable units of a given collection. Operating the first rentable unit **2202** can include providing renter access to the classroom **2108a** (block **3602**), such as via the hallway **2106** and via the doorway opening **2120** of the classroom **2108a**, and/or from the exterior of the school building **2100** via one of the window openings **2122** of the classroom **2108a**. Operating the first rentable unit **2202** can further include providing renter access to the bathroom **2216a** (block **3604**), such as via one of the window openings **2122** of the classroom **2108a** or via the doorway opening **2120** of the classroom **2108a**. In at least some embodiments, operating the first rentable unit **2202** includes providing direct renter access to the classroom **2108a** from the exterior of the school building **2100**, such as via one of the window openings **2122** of the classroom **2108a**, via the doorway **2702a**, via the exterior stairway **2704a**, and/or via the interior stairway **2706a**.

[0314] The method **3600** can further include flowing waste from the bathroom **2216a** toward the plumbing drain trunk line **2142** via the plumbing drain line **2218a** (block **3606**). This can occur at least partially within the hallway **2106** (e.g., over a distance of at least two meters within the hallway **2106**) and/or at least partially outside the school building **2100** (e.g., over a distance of at least two meters outside the school building **2100**). Furthermore, flowing waste from the bathroom **2216a** toward the plumbing drain trunk line **2142** can include flowing the waste via one or more of the toilet hookups **2232**. Similarly, flowing waste from the bathroom **2216a** toward the plumbing drain trunk line **2142** can include flowing the waste via the sewage detention tank **2234**. In these cases, flowing waste from the bathroom **2216a** toward the plumbing drain trunk line **2142** can further include flowing waste from the sewage detention tank **2234** toward the plumbing drain trunk line **2142**, such as via one or more of the toilet hookups **2232**.

[0315] The method **3600** can still further include flowing water from the water supply trunk line **2144** toward the bathroom **2216a** via the cold and hot water supply lines **2220a**, **2222a** (block **3608**). This can occur at least partially within the hallway **2106** (e.g., over a distance of at least two meters within the hallway **2106**) and/or at least partially outside the school building **2100** (e.g., over a distance of at least two meters outside the school building **2100**). Furthermore, flowing water from the water supply trunk line **2144** toward the bathroom **2216a** can include flowing the water via one or more of the sink hookups **2233** of the school bathroom **2110a**. Similarly, flowing water from the water supply trunk line **2144** toward the bathroom **2216a** can include flowing the water via the cold and hot water reservoirs **2236**, **2238**. In these cases, flowing water from the water supply trunk line **2144** toward the bathroom **2216a**

can further include flowing water from the water supply trunk line **2144** toward the cold and hot water reservoirs **2236**, **2238**, such as via one or more of the sink hookups **2233** of the school bathroom **2110a**.

[0316] In at least some embodiments, the method **3600** includes operating the heating system **2560** (block **3610**) to heat the airspace **2558** and thereby provide shared below-room-temperature baseline heating to the third and fourth rentable units **2212**, **2214** via the thermally conductive ceiling of the compartmentalizing assembly **2206**, when present. Similarly, the method **3600** can include operating the heating system **2560** to provide below-room-temperature baseline heating to the first and second rentable units **2202**, **2204**. Like the heating system **2560**, other permanent systems of the school building **2100** (e.g., electrical systems and water heating systems) can be taken offline or remain online while the first, second, third, fourth, and additional rentable units **2202**, **2204**, **2212**, **2214**, **2215** are operated to provide the non-school uses. Components of the given collection can modify the capacities or other attributes of these systems. Examples of capacity-modifying components include the hot water reservoir **2238** and the supplemental heaters **2562**, among others.

[0317] Also disclosed herein are examples of real estate units including interior regions of retrofitted garages (alternatively known as carports) and related technology. In a particular embodiment of the present technology, a real estate unit includes an interior region of a retrofitted garage, a reusable bathroom removably disposed within the interior region, and a reusable fenestrated barrier stationarily and removably disposed between the interior region and an outdoor area. The bathroom, barrier, and/or other suitable components of the real estate unit can be configured for low-cost deployment, removal, and redeployment. Use of these components can allow revenue from operating the real estate unit to exceed costs associated with transitioning the garage from its purpose-built use (e.g., storing one or more parked cars) to an alternative use (e.g., lodging, residential, office, and/or assembly use) even if the real estate unit is only operated for a short period of time. Thus, an operator of a network of real estate units may be able to lease a garage short-term (e.g., monthly) from an owner of the garage and retrofit the garage for provision of rentable space to third parties with little or no risk of incurring significant economic loss. Even if the owner terminates the lease after a short period of time or if demand for the newly created real estate unit is lower than expected, most of the capital associated with retrofitting the garage can be recoverable. Furthermore, capital embodied in the components can be readily relocatable in response to long-term and short-term (e.g., seasonal) changes in demand.

[0318] Among various types of real estate, garages are particularly well suited to be at least substantially reversibly retrofitted to accommodate alternative uses. For example, garages tend to be well sized for use as individual lodging, residential, office, and/or assembly units. Garages also tend to be remarkably consistent and, therefore, potentially compatible with a standard set of reusable retrofitting components. As another example, garages tend to be unfurnished or sparsely finished in their purpose-built use, which can facilitate retrofitting. As yet another example, garages typically have large openings at ground level. These openings can be well suited for retrofitting to become sources of natural light and/or points of direct exterior access. As yet another

example, garages typically have at least one exterior wall well suited for accommodating retrofitted utility connections between indoor and outdoor components. Garages compatible with embodiments of the present technology can have other desirable attributes in addition to or instead of the foregoing attributes. Furthermore, embodiments of the present technology can be implemented in other types of real estate, such as other garage-like types of real estate. Examples of other garage-like types of real estate include storage spaces (e.g., drive-up mini-storage units) and loading spaces (e.g., loading docks).

[0319] FIG. **88** is a front profile view of a house **4100** including a garage **4102**. FIG. **89** is a cross-sectional top plan view of the house **4100** taken along the line H-H in FIG. **88** with the garage **4102** in a first state. The first state can be a garage-use, original, unretrofitted, pre-retrofit, or similar state. With reference to FIGS. **88** and **89** together, the house **4100** can include permanent exterior walls **4104** (individually identified as exterior walls **4104a-4104l**), permanent interior walls **4106** (individually identified as interior walls **4106a**, **4106b**), a front doorway **4108**, windows **4110**, and an interior doorway **4112**. The exterior walls **4104g-4104i** and interior walls **4106a**, **4106b** can define an interior region **4114** of the garage **4102**. The interior doorway **4112** can extend between the interior region **4114** and an adjacent interior region of the house **4100**. For simplicity of illustration, interior walls and doorways (other than those associated with the garage **4102**), windows at the sides and back of the house **4100**, and interior furnishings of the house **4100** are not shown. The exterior wall **4104h** can have an opening **4116** between the interior region **4114** and the outdoor area **4118**. The outdoor area **4118** can be a driveway and/or parking area. Furthermore, the opening **4116** can be sized to permit passage of a car between the interior region **4114** and the outdoor area **4118**. For example, the opening **4116** can have a width within a range from 2 meters to 7 meters (e.g., from 4 meters to 6 meters). The house **4100** can further include an overhead door **4120** movably disposed at the opening **4116**.

[0320] FIG. **90** is an enlarged view of a portion of FIG. **89**. As shown in FIG. **90**, the garage **4102** can include a door track **4122** at the opening **4116**. The overhead door **4120** can be operably connected to the door track **4122**. The garage **4102** can further include a hose bibb **4124** at an exterior side of the exterior wall **4104g**. Although the house **4100** in the illustrated embodiment is a single-family house and the garage **4102** is an attached garage, it should be understood that, in other embodiments, another type of primary building (e.g., a multi-family residential building) can be substituted for the house **4100** and/or a detached garage can be substituted for the garage **4102**. Furthermore, although the garage **4102** in the illustrated embodiment is a two-car garage, in other embodiments, a counterpart of the garage **4102** can be a one-car garage, a three-car garage, or a garage of another suitable type.

[0321] FIG. **91** is a cross-sectional top plan view corresponding to the portion of FIG. **89** shown in FIG. **90** and showing a real estate unit **4126** in accordance with an embodiment of the present technology. The real estate unit **4126** can include the interior region **4114** in a second state, which can be an alternative-use, non-original, retrofitted, post-retrofit, or similar state. In at least some embodiments, the garage **4102** is retrofitted (e.g., at least substantially reversibly retrofitted) to accommodate a non-garage alter-

native use (e.g., a lodging, residential, office, and/or assembly use) at the interior region **4114**. The real estate unit **4126** can further include the outdoor area **4118**, which can be retrofitted (e.g., at least substantially reversibly retrofitted) for courtyard use and/or another suitable use ancillary to the alternative use of the interior region **4114**. The retrofitting of the interior region **4114** can occur well after (e.g., at least 20 years after) the garage **4102** was originally constructed.

[0322] The real estate unit **4126** can include retrofits (e.g., at least substantially reversible retrofits) to the garage **4102** that change the garage **4102** from being well suited for garage use to being well suited for the alternative use. In at least some cases, reversal of all or a portion of these retrofits returns the garage **4102** from being well suited for the alternative use to again being well suited for the garage use. Examples of reversible retrofits include removing, installing, and relocating furniture and fixtures with little or no associated demolition of the exterior walls **4104g-4104i** and interior walls **4106a**, **4106b** or other permanent fabric of the garage **4102**. The garage **4102** can be substantially reversibly retrofitted to accommodate the real estate unit **4126**. For example, a total cost of reversible retrofits to the garage **4102** (e.g., a present value of at least substantially reversibly installed reusable components) for a given transformation from being well suited for garage use to being well suited for an alternative use can be greater (e.g., at least 50% greater or at least 100% greater) than a total cost of permanent retrofits to the garage **4102** (e.g. modifications to the permanent fabric of the garage **4102**) for the given transformation. Capital associated with the alternative use can be readily re-deployable after the alternative use. In some cases, the alternative use and the real estate unit **4126** are active for one year or less (e.g., six months or less) between successive transformations. In other cases, the alternative use and the real estate unit **4126** can have longer durations or even be permanent.

[0323] As shown in FIG. 91, the real estate unit **4126** can include a bathroom **4127** disposed (e.g., removably disposed) within the interior region **4114**. The bathroom **4127** can include a sink **4128**, a toilet **4129**, and a bath **4130**. In some embodiments, the bathroom **4127** is reusable and removably disposed within the interior region **4114**. For example, unlike a conventional bathroom that can only be installed by heavy construction and removed by heavy demolition, the bathroom **4127** can be configured to be installed with little or no need for heavy construction and removed with little or no need for heavy demolition. Furthermore, the bathroom **4127** can be configured to be conveniently transported and reused after its removal. In the illustrated embodiment, the bathroom **4127** is an assembly of reusable bathroom modules configured for rapid deployment into and removal from the interior region **4114** in an at least partially disassembled state. For example, the bathroom **4127** can be made up mostly or entirely of reusable modular components. In other embodiments, a counterpart of the bathroom **4127** can be portable and configured for rapid deployment into and removal from the interior region **4114** without significant disassembly. This deployment and removal can occur by forklift, by dolly, by operation of wheels integrated into the counterpart of the bathroom **4127**, or in another suitable manner. In still other embodiments, a counterpart of the bathroom **4127** can have other suitable forms. As shown in FIG. 91, the bathroom **4127** can be positioned within the interior region **4114** such that it blocks

access to the interior doorway **4112**. This can be useful, for example, to form a robust separation between the interior region **4114** and other portions of the house **4100**.

[0324] The real estate unit **4126** can further include a barrier **4131** disposed between the interior region **4114** and the outdoor area **4118**. For example, a path permitting a renter of the real estate unit **4126** to move between the interior region **4114** and the outdoor area **4118** can extend through the opening **4116** and through the barrier **4131**. Furthermore, the barrier **4131** can be stationarily disposed between the interior region **4114** and the outdoor area **4118**. For example, unlike the overhead door **4120**, which is typically configured to move on a regular basis during normal operation of the garage **4102** in the first state, the barrier **4131** can be configured to remain at least substantially stationary during normal operation of the real estate unit **4126**. The barrier **4131** can be fenestrated and can include windows **4132** that allow natural light to enter the interior region **4114** from the outdoor area **4118**. The barrier **4131** can further include a door **4133**. In at least some embodiments, the barrier **4131** is foldable to facilitate its transport and storage when not in use. For example, the barrier **4131** can be foldable along vertical seams (not shown) between neighboring windows **4132** and/or between the door **4133** and windows **4132** neighboring the door **4133**.

[0325] The barrier **4131** can be reusable and removably disposed between the interior region **4114** and the outdoor area **4118**. For example, the barrier **4131** can be configured to be installed with little or no need for heavy construction and removed with little or no need for heavy demolition. Furthermore, the barrier **4131** can be configured to be conveniently transported and reused after its removal. In the illustrated embodiment, the barrier **4131** is rigid, portable and configured for rapid deployment into and removal from operable association with the interior region **4114** without significant disassembly. This deployment and removal can occur by forklift, by dolly, by operation of wheels (not shown) integrated into the barrier **4131**, or in another suitable manner. In other embodiments, a counterpart of the barrier **4131** can be an assembly of reusable barrier modules configured for rapid deployment into and removal from between the interior region **4114** and the outdoor area **4118** in an at least partially disassembled state. For example, a counterpart of the barrier **4131** can be made up mostly or entirely of reusable modular components.

[0326] With reference again to FIG. 91, the real estate unit **4126** can include a courtyard **4134** at the outdoor area **4118**. For example, the real estate unit **4126** can include an exterior enclosure **4135** including wall components **4136** and a gate **4138** disposed at a perimeter portion of the courtyard **4134**. The wall components **4136**, the gate **4138**, and/or other suitable components of the exterior enclosure **4135** can be reusable and removably disposed at the perimeter portion of the courtyard **4134**. For example, the exterior enclosure **4135** can be made up mostly or entirely of reusable modular components. As discussed in further detail below, the wall components **4136** can be stacked and/or interlocking within the exterior enclosure **4135**. Furthermore, the wall components **4136** can be planters that support vegetation **4140**. For example, the wall components **4136** can internally support a root system (not shown) of the vegetation **4140**. Thus, the exterior enclosure **4135** can include living walls.

[0327] In the illustrated embodiment, the real estate unit **4126** is configured to be mostly off-grid (i.e., independent of service connections to local utilities). This configuration can be useful, for example, to avoid costs and complications associated with utility hookups, to reduce the environmental impact of the real estate unit **4126**, to facilitate efficient management of the real estate unit **4126**, to reduce costs associated with maintaining the real estate unit **4126** during periods of nonuse or low use, and/or for other reasons. In other embodiments, a counterpart of the real estate unit **4126** can be mostly or entirely on-grid (i.e., dependent on service connections to local utilities).

[0328] With reference again to FIG. 91, the real estate unit **4126** can include a dock **4142** removably disposed outside the interior region **4114**. The dock **4142** can be above-ground (as illustrated) or below-ground (e.g., disposed within a pit). At the dock **4142**, the real estate unit **4126** can include a heat pump **4144**, an exhaust filter **4146**, a blackwater tank **4148**, a water reservoir **4150**, a water heater **4152**, a greywater filter **4154**, a wireless router **4156**, a battery **4158**, a trash bin **4160**, a recycling bin **4162**, and a laundry bin **4164**. The water reservoir **4150** can be operably connected to the hose bibb **4124** and can be configured to increase a capacity of the hose bibb **4124** to supply water to the bathroom **4127**, such as by attenuating spikes in demand for water from the bathroom **4127**. In the illustrated embodiment, the real estate unit **4126** is configured to separately manage removal and disposal of blackwater (e.g., wastewater from the toilet **4129**) and greywater (e.g., wastewater from the sink **4128** and the bath **4130**). In other embodiments, a counterpart of the real estate unit **4126** can be configured to collectively manage removal and disposal of blackwater and greywater. Accordingly, the blackwater tank **4148** can be more generally referred to as a sewage tank indicating that it can be configured to receive primarily blackwater, primarily greywater, or both blackwater and greywater.

[0329] With reference again to FIG. 91, the exhaust filter **4146**, the blackwater tank **4148**, the battery **4158**, the trash bin **4160**, the recycling bin **4162**, and the laundry bin **4164** can be removably connected to the dock **4142** or otherwise removably disposed within or outside the interior region **4114**. In the illustrated embodiment, the real estate unit **4126** is configured to operate on-grid with respect to a water supply (i.e. because the water reservoir **4150** is operably connected (for replenishment) to a water service for the house **4100** via the hose bibb **4124**) and configured to be off-grid with respect to an electrical supply and disposal of blackwater from the toilet **4129**. In other embodiments, a counterpart of the real estate unit **4126** can be off-grid with respect to water supply (e.g., because the water reservoir **4150** is configured to be independently refilled or swapped), on-grid with respect to electrical supply (e.g., because the battery **4158** is operably connected (e.g., for recharging) to an electrical service for the house **4100**), and/or on-grid with respect to sewage disposal (e.g. because the blackwater tank **4148** is operably connected (e.g., for draining) to a municipal sewage line for the house **4100**).

[0330] With reference again to FIG. 91, the real estate unit **4126** can be configured to receive occasional servicing. This servicing can include collecting backwater, trash, recyclables, and laundry (e.g., for cleaning and return) from the blackwater tank **4148**, the trash bin **4160**, the recycling bin **4162**, and the laundry bin **4164**, respectively. The servicing

can also include recharging the battery **4158**. In at least some cases, the blackwater tank **4148** is configured to be swapped for removal of blackwater from the real estate unit **4126**. Similarly, the battery **4158** can be configured to be swapped for replenishment of an electrical supply to the real estate unit **4126**. This can reduce or eliminate the need for recharging the battery **4158**. A less-full replacement for the blackwater tank **4148**, a more-fully-charged replacement for the battery **4158**, and/or other suitable replacements for components of the real estate unit **4126** can be delivered to the real estate unit **4126** by truck or in another suitable manner. The replaced components can be collected in the same or a different manner and transported to a central location where the components can be efficiently processed (e.g., emptied, cleaned, recharged, etc.) for reuse. This delivery and collection can occur on a regular schedule (e.g., daily, every-other-day, etc.), as needed, and/or on demand.

[0331] The dock **4142** can include sensors **4166** (individually identified as sensors **4166a-4166f**) operably connected to the blackwater tank **4148**, the water reservoir **4150**, the battery **4158**, the trash bin **4160**, the recycling bin **4162**, and the laundry bin **4164**, respectively. The sensors **4166** can be wirelessly connected to a remote server **4168** via the router **4156** and a network **4170** (e.g., the Internet). The server **4168** can include software that automatically processes data from the sensors **4166** to determine when servicing of the real estate unit **4126** is required. For example, data from the sensor **4166a** may indicate that the blackwater tank **4148** is at 75% of capacity and needs to be drained or swapped promptly. As another example, data from the sensor **4166b** may indicate that the water reservoir **4150** is being depleted faster than it can be replenished via the hose bibb **4124** and, therefore, needs to be independently replenished promptly. As yet another example, data from the sensor **4166c** may indicate that the battery **4158** is at 25% of capacity and needs to be recharged or swapped promptly. Over time, aggregate data from the sensors **4166** can be analyzed to establish default servicing intervals for the real estate unit **4126**. In addition or alternatively, data from the sensors **4166** can be used to calculate utility usage for the real estate unit **4126** for purposes of environmental reporting and/or billing a renter of the real estate unit **4126**. Each of the individual sensors **4166a-4166f** can be of a suitable type for monitoring the corresponding component of the real estate unit **4126**. For example, the sensors **4166a**, **4166b**, **4166d-4166f**, individually, can be weight sensors, level sensors, or other types of sensors configured to measure fullness of the blackwater tank **4148**, the water reservoir **4150**, the trash bin **4160**, the recycling bin **4162**, and the laundry bin **4164**, respectively. As another example, the sensor **4166c** can be a charge meter or another type of sensor configured to measure a charge of the battery **4158**.

[0332] The real estate unit **4126** can include suitable utility lines and other connections that extend from components of the real estate unit **4126** within the interior region **4114** to components of the real estate unit **4126** or other structures outside of the interior region **4114**. For example, the real estate unit **4126** can include a heater/cooler **4172** within the interior region **4114**, and refrigerant lines **4174** extending between the heater/cooler **4172** and the heat pump **4144**. The real estate unit **4126** can further include an electrical outlet **4176** serving the interior region **4114**, and an electrical line **4178** extending between the electrical outlet **4176** and the battery **4158**. The battery **4158**, therefore, can be configured

to power an appliance (not shown) within the interior region **4114** via the electrical outlet **4176** and the electrical line **4178**. As additional examples of suitable utility lines, the real estate unit **4126** can include a blackwater drain line **4180** extending between the bathroom **4127** and the blackwater tank **4148**, a cold water supply line **4182** extending between the bathroom **4127** and the water reservoir **4150**, a hot water supply line **4184** extending between the bathroom **4127** and the water heater **4152**, a greywater drain line **4186** extending between the bathroom **4127** and the greywater filter **4154**, a plumbing ventilation line **4188** extending between the bathroom **4127** and the exhaust filter **4146**, and an exhaust line **4190** also extending between the bathroom **4127** and the exhaust filter **4146**. The blackwater drain line **4180** and the greywater drain line **4186** can be sloped to convey liquid waste from the bathroom **4127** toward the blackwater tank **4148** and the greywater filter **4154**, respectively, at least partially by gravity. To facilitate this sloping and/or for other reasons, the bathroom **4127** can have a floor level at least 0.5 meter (e.g., at least 1 meter) higher than an underlying floor level of the interior region **4114**. In the illustrated embodiment, the blackwater drain line **4180** and the greywater drain line **4186** are separate. In other embodiments, a counterpart of the real estate unit **4126** can include combined blackwater and greywater lines. Accordingly, the blackwater drain line **4180** and the greywater drain line **4186** can be more generally referred to as a plumbing drain lines indicating that they can be configured to convey primarily blackwater, primarily greywater, or both blackwater and greywater.

[0333] The real estate unit **4126** can further include a trash hatch **4192**, a recycling hatch **4194**, and a laundry hatch **4196** within the interior region **4114**. The real estate unit **4126** can also include a trash chute **4198** extending between the trash hatch **4192** and the trash bin **4160**, a recycling chute **4200** extending between the recycling hatch **4194** and the recycling bin **4162**, and a laundry chute **4202** extending between the laundry hatch **4196** and the laundry bin **4164**. The refrigerant lines **4174**, electrical line **4178**, blackwater drain line **4180**, cold water supply line **4182**, hot water supply line **4184**, greywater drain line **4186**, plumbing ventilation line **4188**, exhaust line **4190**, trash chute **4198**, recycling chute **4200**, and laundry chute **4202** can extend through the exterior wall **4104g**. For example, some or all of these lines and chutes can extend through retrofitted openings in the exterior wall **4104g**. In at least some embodiments, these openings are readily patchable to facilitate returning the interior region **4114** to garage use if the real estate unit **4126** is decommissioned. The lines and chutes can be removably disposed inside and/or outside the interior region **4114**. For example, the lines and chutes can be temporary and configured for reuse or disposal upon decommissioning of the real estate unit **4126**. In at least some embodiments, the blackwater drain line **4180** and the greywater drain line **4186** extend above-floor and then above-ground from the bathroom **4127** toward the blackwater tank **4148** and the greywater filter **4154**, respectively.

[0334] The dock **4142** can include additional lines, connections, and other suitable components ancillary to the components of the real estate unit **4126** at the dock **4142**. For example, the dock **4142** can include a housing **4204** that provides security and protection from weather to components of the real estate unit **4126** at the dock **4142**. The housing **4204** can include a lid (not shown) configured to be

open when the real estate unit **4126** is being serviced and closed and locked when the real estate unit **4126** is not being serviced. In at least some embodiments, the lid includes solar panels (also not shown) operably connected to the battery **4158**. The dock **4142** can further include couplings along some or all of the lines and chutes described above. These couplings can separate portions of the lines and chutes within the housing **4204** from portions of the lines and chutes outside the housing **4204**. Thus, by operation of these couplings, the dock **4142** can be transportable as a unit with little or no need to modify internal portions of the dock **4142** in the field. For example, the dock **4142** can be pre-manufactured with the internal components shown in FIG. **91**, installed at the location shown in FIG. **91**, and then connected up to portions of the associated lines and chutes outside of the housing **4204**.

[0335] The dock **4142** can further include couplings that facilitate convenient removal and replacement (e.g., swapping) of the blackwater tank **4148**, the battery **4158**, the trash bin **4160**, the recycling bin **4162**, and the laundry bin **4164**. For example, the dock **4142** can include a blackwater drain quick-connect coupling **4206** through which the blackwater tank **4148** is fluidically connected to the blackwater drain line **4180** and the bathroom **4127**. In at least some embodiments, the drain quick-connect coupling **4206** includes a check valve. Similarly, the dock **4142** can include an electrical quick-connect coupling **4208** through which the battery **4158** is electrically connected to the electrical line **4178** and the electrical outlet **4176**. The dock **4142** can also include a floor **4210** having pads **4212** (individually identified as pads **4212a-4212e**) that facilitate convenient registration of the blackwater tank **4148**, the battery **4158**, the trash bin **4160**, the recycling bin **4162**, and the laundry bin **4164** with the blackwater drain quick-connect coupling **4206**, the electrical quick-connect coupling **4208**, the trash chute **4198**, the recycling chute **4200**, and the laundry chute **4202**, respectively. For example, the pads **4212a-4212e** can be insets in the floor **4210** that snugly receive corresponding lower portions of the blackwater tank **4148**, the battery **4158**, the trash bin **4160**, the recycling bin **4162**, and the laundry bin **4164**, respectively.

[0336] As shown in FIG. **91**, the dock **4142** can include a potable water inlet **4214** and a greywater outlet **4216**. The real estate unit **4126** can include a first hose **4218** extending between the hose bibb **4124** and the potable water inlet **4214**. The real estate unit **4126** can further include sprinkler **4220** and a second hose **4222** extending between the greywater outlet **4216** and the sprinkler **4220**. The exterior enclosure **4135** can include a greywater inlet **4224** fluidically connected to a branch **4226** of the second hose **4222**. Filtered greywater can be distributed to support grass or other vegetation (not shown) via the sprinkler **4220**, and distributed to support the vegetation **4140** via an internal distribution system (e.g., a network of hoses; not shown) of the exterior enclosure **4135**. The dock **4142** can include internal plumbing (e.g., under the floor **4210**; not shown) fluidically connecting the water reservoir **4150** and the potable water inlet **4214**, and fluidically connecting the greywater filter **4154** and the greywater outlet **4216**. In at least some embodiments, this internal plumbing includes a pump (not shown). The dock **4142** can further include an exhaust output fan **4228** and an internal duct **4230** extending between the exhaust output fan **4228** and the exhaust filter

**4146.** The dock **4142** can also include an inverter **4232** operably connected to the electrical line **4178**.

[0337] The real estate unit **4126** can be furnished or otherwise outfitted with suitable furnishings, fixtures, accessories, etc. to accommodate its non-garage alternative use. In the illustrated embodiment, the real estate unit **4126** is a lodging and/or residential unit with suitable furnishings, fixtures, accessories, etc. within the interior region **4114** to accommodate lodging and/or residential use of the interior region **4114**. These furnishings, fixtures, accessories, etc. can include a bed **4234**, a side table **4236**, shelving units **4238** (individually identified as shelving units **4238a-4238d**), a writing table **4240**, a chair **4242**, a sofa **4244**, a coffee table **4246**, a television **4248**, a kitchenette **4250**, a refrigerator **4252**, and a set of step stairs **4254**. The kitchenette **4250** and the set of step stairs **4254** can be operably associated with the bathroom **4127**. The real estate unit **4126** can further include a closet **4256** disposed (e.g., removably disposed) within the interior region **4114**. In other embodiments, a counterpart of the real estate unit **4126** can include other suitable furnishings, fixtures, accessories, etc. As described in further detail below, real estate units in accordance with other embodiments of the present technology can be rentable office units, rentable assembly units, and/or have other suitable primary uses in addition to or instead of lodging and/or residential uses. Furthermore, rentable real estate units in accordance with embodiments of the present technology can be directly rentable, rentable via a membership system (e.g., in a member-based network of real estate units), rentable under short-term use arrangements (e.g., lodging arrangements), and/or rentable in another suitable manner.

[0338] FIG. 92 is an enlarged view of a first portion of FIG. 91 showing the barrier **4131**. FIGS. 93 and 94 are, respectively, a cross-sectional exterior side profile view and a cross-sectional interior side profile view of a portion of the real estate unit **4126** corresponding to the first portion of FIG. 91 shown in FIG. 92. With reference to FIGS. 91-94 together, the barrier **4131** can include a first mass of self-leveling material **4300** (e.g., a first disposable mass of hardened self-leveling grout) underlying the barrier **4131**. The first mass of self-leveling material **4300** can be molded and, in at least some cases, is integrally formed along most or all of an overall footprint of the barrier **4131**. During formation of the first mass of self-leveling material **4300**, the constituent self-leveling material can be of sufficiently low viscosity to level itself by gravity. Thus, the first mass of self-leveling material **4300** can automatically conform to slopes, dips, and/or other irregularities in a ground surface at which the barrier **4131** is installed.

[0339] In at least some embodiments, the outdoor area **4118** has a paved surface **4301** that is not level. The exterior enclosure **4135** can include a second mass of self-leveling material **4302** (e.g., a second disposable mass of hardened self-leveling grout) underlying the wall components **4136**. Similar to the first mass of self-leveling material **4300**, the second mass of self-leveling material **4302** can be molded and, in at least some cases, is integrally formed along most or all of an overall footprint of the exterior enclosure **4135**. During formation of the second mass of self-leveling material **4302**, the constituent self-leveling material can be of sufficiently low viscosity to level itself by gravity. Thus, the second mass of self-leveling material **4302** can automatically conform to slopes, dips, and/or other irregularities in

the paved surface **4301**. When at least partially cured, the second mass of self-leveling material **4302** can provide the exterior enclosure **4135** with a reliably level surface that facilitates vertical stacking of the wall components **4136**.

[0340] As shown in FIG. 93, the exterior enclosure **4135** can include base blocks **4304** between the second mass of self-leveling material **4302** and the lowermost row of the wall components **4136**. The wall components **4136** can be hollow and can contain planting medium **4306**. The base blocks **4304** can also be hollow and can include antimicrobial medium **4308**. The exterior enclosure **4135** can further include a soaker hose **4309** that receives filtered greywater from the branch **4226** of the second hose **4222**. In the illustrated embodiment, the soaker hose **4309** is loosely disposed in a serpentine manner at an upper portion of an uppermost row of the wall components **4136** within the exterior enclosure **4135**. The soaker hose **4309** can distribute filtered greywater throughout the planting medium **4306** at the uppermost row of the wall components **4136**. Once the planting medium **4306** at the uppermost row of the wall components **4136** is saturated, the filtered greywater can move by gravity and/or capillary action to the planting medium **4306** at a second-to-uppermost row of the wall components **4136** within the exterior enclosure **4135**. This process can continue until the filtered greywater reaches the antimicrobial medium **4308**. The antimicrobial medium **4308** can be a synthetic sponge or other suitable substrate that reduces or eliminates pools of the excess filtered greywater from developing within the base blocks **4304**. Excess filtered greywater within the antimicrobial medium **4308** can drain from the base blocks **4304** onto the paved surface **4301** and along the paved surface **4301** to a storm drain (not shown). In other embodiments, the filtered greywater can be distributed through the exterior enclosure **4135** in another suitable manner. For example, a counterpart of the exterior enclosure **4135** can include separate soaker hoses at respective rows of wall components **4136**. These soaker hoses can be connected to the branch **4226** of the second hose **4222** via a manifold. In still other embodiments, a counterpart of the exterior enclosure **4135** can have an irrigation system that uses freshwater instead of filtered greywater, or no irrigation system at all.

[0341] With reference again to FIGS. 91-94 together, the barrier **4131** can include a frame **4310**, hinges **4312** operably connecting the door **4133** and the frame **4310** to one another, and a handle **4314** that facilitates operation of the door **4133** from outside the interior region **4114**. The barrier **4131** can further include a smart lock **4316** configured to allow a renter of the real estate unit **4126** to unlock the door **4133** by operation of a mobile device (e.g. a mobile phone), by entering a passcode, by providing a biometric identification (e.g., a fingerprint), or in another suitable manner. The barrier **4131** can be removably fastened to the exterior wall **4104h**. In the illustrated embodiment, the barrier **4131** is removably bolted to the exterior wall **4104h**. In other embodiments, a counterpart of the barrier **4131** can be removably screwed to the exterior wall **4104h**, removably clamped to the exterior wall **4104h**, and/or removably fastened to the exterior wall **4104h** in another suitable manner in addition to or instead of being removably bolted to the exterior wall **4104h**. In still other embodiments, a counterpart of the barrier **4131** can be permanently installed at the exterior wall **4104h**.

[0342] With reference again to FIGS. 91-94, the barrier 4131 can include a gasket 4318 disposed between the frame 4310 and the exterior wall 4104h. The gasket 4318 can be compressible such that it conforms to irregularities in the exterior wall 4104h and thereby enhances a weather resistance of a connection between the barrier 4131 and the exterior wall 4104h. The barrier 4131 can further include bolts 4320 that extend through the frame 4310, through the gasket 4318, and through the exterior wall 4104h. At an inside surface of the exterior wall 4104h, the barrier 4131 can include furring strips 4322 through which the bolts 4320 also extend, and nuts 4324 operably connected to the bolts 4320 and bearing on the furring strips 4322. In the illustrated embodiment, the barrier 4131 is an overlay that covers the opening 4116 at an exterior side of the exterior wall 4104h. In other embodiments, the barrier 4131 can have another suitable form and/or position relative to the opening 4116. For example, rather than being disposed at the exterior side of the exterior wall 4104h, a counterpart of the barrier 4113 can be disposed at an interior side of the exterior wall 4104h.

[0343] As shown in FIG. 94, in the illustrated embodiment, the overhead door 4120 is stowed within the interior region 4114 in an open state. For example, the door track 4122 can remain in place after the garage 4102 is retrofitted for an alternative use. A motor (not shown) operably connected to the overhead door 4120 can be temporarily disabled so that the overhead door 4120 remains out-of-service during operation of the real estate unit 4126. Leaving the overhead door 4120 and the door track 4122 in place after the garage 4102 is retrofitted for an alternative use can be useful, for example, to reduce an investment necessary to return the interior region 4114 to garage use, as needed. In other embodiments, the overhead door 4120 can be removed from the interior region 4114 when the garage 4102 is retrofitted for an alternative use. In still other embodiments, a counterpart of the overhead door 4120 can be retrofitted with windows and/or a doorway. In these embodiments, the counterpart of the overhead door 4120 can take the place of the barrier 4131.

[0344] FIG. 95 is a top plan view corresponding to the first portion of FIG. 91 shown in FIG. 92 and showing a barrier 4350 of a real estate unit in accordance with another embodiment of the present technology. In contrast to the barrier 4131 shown in FIGS. 91-94, the barrier 4350 is an inset rather than an overlay. For example, the barrier 4350 can be disposed within the opening 4116 rather than at an exterior or interior side of the exterior wall 4104h. As shown in FIG. 95, the barrier 4350 can include a frame 4352 that is narrower than the opening 4116. The barrier 4350 can further include a gasket 4354 disposed between the frame 4352 and sidewalls of the opening 4116. The barrier 4350 can also include screws 4356 extending laterally into portions of the exterior wall 4104h on opposite sides of the opening 4116. The gasket 4354 can be layered to compensate for a difference between a width of the frame 4352 and a width of the opening 4116, such as when the barrier 4350 is a standard size and the opening 4116 is a non-standard size. Although not adaptable to as wide a range of opening widths as the barrier 4131 described above, the barrier 4350 may be preferred over the barrier 4131 in some cases for aesthetic or other reasons.

[0345] FIG. 96 is an enlarged view of a second portion of FIG. 91 showing the exterior enclosure 4135. FIGS. 97 and 98 are cross-sectional exterior side profile views of a portion

of the real estate unit 4126 corresponding to the second portion of FIG. 91 shown in FIG. 96 with the vegetation 4140 shown and not shown, respectively. FIG. 99 is an enlarged view of a third portion of FIG. 91. FIGS. 100 and 101 are cross-sectional exterior side profile views of a portion of the real estate unit 4126 corresponding to the third portion of FIG. 91 shown in FIG. 99 with the vegetation 4140 shown and not shown, respectively. FIG. 102 is an enlarged view of a portion of FIG. 98. With reference to FIGS. 91-94 and 96-102 together, the exterior enclosure 4135 can include staggered rows of the wall components 4136. For example, the wall components 4136 at corners of the exterior enclosure 4135 distant from the exterior wall 4104h can alternate row-to-row between larger and smaller L-shapes. Similarly, the wall components 4136 at portions of the exterior enclosure 4135 closest to the exterior wall 4104h can alternate row-to-row between larger and smaller rectangular shapes. Elsewhere within the exterior enclosure 4135, the wall components 4136 can have the larger rectangular shape.

[0346] The overall exterior enclosure 4135 can be self-supporting and/or free-standing. As shown in FIG. 102, the wall components 4136 can be stacked within the exterior enclosure 4135. Furthermore, the wall components 4136 can be interlocking within the exterior enclosure 4135. For example, the individual wall components 4136 can include downwardly extending flanges 4400 that are received within successively lower wall components 4136. The base blocks 4304 can be configured to receive the flanges 4400 of the wall components 4136 within a lowest row of wall components 4136 within the exterior enclosure 4135. As discussed above, the wall components 4136 can be planters. In at least some embodiments, the wall components 4136 include apertures 4402 through which the vegetation 4140 grows outwardly from roots (not shown) within the wall components 4136. The apertures 4402 can be large enough to allow passage of bulbs, cuttings, seedlings, etc. (not just seeds) into the planting medium 4306 after the exterior enclosure 4135 is assembled. For example, the individual apertures 4402 can have a width greater than 2 centimeters, such as a width within a range from 2 to 8 centimeters. As discussed above, the exterior enclosure 4135 can be configured to facilitate distribution of filtered greywater throughout the planting medium 4306. The base blocks 4304 can include holes 4406 through which excess filtered greywater exits the exterior enclosure 4135.

[0347] As shown in FIG. 97, the apertures 4402 can be differentially planted to form a brand identifier 4404 (e.g., a trade and/or service mark) or other suitable design at an exterior side (e.g., street-facing side) of the exterior enclosure 4135. Differential planting can include selectively planting the apertures 4402 with multiple types of plants and/or selectively planting and not planting the apertures 4402 with a single type of plant. For example, the non-planted apertures 4402 can be capped. Forming a brand identifier 4404 by differential planting can be useful to balance aesthetic considerations in a neighborhood setting with the need for clear communication of a brand associated with the real estate unit 4126 to consumers. The apertures 4402 can collectively form an array that facilitates forming the brand identifier 4404 in a consistent manner when the real estate unit 4126 is one of many real estate units for which the brand identifier 4404 is applicable. For example, a given aperture 4402 can be planted with a predetermined

plant depending on its position within the array according to a reproducible plan. A template (not shown) can be temporarily placed over the exterior side of the exterior enclosure **4135** and registered to the array to facilitate rapid execution of the plan with little or no need for customized execution of the plan in the field. Furthermore, using relatively large and/or more mature plantings can allow the vegetation **4140** to be formed more efficiently and/or with less lead time than would be the case using seeds.

[0348] FIG. **103** is side profile view of a given one of the wall components **4136**. FIG. **104** is a cross-sectional top plan view of the given wall component **4136** taken along the line **104-104** in FIG. **103**. FIG. **105** is a cross-sectional bottom plan view of the given wall component **4136** taken along the line **105-105** in FIG. **103**. FIG. **106** is a cross-sectional end plan view of the given wall component **4136** taken along the line **106-106** in FIG. **103**. FIG. **107** is an enlarged view of a portion of FIG. **106**. The given wall component **4136** is of the large rectangular type. In at least some embodiments, other (e.g., most or all) of the wall components **4136** of the large rectangular type within the exterior enclosure **4135** at least substantially match the given wall component **4136**. Furthermore, wall component **4136** of other types (e.g., small rectangular, large L-shaped, small L-shaped, etc.) can have the same or similar features as the features of the given wall component **4136**. With reference to FIGS. **103-107** together, the given wall component **4136** can include a rigid shell **4408**, a package **4410** removably disposed within the shell **4408**, and a rigid plate **4412** also removably disposed within the shell **4408**. The package **4410** can contain the planting medium **4306** in a tidy form. The plate **4412** can support the package **4410**.

[0349] In at least some embodiments, the shell **4408** is collapsible from an expanded state to a compact (e.g., at least partially flattened) state. For example, at corners where the first and second side panels **4414**, **4416** and the first and second end panels **4418**, **4420** meet, the given wall component **4136** can include hinges (not shown), such as flexure bearings or piano hinges, that allow each corner to fold in a direction that causes the first and second side panels **4414**, **4416** and the first and second end panels **4418**, **4420** to at least partially flatten. This feature can facilitate efficient storage and transport of the shell **4408** before and/or after its deployment at the real estate unit **4126**. In at least some embodiments, the plate **4412** helps to hold the shell **4408** in the expanded state. As shown in FIG. **107**, a lowermost portion of the first side panel **4414** can overlap an uppermost portion of one the flanges **4400**. The plate **4412** can rest on upper edges of the flanges **4400**.

[0350] The shell **4408** can include a first side panel **4414** and an opposite second side panel **4416** parallel to and spaced apart from the first side panel **4414**. Similarly, the given wall component **4136** can include a first end panel **4418** and an opposite second end panel **4420** parallel to and spaced apart from the first end panel **4418**. The first and second side panels **4414**, **4416** and the first and second end panels **4418**, **4420** can define an interior region of the given wall component **4136** shaped, for example, as a rectangular solid. The apertures **4402** can extend through the shell **4408** at the first and second side panels **4414**, **4416**. Alternatively, the apertures **4402** can extend through the shell **4408** at only the first side panel **4414** or at only the second side panel

**4416** if the vegetation **4140** is only desired at one or the other of the interior and exterior sides of the exterior enclosure **4135**.

[0351] The given wall component **4136** can include two of the flanges **4400** at the first side panel **4414** and another two of the flanges **4400** at the second side panel **4416**. As shown in FIG. **106**, the flanges **4400** can be parallel to and inset relative to the corresponding first and second side panels **4414**, **4416**. Between the flanges **4400** at the first side panel **4414** and between the flanges **4400** at the second side panel **4416**, the given wall component **4136** can include respective slots **4422**. When the given wall component **4136** is assembled with other wall components **4136** of the large rectangular type within the exterior enclosure **4135**, one of the flanges **4400** at the first side panel **4414** and an opposing one of the flanges **4400** at the second side panel **4416** can be received within the interior region of a first neighboring lower wall component **4136**. Similarly, the other of the flanges **4400** at the first side panel **4414** and the other of the flanges **4400** at the second side panel **4416** can be received within the interior region of a second neighboring lower wall component **4136** adjacent to the first neighboring lower wall component **4136**. The second end panel **4420** of the first neighboring lower wall component **4136** and the first end panel **4418** of the second neighboring lower wall component **4136** can be directly adjacent to one another and received within the slots **4422** of the given wall component **4136**. This interaction between the wall components **4136** can facilitate convenient assembly of the exterior enclosure **4135** with neighboring rows of the wall components **4136** evenly staggered.

[0352] In the illustrated embodiment, the first and second side panels **4414**, **4416** are thinner than the first and second end panels **4418**, **4420** and made of a different material. For example, the first and second side panels **4414**, **4416** can be metal (e.g., iron) and the first and second end panels **4418**, **4420** can be cementitious (e.g., fiber-reinforced cement). The metal composition of the first and second side panels **4414**, **4416** can be useful, for example, for aesthetics, to facilitate magnetic coupling of fixtures and accessories to the exterior enclosure **4135**, and/or for other reasons. The cementitious composition of the first and second end panels **4418**, **4420** can be useful, for example, to reduce noise transmission through the exterior enclosure **4135**, for cost savings, and/or for other reasons. In other embodiments, the first and second side panels **4414**, **4416** and the first and second end panels **4418**, **4420** can have other suitable compositions. The package **4410** can be reusable and/or compostable. Furthermore, the package **4410** can be configured to remain at least substantially intact for convenient reuse and/or composting upon disassembly of the exterior enclosure **4135**. In at least some embodiments, the package **4410** includes a biodegradable skin **4424** that contains the planting medium **4306**. When the exterior enclosure **4135** is assembled, the skin **4424** can be punctured via the apertures **4402**. Suitable materials for the skin **4424** include burlap and cotton, among others. As shown in FIG. **105**, the plate **4412** can include perforations **4426** through which water can flow by gravity from one wall component **4136** to a neighboring lower wall component **4136** (or base block **4304**).

[0353] FIGS. **108**, **109**, **110** and **111** are, respectively, a first side profile view, an opposite second side profile view, a first end profile view, and an opposite second end profile view of the bathroom **4127**. With reference to FIGS. **108-111**



together, the bathroom 4127 can include a rectangular floor module 4500, a rectangular ceiling module 4502 vertically spaced apart from the floor module 4500, and a plurality of wall modules 4504 (individually identified as wall modules 4504a-4504d) removably connected to the floor and ceiling modules 4500, 4502 at respective perimeter portions of the floor and ceiling modules 4500, 4502. The bathroom 4127 can further include a lower gasket 4506 disposed between the perimeter portion of the floor module 4500 and the wall modules 4504, and an upper gasket 4508 disposed between the perimeter portion of the ceiling module 4502 and the wall modules 4504. The floor module 4500 can include upwardly extending tabs 4510 through which the floor module 4500 is secured to the wall modules 4504. Similarly, the ceiling module 4502 can include downwardly extending tabs 4512 through which the ceiling module 4502 is secured to the wall modules 4504. The wall modules 4504c, 4504d can include vertical flanges 4514 at which the wall modules 4504c, 4504d are secured to the wall modules 4504a, 4504b. The bathroom 4127 can include bolts 4516 and associated nuts 4518 at the upwardly extending tabs 4510, the downwardly extending tabs 4512, and the vertical flanges 4514.

[0354] At the wall module 4504a (FIG. 110), the bathroom 4127 can include a doorway opening 4520, a frame 4522 extending around the doorway opening 4520, and a door 4524 disposed within the doorway opening 4520 and hingedly connected to the frame 4522. The bathroom 4127 can further include a handle 4526 and hinges 4528 operably associated with the door 4524. At the wall module 4504c (FIG. 108), the bathroom 4127 can include a plumbing ventilation hookup 4530 and an exhaust hookup 4532. The plumbing ventilation hookup 4530 and the exhaust hookup 4532 can be configured for convenient connection to and disconnection from the plumbing ventilation line 4188 and the exhaust line 4190 (FIG. 91), respectively, such as via quick release couplings (not shown). The wall modules 4504c, 4504d can extend between the wall modules 4504a, 4504b at opposite sides of the bathroom 4127. As discussed above, the bathroom 4127 can be configured to be elevated above a floor surface of the interior region 4114. For this purpose and/or another suitable purpose, the floor module 4500 can include feet 4533. In at least some embodiments, a gap between the feet 4533 is large enough to allow the bathroom 4127, when fully assembled, to be conveniently moved by forklift. At the ceiling module 4502, the bathroom 4127 can include skylights 4534 that allow ambient light within the interior region 4114 to enter an interior of the bathroom 4127.

[0355] At a side of the floor module 4500 below the wall module 4504c, the bathroom 4127 can include a blackwater drain hookup 4535, a main cold water supply hookup 4536, and a main hot water supply hookup 4538. At an end of the floor module 4500 below the wall module 4504a, the bathroom 4127 can include a main electrical hookup 4540 and a main greywater drain hookup 4541. The blackwater drain hookup 4535, the main cold water supply hookup 4536, the main hot water supply hookup 4538, the main electrical hookup 4540, and the main greywater drain hookup 4541 can be configured for convenient connection to and disconnection from the blackwater drain line 4180, the cold water supply line 4182, the hot water supply line 4184, the electrical line 4178, and the greywater drain line 4186, respectively, such as via quick release couplings (not shown). At a side of the floor module 4500 below the wall

module 4504d, the bathroom 4127 can include an auxiliary greywater drain hookup 4542, an auxiliary cold water supply hookup 4544, an auxiliary hot water supply hookup 4546, and an auxiliary electrical hookup 4548. The auxiliary greywater drain hookup 4542, the auxiliary cold water supply hookup 4544, the auxiliary hot water supply hookup 4546, and the auxiliary electrical hookup 4548 can be configured for convenient connection to and disconnection from corresponding lines (not shown) of the kitchenette 4250, such as via quick release couplings (not shown).

[0356] FIG. 112 is a cross-sectional top plan view of the bathroom 4127 taken along the line 112-112 in FIG. 108. As shown in FIG. 112, the floor module 4500 can include a deck 4554, and the bathroom 4127 can include a sink 4556, a toilet 4558, and a bathtub/shower 4560 disposed (e.g., removably disposed) on the deck 4554. The sink 4556 can include a basin 4562, a sink drain 4564, a sink faucet 4566, a sink hot water knob 4568, and a sink cold water knob 4570 operably connected to one another. The toilet 4558 can include a tank 4572, a bowl 4574, and a toilet drain 4576 operably connected to one another. The bathtub/shower 4560 can include a tub 4578, a bathtub/shower drain 4580, a tub faucet 4582, a tub cold water knob 4584, a tub hot water knob 4586, a cold water conduit 4588, and a hot water conduit 4590 operably connected to one another. The cold water conduit 4588 can include a riser 4592 and a first branch 4594 extending between the riser 4592 and the tub faucet 4582. The tub cold water knob 4584 can be disposed along the first branch 4594 and operable to control a flow of cold water from the cold water conduit 4588 to the tub faucet 4582. Similarly, the hot water conduit 4590 can include a riser 4596 and a first branch 4598 extending between the riser 4596 and the tub faucet 4582. The tub hot water knob 4586 can be disposed along the first branch 4598 and operable to control a flow of hot water from the hot water conduit 4590 to the tub faucet 4582.

[0357] The bathroom 4127 can include an electrical conduit 4600, and a junction box 4602 operably connected to the electrical conduit 4600. The bathroom 4127 can further include a first plumbing ventilation conduit 4604 disposed between the sink 4556 and the toilet 4558, and a second plumbing ventilation conduit 4605 disposed between the sink 4556 and the bathtub/shower 4560. The first and second plumbing ventilation conduits 4604, 4605 can be configured to ventilate blackwater and greywater plumbing, respectively. The bathroom 4127 can still further include a floor drain 4606 disposed between the toilet 4558 and the bathtub/shower 4560. FIG. 113 is an enlarged view of a portion of FIG. 112. With reference to FIGS. 112 and 113 together, the bathroom 4127 can include vertical gaskets 4608 disposed between the respective vertical flanges 4514 and corresponding portions of the wall modules 4504a, 4504b. Similarly, the bathroom 4127 can include lower tab gaskets 4610 disposed between the respective upwardly extending tabs 4510 and corresponding portions of the wall modules 4504.

[0358] FIG. 114 is a cross-sectional bottom plan view of the bathroom 4127 taken along the line 114-114 in FIG. 108. As shown in FIG. 114, the bathroom 4127 can include a light fixture 4612 attached to the wall module 4504c above the sink 4556. The bathroom 4127 can further include an exhaust intake fan 4614 attached to the ceiling module 4502. The electrical conduit 4600 can extend from the junction box 4602 (FIG. 112) to the light fixture 4612, and from the light fixture 4612 to the exhaust intake fan 4614. The first

and second plumbing ventilation conduits **4604**, **4605** can merge and extend along an inner corner between the ceiling module **4502** and the wall module **4504c** to the plumbing ventilation hookup **4530** (FIG. **108**). The bathroom **4127** can include an exhaust conduit **4616** extending from the exhaust intake fan **4614** along an inner corner between the ceiling module **4502** and the wall module **4504b** to the exhaust hookup **4532** (FIG. **108**). Above one end of the tub **4578** (FIG. **112**), the bathtub/shower **4560** (FIG. **112**) can include a showerhead **4618**, a shower cold water knob **4620** operably connected to the cold water conduit **4588**, and a shower hot water knob **4622** operably connected to the hot water conduit **4590**. The cold water conduit **4588** can include a second branch **4624** extending between the riser **4592** and the showerhead **4618**. The shower cold water knob **4620** can be disposed along the second branch **4624** and operable to control a flow of cold water from the cold water conduit **4588** to the showerhead **4618**. Similarly, the hot water conduit **4590** can include a second branch **4626** extending between the riser **4596** and the showerhead **4618**. The shower hot water knob **4622** can be disposed along the second branch **4626** and operable to control a flow of hot water from the hot water conduit **4590** to the showerhead **4618**. The bathroom **4127** can include upper tab gaskets **4628** disposed between the respective downwardly extending tabs **4512** and corresponding portions of the wall modules **4504**.

[0359] FIG. **115** is a cross-sectional top plan view of the bathroom **4127** taken along the line **115-115** in FIG. **108**. With reference to FIGS. **91** and **108-115** together, the floor module **4500** can include a skirt **4630** and a series of parallel spaced-apart joists **4632** within the skirt **4630**. The bathroom **4127** can include a blackwater drain conduit **4634** operably connected to the blackwater drain hookup **4535** and the toilet drain **4576**. Thus, the toilet **4558** can be operably connected to the blackwater tank **4148** via the blackwater drain conduit **4634** and the blackwater drain line **4180**. The blackwater drain conduit **4634** can include a branch **4635** operably connected to the first plumbing ventilation conduit **4604**. The bathroom **4127** can further include a greywater drain conduit **4636** operably connected to the main greywater drain hookup **4541**. The greywater drain conduit **4636** can include branches **4638** (individually identified as branches **4638a-4638c**) operably connected to the second plumbing ventilation conduit **4605**, the sink drain **4564**, and the auxiliary greywater drain hookup **4542**, respectively. The greywater drain conduit **4636** can further include sub-branches **4639** (individually identified as sub-branches **4639a**, **4639b**) operably connected to the bathtub/shower drain **4580** and the floor drain **4606**, respectively. Thus, the bathtub/shower drain **4580** can be operably connected to the greywater filter **4154** via the greywater drain conduit **4636** and the greywater drain line **4186**. The sub-branches **4639c**, **4639b** of the greywater drain conduit **4636** can include respective traps **4640**. Furthermore, the blackwater drain conduit **4634** and the greywater drain conduit **4636** can include respective caps **4642**, such as to facilitate clean-out.

[0360] The bathroom **4127** can include wheels **4643** (e.g., swivel casters) integrated into the floor module **4500**. In the illustrated embodiment, the wheels **4643** are embedded within the feet **4533** and accessible via inwardly facing openings (not shown) of the feet **4533**. The individual wheels **4643** can be movable between a retracted state and an extended state. For example, the bathroom **4127** can

include posts **4644** having threads (not shown) that engage corresponding threads (not shown) of the wheels **4643** such that the wheels **4643** can be rotatably moved between the retracted and extended states. Moving the wheels **4643** from the retracted state to the extended state can lift the bathroom **4127** off a corresponding floor surface, thereby allowing the bathroom **4127** to be conveniently moved along the floor surface.

[0361] The bathroom **4127** can further include a main cold water conduit **4645** and a main hot water conduit **4646** operably connected to the main cold water supply hookup **4536** and the main hot water supply hookup **4538**, respectively. The main cold water conduit **4645** can include branches **4648** (individually identified as branches **4648a**, **4648b**) operably connected to the sink **4556** and the bathtub/shower **4560** (via the riser **4592**), respectively. The main cold water conduit **4645** can further include sub-branches **4650** (individually identified as sub-branches **4650a**, **4650b**) operably connected to the auxiliary cold water supply hookup **4544** and the toilet **4558**, respectively. The main hot water conduit **4646** can include branches **4652** (individually identified as branches **4652a**, **4652b**) operably connected to the sink **4556** and the bathtub/shower **4560** (via the riser **4596**), respectively. The main hot water conduit **4646** can further include a sub-branch **4654** operably connected to the auxiliary hot water supply hookup **4546**. The bathroom **4127** can still further include a main electrical conduit **4656** operably connected to the main electrical hookup **4540**. The main electrical conduit **4656** can include branches **4658** (individually identified as branches **4658a**, **4658b**) operably connected to the auxiliary electrical hookup **4548** and a floor heating system (introduced below). The main electrical conduit **4656** can further include a sub-branch **4659** operably connected to the electrical conduit **4600**.

[0362] FIG. **116** is a cross-sectional bottom plan view of the bathroom **4127** taken along the line **116-116** in FIG. **108**. As shown in FIG. **116**, the bathroom **4127** can include a floor heating system **4660** operably associated with the deck **4554**. The floor heating system **4660** can include a control box **4662** operably connected to the branch **4658b** of the main electrical conduit **4656**, and a heating cable **4664** operably connected to the control box **4662**. The heating cable **4664** can have a serpentine configuration and be directly connected to an underside of the deck **4554** between the joists **4632**. With reference to FIGS. **108-116** together, the floor drain **4606**, the blackwater drain conduit **4634** (e.g., including its branch **4635**), the greywater drain conduit **4636** (e.g., including its branches **4638** and sub-branches **4639**), the main cold water conduit **4645** (e.g., including its branches **4648** and sub-branches **4650**), the main hot water conduit **4646** (e.g., including its branches **4652** and sub-branch **4654**), the main electrical conduit **4656** (e.g., including its branches **4658** and sub-branch **4659**), the floor heating system **4660**, and/or other suitable components of the bathroom **4127** can be pre-installed components of the floor module **4500**. Similarly, the supply plumbing for the bathtub/shower **4560** (e.g., including the tub faucet **4582**, the cold water conduit **4588**, the hot water conduit **4590**, and the showerhead **4618**), the light fixture **4612**, and/or other suitable components of the bathroom **4127** can be pre-installed components of the wall module **4504c**. These and/or other aspects of the bathroom **4127** can facilitate rapid deployment, removal, and redeployment of the bathroom **4127**.

[0363] FIG. 117 is a cross-sectional top plan view corresponding to the portion of FIG. 89 shown in FIG. 90 and showing a real estate unit 4700 in accordance with another embodiment of the present technology including the interior region 4114 in the second state. The real estate unit 4700 can include a dock 4701 that does not include the blackwater tank 4148 (FIG. 91) and the blackwater drain line 4180 (FIG. 91) of the real estate unit 4126 (FIG. 91). Instead of these components, the real estate unit 4700 can include a blackwater drain line 4702 extending between the bathroom 4127 and an outdoor sewage hookup 4704. The blackwater drain line 4702 can extend through the exterior wall 4104g from the bathroom 4127 toward the sewage hookup 4704. Furthermore, the blackwater drain line 4702 can extend above-floor and then above-ground from the bathroom 4127 toward the sewage hookup 4704.

[0364] The sewage hookup 4702 can be a retrofitted access point to a municipal, septic, or other permanent sewage system serving the house 4100 (FIG. 88). In at least some cases, the blackwater drain line 4180 connects to the sewage hookup 4702 via a quick-connect coupling (not shown). In the illustrated embodiment, the real estate unit 4700 (like the real estate unit 4126 (FIG. 91)) is configured to recycle greywater. In other embodiments, a counterpart of the real estate unit 4700 can be configured to dispose of greywater with blackwater via the sewage hookup 4702. For example, a counterpart of the bathroom 4127 can be alternatively configured so that a counterpart of the greywater drain conduit 4636 (FIG. 115) is combined with a counterpart of the blackwater drain conduit 4634 (FIG. 115). In these and other embodiments, the exterior enclosure 4135 can be configured to receive water from the hose bibb 4124 and/or configured to receive water in another suitable manner.

[0365] In another embodiment, a counterpart of the real estate unit 4126 (FIG. 91) is operably associated with components that reduce or eliminate the need for frequent servicing and/or connections to permanent utilities serving the house 4100 (FIG. 88). For example, the counterpart of the real estate unit 4126 (FIG. 91) can be operably associated with a high-capacity sewage detention reservoir (not shown) disposed (e.g., removably disposed) outside the interior region 4114, a high-capacity cold water reservoir (not shown) disposed (e.g., removably disposed) outside the interior region 4114, and/or a high-capacity generator (not shown) disposed (e.g., removably disposed) outside the interior region 4114. The high-capacity sewage detention reservoir can be configured for occasional evacuation into a mobile tanker (e.g., a septic system pump truck). Similarly, the high-capacity cold water reservoir can be configured for occasional replenishment from a mobile tanker (e.g., a water supply truck). In these embodiments, with reference to FIG. 91, a counterpart of the dock 4142 can be without the blackwater tank 4148, the water reservoir 4150, the greywater filter 4154, and/or the battery 4158.

[0366] In the embodiments illustrated in FIGS. 91 and 117, the real estate units 4126, 4700 are configured at least primarily as lodging and/or residential units. In other embodiments, a counterpart of the real estate units 4126, 4700 can have another suitable primary use. For example, the counterpart of the real estate units 4126, 4700 can be a rentable office unit, a rentable assembly unit, and/or a rentable unit of another suitable type. For example, FIG. 118 is a cross-sectional top plan view corresponding to the

portion of FIG. 89 shown in FIG. 90 and showing a real estate unit 4750 in accordance with another embodiment of the present technology including the interior region 4114 in the second state. The real estate unit 4750 can be configured at least primarily as a rentable office unit. The real estate unit 4750 can include office furnishings, such as a workstation 4752 removably disposed within the interior region 4114. Because privacy tends to be less important for office uses than for lodging and residential uses and/or for other reasons, the real estate unit 4750 can be without the exterior enclosure 4135 (FIG. 91). Alternatively, a counterpart of the real estate unit 4750 can include the exterior enclosure 4135 (FIG. 91) or a comparable structure.

[0367] FIG. 119 is a cross-sectional top plan view of a real estate unit 4800 in accordance with another embodiment of the present technology including an interior region 4802 of a three-car garage 4804 in the second state. The garage 4804 can include a secondary opening 4806 between the interior region 4114 and the outdoor area 4118. Like the opening 4116, the secondary opening 4806 can be sized to permit passage of a car between the interior region 4114 and the outdoor area 4118. For example, the secondary opening 4806 can have a width within a range from 2 meters to 4 meters. The garage 4804 can further include a secondary door track 4808 at the secondary opening 4806 and a secondary overhead door 4810 operably connected to the secondary door track 4808. In the illustrated embodiment, rather than being stowed in an open state, the secondary overhead door 4810 is stowed in a closed state when the garage 4804 is in the retrofitted state. In other embodiments, the secondary overhead door 4810 can be stowed in an open state or removed and a counterpart of the real estate unit 4800 can include a secondary barrier operably associated with the secondary opening 4806. The secondary barrier can have some or all of the features discussed above for the barrier 4131. In still other embodiments, the secondary overhead door 4810 can remain active (i.e., configured for frequent operation) in the real estate unit 4800 rather than being stowed. In still other embodiments, a counterpart of the barrier 4131 can overlie both the opening 4116 and the secondary opening 4806.

[0368] With reference again to FIG. 119, the real estate unit 4800 can be configured at least primarily as a rentable assembly unit. For example, the real estate unit 4800 can be configured to accommodate parties, classes, etc. Like the real estate unit 4750 (FIG. 118), the real estate unit 4800 can be without the exterior enclosure 4135 (FIG. 91). Alternatively, a counterpart of the real estate unit 4800 can include the exterior enclosure 4135 (FIG. 91) or a comparable structure. The real estate unit 4800 can include a dock 4812 that does not include the trash bin 4160 (FIG. 91), the recycling bin 4162 (FIG. 91), and the laundry bin 4164 (FIG. 91) of the real estate unit 4126 (FIG. 91), but is otherwise the same as or similar to the dock 4142 (FIG. 91).

[0369] FIG. 120 is a cross-sectional top plan view of a real estate unit 4850 in accordance with yet another embodiment of the present technology including the interior region 4802 in the second state. The real estate unit 4850 can be configured at least primarily as a combined lodging and rentable office unit. For example, the real estate unit 4850 can include both a workstation 4752 and a bed 4234. In the illustrated embodiment, the real estate unit 4850 further includes partitions 4852 that close off the bed 4234 during work hours. The partitions 4852 can be reusable and remov-

ably disposed within the interior region **4802** of the garage **4804**. In other embodiments, the partitions **4852** can be omitted and the portion of the interior region **4802** including the bed **4234** can be open to other portions of the interior region **4802**. In still other embodiments, the bed **4802** can be replaced with a sofa bed, a wall bed, or another type of convertible bed that readily transitions between a compact and/or hidden state when not in use and an expanded and/or exposed state when in use.

[**0370**] FIG. **121** is a cross-sectional top plan view of a real estate unit **4860** in accordance with another embodiment of the present technology including an interior region **4861** of a detached one-car garage **4862** in the second state. The garage **4862** can include a side doorway **4863** with a removed door. The real estate unit **4860** can include a reusable bathroom **4864** disposed (e.g., removably disposed) outside the interior region **4861**. The bathroom **4864** can be similar to the bathroom **4127** (FIGS. **108-116**) and can include a door **4865** aligned with the side doorway **4863**. Similar to the barrier **4131** (FIG. **92**), the bathroom **4864** can include a gasket **4866** disposed between a wall of the bathroom **4864** and an exterior wall of the garage **4862**. The gasket **4866** can be compressible such that it conforms to irregularities in the corresponding exterior wall of the garage **4862** and thereby enhances a weather resistance of a connection between the bathroom **4864** and the exterior wall of the garage **4862**. The bathroom **4864** can further include bolts or clamps (not shown) that secure the connection between the bathroom **4864** and the exterior wall of the garage **4862**.

[**0371**] FIG. **122** is a cross-sectional top plan view of a real estate unit **4870** in accordance with another embodiment of the present technology including an interior region **4872** of a detached two-car garage **4874** in the second state. The garage **4874** can include a rear doorway **4876** that is not in service. For example the rear doorway **4876** can be blocked by the closet **4256** of the real estate unit **4870**. As with the real estate unit **4860** (FIG. **121**), the bathroom **4864** of the real estate unit **4870** can be disposed (e.g., removably disposed) outside the interior region **4872**. The real estate unit **4870** can include a barrier **4878** disposed (e.g., removably disposed) between the interior region **4872** and the outdoor area **4118** adjacent to the garage **4874**. The barrier **4878** can be configured to permit ingress to and egress from the interior region **4872**. The barrier **4878** can also be configured to permit access to the bathroom **4864** of the real estate unit **4870** from the interior region **4872**. For example, the barrier **4878** can include an opening **4880** aligned with the door **4865** of the bathroom **4864**. The real estate unit **4870** can also include a dock **4882** similar to the dock **4812** described above with reference to FIG. **119**.

[**0372**] FIG. **123** is a cross-sectional top plan view of a real estate unit **4890** in accordance with yet another embodiment of the present technology including an interior region **4892** of a detached two-car garage **4894** in the second state. The garage **4894** can include a side doorway **4896** that is in service for providing ingress to and egress from the interior region **4892**. Again, the bathroom **4864** of the real estate unit **4890** can be disposed (e.g., removably disposed) outside the interior region **4892**. The real estate unit **4890** can include a barrier **4898** disposed (e.g., removably disposed) between the interior region **4892** and the outdoor area **4118** adjacent to the garage **4894**. The barrier **4898** can be similar to the barrier **4878** (FIG. **122**) although without a doorway to

permit ingress to and egress from the interior region **4892**. Rather, as mentioned above, ingress to and egress from the interior region **4892** can be via the side doorway **4896**.

[**0373**] FIG. **124** is a block diagram illustrating a method **4900** for retrofitting a given garage to form at least a portion of a given real estate unit in accordance with an embodiment of the present technology. For simplicity, the method **4900** will be further described primarily in the context of the real estate unit **4126** and the garage **4102**. It should be understood, however, that the method **4900**, when suitable, and/or portions of the method **4900**, when suitable, can be practiced with respect to any of the real estate units **4126**, **4700**, **4750**, **4800**, **4850**, **4860**, **4870**, **4890** and with respect to any of the garages **4102**, **4804**, **4862**, **4874**, **4894** described above with reference to FIGS. **91-123** as well as with respect to other real estate units and garages in accordance with embodiments of the present technology. With reference to FIGS. **91-116** and **124** together, the method **4900** can include leasing the interior region **4114** (block **4902**) or establishing control of the interior region **4114** in another suitable manner. For example, the interior region **4114** can be leased from an owner of the garage **4102** (e.g., an owner of the house **4100**) for provision of lodging, residential space, office space, and/or assembly space, and/or another type of space to third parties.

[**0374**] In at least some embodiments, the method **4900** includes at least substantially reversibly retrofitting the garage **4102** to accommodate a non-garage use (e.g., a lodging use, a residential use, an office use, and/or an assembly use) at the interior region **4114**. In these and other embodiments, it may be economically feasible to lease the interior region **4114** and retrofit the garage **4102** with little or no long-term commitment from an owner of the garage **4102**. This can be due to the reusability of a significant amount of the capital associated with retrofitting the garage **4102** and/or for other reasons. Accordingly, in some embodiments, the interior region **4114** is leased month-to-month. In other embodiments, the interior region **4114** can be leased under terms that allow the owner of the garage **4102** to terminate the lease with notice of less than one month. In still other embodiments, the interior region **4114** can be controlled by an operator of the real estate unit **4126** under other lease arrangements, under non-lease contractual arrangements (e.g., franchising), or under fee simple ownership. After direct or indirect control over the interior region **4114** is established, the method **4900** can include subleasing (or leasing if the garage **4102** is owned in fee simple) the interior region **4114** to a renter. When the interior region **4114** is leased separately from other portions of the house **4100**, an owner of the house **4100** can occupy or otherwise use the other portions of the house **4100** while the interior region **4114** is leased to third parties. When the interior region **4114** is leased together with other portions of the house **4100**, an operator of the real estate unit **4126** can separately lease the interior region **4114** as the real estate unit **4126** and some or all of the other portions of the house **4100** as another real estate unit.

[**0375**] The method **4900** can further include transporting modules (e.g., the bathroom **4127**, the barrier **4131**, the wall components **4136**, and/or the dock **4142**) to the garage **4102** (block **4904**). Some or all of the modules can be transported in a compact state. For example, the bathroom **4127** can be transported in its disassembled state, the barrier **4131** can be transported in its folded state, the wall components **4136** can

be transported in their disassembled states, and/or the shells **4408** can be transported in their collapsed states. The method **4900** can further include receiving the modules at the garage **4102** (block **4906**). For example, the bathroom **4127**, the barrier **4131**, the wall components **4136**, the dock **4142**, and/or other suitable components of the real estate unit **4126** can be received at the garage **4102** in an at least substantially pre-manufactured state.

[0376] After the bathroom **4127** is received at the garage **4102**, the method **4900** can include installing the bathroom **4127** (block **4908**), such as by disposing (e.g., removably disposing) the bathroom **4127** within or outside the interior region **4114**. In at least some embodiments, installing the bathroom **4127** includes assembling (e.g., at least substantially reversibly assembling) a set of reusable bathroom modules (e.g., the floor module **4500**, the ceiling module **4502**, and the wall modules **4504**) to form an assembly of reusable bathroom modules. For example, the method **4900** can include disposing (e.g., removably disposing) the floor module **4500** at a suitable location within or outside the interior region **4114**, and connecting (e.g., removably connecting) the wall modules **4504** to the floor module **4500** at a perimeter portion of the floor module **4500**. The bathroom **4127** can be disposed within the interior region **4114** such that the floor level of the bathroom **4127** is at least 0.5 meter higher than the underlying floor level of the interior region **4114**. The method **4900** can further include installing (e.g., removably installing) furnishings within the interior region **4114**. For example, when the garage **4102** is retrofitted for lodging and/or residential use at the interior region **4114**, the method **4900** can include disposing (e.g., removably disposing) lodging and/or residential furnishings within the interior region **4114**. As another example, when the garage **4102** is retrofitted for office use at the interior region **4114**, the method **4900** can include disposing (e.g., removably disposing) office furnishings within the interior region **4114**.

[0377] The method **4900** can also include installing the barrier **4131** (block **4912**). For example, the method **4900** can include disposing (e.g., removably and stationarily disposing) the barrier **4131** between the interior region **4114** and the outdoor area **4118**. The barrier **4131** can be installed such that a path permitting a renter of the real estate unit **4126** to move between the interior region **4114** and the outdoor area **4118** extends through the opening **4116** and through the barrier **4131**. Installing the barrier **4131** can include installing the barrier **4131** in an unfolded state. In addition or alternatively, installing the barrier **4131** can include at least substantially reversibly assembling a set of barrier modules to form an assembly of barrier modules. In at least some embodiments, installing the barrier **4131** includes fastening (e.g., removably fastening) the barrier **4131** to the exterior wall **4104h**. For example, the barrier **4131** can be bolted, screwed, and/or clamped to the exterior wall **4104h**. Installing the barrier **4131** can further include forming the first mass of self-leveling material **4300**, such as integrally along most or all of an overall footprint of the barrier **4131**. The barrier **4131** can then be installed over the first mass of self-leveling material **4300**. In some embodiments, installing the barrier **4131** includes inserting the barrier **4131** into the opening **4116**. In other embodiments, installing the barrier **4131** includes overlaying the barrier **4131** over the opening **4116**. For example, installing the barrier **4131** can include compressing the gasket **4354** between the frame **4352** and the exterior wall **4104h**. In

conjunction with installing the barrier **4131** or separately, the method **4900** can include stowing the overhead door **4120** within the interior region **4114** in its open state (block **4914**). In at least some cases, this includes disabling (e.g., reversibly disabling) a control for the overhead door **4120**.

[0378] As shown in FIG. **124**, the method **4900** can include installing the dock **4142** (block **4916**). For example, the method **4900** can include disposing (e.g., removably disposing) the dock **4142** outside the interior region **4114**. In conjunction with installing the dock **4142** or separately, the method **4900** can include disposing (e.g., removably disposing) the water reservoir **4150**, the battery **4158**, the blackwater tank **4148**, and/or other suitable modules outside the interior region **4114**. These modules can be connected (e.g., removably connected) to the dock **4142** and/or to other suitable components of the real estate unit **4126**. For example, the water reservoir **4150** and the bathroom **4127** can be operably connected via the cold water supply line **4182**; the toilet **4558** and the blackwater tank **4148** can be operably connected via the blackwater drain line **4180**; and the bathtub/shower drain **4580** and the greywater filter **4154** can be operably connected via the greywater drain line **4186**. In addition or alternatively, the bathroom **4127** and the sewage hookup **4704** can be operably connected via the blackwater drain line **4702**. When the bathroom **4127** is operably connected to the blackwater tank **4148**, establishing this connection can include operating the blackwater drain quick-connect coupling **4206** to fluidically connect the bathroom **4127** and the blackwater tank **4148**. Similarly, the electrical quick-connect coupling **4208** can be operated to electrically connect the battery **4158** and the bathroom **4127**. In at least some embodiments, the garage **4102** is retrofitted for off-grid operation with respect to an electrical supply to the interior region **4114** and/or retrofitted for off-grid operation with respect to disposal of blackwater from the toilet **4558**.

[0379] Operably connecting the bathroom **4127** and the blackwater tank **4148** can include extending the blackwater drain line **4180** between the bathroom **4127** and the blackwater tank **4148** such that the blackwater drain line **4180** extends above-floor and then above-ground from the bathroom **4127** toward the blackwater tank **4148**. Similarly, operably connecting the bathroom **4127** and the sewage hookup **4704** can include extending the blackwater drain line **4702** between the bathroom **4127** and the sewage hookup **4704** such that the blackwater drain line **4702** extends above-floor and then above-ground from the bathroom **4127** toward the sewage hookup **4704**. In at least some embodiments, installing the dock **4142** further includes connecting (e.g., removably connecting) the water reservoir **4150** and the hose bibb **4124**.

[0380] The method **4900** can further include installing the exterior enclosure **4135** (block **4918**). In at least some cases, this is part of retrofitting the outdoor area **4118** from being a driveway and/or parking area to being the courtyard **4134**. Installing the exterior enclosure **4135** can include forming the second mass of self-leveling material **4302**, such as integrally along most or all of an overall footprint of the exterior enclosure **4135**. The wall components **4136** can then be disposed (e.g., removably disposed) over the second mass of self-leveling material **4302**. The second mass of self-leveling material **4302** can be formed and the wall components **4136** can be disposed at the perimeter portion of the outdoor area **4118** to form at least a portion of the exterior

enclosure **4135**. Disposing the wall components **4136** can include stacking and/or interlocking the wall components **4136**. This can be done, for example, while the shells **4408** are in an expanded state. Installing the exterior enclosure **4135** can further include differentially planting the apertures **4402** to form the brand identifier **4404**. For example, this can be done using a template after all or most of the wall components **4136** of the exterior enclosure **4135** have been installed.

[0381] FIG. 125 is a block diagram illustrating a method **4950** for operating a given real estate unit in accordance with an embodiment of the present technology. As with the method **4900**, the method **4950** will be further described primarily in the context of the real estate unit **4126** and the garage **4102**. It should be understood, however, that the method **4950**, when suitable, and/or portions of the method **4950**, when suitable, can be practiced with respect to any of the real estate units **4126**, **4700**, **4750**, **4800**, **4850**, **4860**, **4870**, **4890** and with respect to any of the garages **4102**, **4804**, **4862**, **4874**, **4894** described above with reference to FIGS. 91-120 as well as with respect to other real estate units and garages in accordance with embodiments of the present technology. With reference to FIGS. 91-116 and 125 together, the method **4950** can be practiced in connection with providing lodging, rentable residential space, rentable office space, rentable assembly space, and/or another suitable type of space at the interior region **4114**. The method **4950** can include leasing the interior region **4114** (block **4952**) or maintaining control of the interior region **4114** in another suitable manner, such as one of the manners described above in connection with establishing control of the interior region **4114** in the method **4900**.

[0382] The method **4950** can further include providing renter access to the interior region **4114** (block **4954**), such as through the opening **4116** and through the barrier **4131**. In this way, the method **4950** can include providing access to furnishings at the interior region **4114** corresponding to the use type. For example, the method **4950** can include providing renter access to lodging and/or residential furnishings (e.g., the bed **4234**) within the interior region **4114** when the real estate unit **4126** is operated as a lodging and/or residential unit. As another example, the method **4950** can include providing renter access to office furnishings (e.g., the workstation **4752**) within the interior region **4114** when the real estate unit **4126** is operated as an office unit. Providing renter access to the interior region **4114** can occur by leasing the interior region **4114** to the renter, subleasing the interior region **4114** to the renter, providing renter access to the interior region **4114** through a membership agreement, providing renter access to the interior region **4114** through a short-term use arrangement (e.g., a lodging arrangement), and/or providing renter access to the interior region **4114** in another suitable manner. The method **4950** can further include providing renter access to the bathroom **4127** (block **4956**) and providing renter access to the courtyard **4134** (block **4958**).

[0383] As shown in FIG. 125, the method **4950** can include flowing sewage from the bathroom **4127** (block **4960**). For example, the method **4950** can include flowing backwater from the toilet **4129** toward the blackwater tank **4148** via the blackwater drain line **4180**. As another example, the method **4950** can include flowing sewage (e.g., blackwater) from the bathroom **4127** toward the sewage hookup **4704** via the blackwater drain line **4702**. As yet

another example, the method **4950** can include flowing greywater from the bathtub/shower drain **4580** toward the greywater filter **4154**. The method **4950** can also include swapping the blackwater tank **4148** with a less full counterpart of the blackwater tank **4148** to remove sewage from the real estate unit **4126** (block **4962**). This can include operating the blackwater drain quick-connect coupling **4206** to disconnect the blackwater tank **4148** from fluidic connection with the bathroom **4127** and removing the blackwater tank **4148** from the dock **4142**. Swapping the blackwater tank **4148** can be at least partially in response to receiving an indication of a fullness of the blackwater tank **4148** from the sensor **4166a**. In at least some embodiments, the method **4950** includes operating the real estate unit **4126** off-grid with respect to remote disposal of blackwater from the toilet **4129**.

[0384] The method **4950** can further include flowing water toward the bathroom **4127** (block **4964**). For example, the method **4950** can include flowing water from the water reservoir **4150** toward the bathroom **4127** via the cold water supply line **4182**. Furthermore, the method **4950** can include flowing water from the hose bibb **4124** toward the water reservoir **4150** to replenish the water reservoir **4150**. The method **4950** can also include providing electricity to the interior region **4114** (block **4966**). For example, the method **4950** can include powering an appliance within the interior region **4114** using the battery **4158** via the electrical outlet **4176**. The method **4950** can further include swapping the battery **4158** with a less depleted counterpart of the battery **4158** to replenish an electrical supply to the real estate unit **4126**. This can include operating the electrical quick-connect coupling **4208** to disconnect the battery **4158** from electrical connection with the electrical outlet **4176**. Swapping the battery **4158** can be at least partially in response to receiving an indication of a depleted state of the battery **4158** from the sensor **4166c**. In at least some embodiments, the method **4950** includes operating the real estate unit **4126** off-grid with respect to an electrical supply to the interior region **4114**.

[0385] As a person having ordinary skill in the art will recognize, numerous permutations of the features disclosed herein are within the scope of the present technology. For example, the real estate units **4126**, **4700**, **4750** can be implemented at the garage **4804** instead of the garage **4102**. As another example, the real estate units **4800**, **4850** can be implemented at the garage **4102** instead of the garage **4804**. As yet another example, the bathroom **4127** can be tethered for waste disposal and/or water supply to a permanent bathroom (not shown) of the house **4100** in a manner similar to the manner disclosed in U.S. Patent Application No. 62/222,750, which is incorporated herein by reference in its entirety. As yet another example, an exterior enclosure **4135** can be added to the real estate units **4750**, **4800**, **4860**, **4870** and **4890**.

[0386] In another embodiment of the present technology, a real estate unit includes an interior space within a commercial building, a reusable bathroom removably disposed within the commercial building, and a reusable barrier stationarily and removably disposed between the interior space and an outdoor area. The bathroom, barrier, and/or other suitable components of the real estate unit can be configured for low-cost deployment, removal, and redeployment. Use of these components can allow revenue from operating the real estate unit to exceed costs associated

within transitioning the space within the commercial building from its purpose-built use (e.g., loading, storage, parking, and/or vehicle-servicing use) to an alternative use (e.g., lodging, residential, office, and/or assembly use) even if the real estate unit is only operated for a short period of time (e.g., one year or less). Thus, an operator of a network of real estate units may lease a space within a commercial building short-term (e.g., monthly) from an owner of the commercial building and retrofit the space for provision of rentable space to third parties with little or no risk of incurring significant economic loss. Even if the owner terminates the lease or if demand for the newly created real estate unit is lower than expected, most of the capital associated with retrofitting the space can be recoverable. Furthermore, capital embodied in the components can be readily relocatable in response to long-term and short-term (e.g., seasonal) changes in demand.

[0387] Among various types of real estate, commercial buildings having loading, storage, parking, and/or vehicle-servicing spaces are particularly well suited to be retrofitted to accommodate alternative uses. For example, these types of spaces tend to be unfurnished or sparsely finished in their purpose-built use, which can facilitate retrofitting. As another example, these types of spaces typically have large openings at ground level. These openings can be well suited for retrofitting to become sources of natural light and/or points of direct exterior access. As yet another example, commercial buildings having these types of spaces typically have at least one exterior wall well suited for accommodating retrofitted utility connections between indoor and outdoor components. Commercial buildings compatible with embodiments of the present technology can have other desirable attributes in addition to or instead of the forgoing attributes. Furthermore, embodiments of the present technology can be implemented in other types of real estate, such as residential garages.

[0388] FIG. 126 is a back profile view of a commercial building 5100 disposed between neighboring commercial buildings 5101 (individually identified as neighboring commercial buildings 5101a and 5101b). FIG. 127 is a cross-sectional top plan view of the commercial building 5100 taken along the line I-I in FIG. 126. With reference to FIGS. 126 and 127 together, the commercial building 5100 can include a permanent roof 5102, permanent exterior walls 5104 (individually identified as exterior walls 5104a-5104d), and permanent interior walls 5106. The exterior walls 5104 can define an interior region 5108 of the commercial building 5100. Within the interior region 5108, the commercial building 5100 can include a first building bathroom 5110 (e.g., a men's bathroom), a second building bathroom 5112 (e.g., a women's bathroom), and a utility room 5114. The commercial building 5100 can further include interior doors 5116 (individually identified as interior doors 5116a-5116c) opening into the first building bathroom 5110, the second building bathroom 5112, and the utility room 5114, respectively.

[0389] The exterior wall 5104a can be between the interior region 5108 and a first outdoor area 5118 that includes a sidewalk 5120 and a street 5122. At the exterior wall 5104a, the commercial building 5100 can include a storefront 5124 between the interior region 5108 and the first outdoor area 5118. The exterior wall 5104c can be between the interior region 5108 and a second outdoor area 5126 that includes a yard 5128 and an alley 5130. At the exterior wall 5104c, the

commercial building 5100 can include a back door 5132 and an opening 5134 between the interior region 5108 and the second outdoor area 5126. In at least some cases, the yard 5128 is paved and/or otherwise configured to facilitate automobile parking. Although the exterior wall 5104c in the illustrated embodiment is a back wall, in other embodiments a counterpart of the exterior wall 5104c can be a side wall. With reference again to FIGS. 126 and 127, the opening 5134 can be sized to permit loading of large items into the commercial building 5100 and/or passage of an automobile between the interior region 5108 and the second outdoor area 5126. For example, the opening 5134 can have a width within a range from 2 to 7 meters (e.g., from 4 to 6 meters). The commercial building 5100 can further include an overhead door 5136 (e.g., a door that moves upward to open and stows overhead in a rolled or unrolled state) movably disposed at the opening 5134.

[0390] The commercial building 5100 can include an interior space 5138 near the opening 5134, and another interior space 5140 between the interior space 5138 and the storefront 5124. The interior spaces 5138, 5140 can be constituents of the interior region 5108, and can be physically divided from one another or undivided. For simplicity of illustration, interior walls, doorways, fixtures, and furnishings within the interior region 5108 are not shown. The interior spaces 5138, 5140 can be at a ground floor of the commercial building 5100. In some cases, the interior spaces 5138, 5140 have different purpose-built uses. For example, the interior space 5138 can be a purpose-built loading, storage, parking, and/or vehicle-servicing space, while the interior space 5140 is a purpose-built office, retail, and/or restaurant space. In other cases, the interior spaces 5138, 5140 can have the same purpose-built use. For example, the entire commercial building 5100 can be a purpose-built warehouse. In FIG. 127, the interior space 5138 is shown in a first state, which can be an original, pre-retrofit, or similar state.

[0391] As shown in FIG. 127, the first and second building bathrooms 5110, 5112 can include respective toilets 5142 and respective sinks 5144. The commercial building 5100 can include a plumbing drain trunk line 5146 and a water supply trunk line 5148 operably associated with the first and second building bathrooms 5110, 5112. The plumbing drain trunk line 5146 can follow a drainage route from the first and second building bathrooms 5110, 5112 toward a sewage destination (e.g., a municipal sewer) (not shown). Similarly, the water supply trunk line 5148 can follow a supply route from a water source (e.g., a municipal water source) (not shown) toward the first and second building bathrooms 5110, 5112. The plumbing drain trunk line 5146 can be below-ground, such as positioned below a ground surface outside the commercial building 5100 along the drainage route. In addition or alternatively, the plumbing drain trunk line 5146 can be below-floor, such as positioned below a finished floor surface of the commercial building 5100 along the drainage route. Similarly, the water supply trunk line 5148 can be below-ground, such as positioned below a ground surface outside the commercial building 5100 along the supply route. In addition or alternatively, the water supply trunk line 5148 can be below-floor, such as positioned below a finished floor surface of the commercial building 5100 along the supply route.

[0392] The plumbing drain trunk line 5146 and/or the water supply trunk line 5148 can be buried or otherwise

permanently installed within a basement, a crawlspace, a chase, a foundation, a volume of dirt, or another suitable environment directly below the first and second building bathrooms 5110, 5112 and/or directly below an area around the first and second building bathrooms 5110, 5112. Furthermore, the plumbing drain trunk line 5146 can be sloped to convey liquid waste (e.g., sewage) from the first and second building bathrooms 5110, 5112 toward the sewage destination at least partially by gravity. The water supply trunk line 5148 can be configured to convey potable water from the water source to the first and second building bathrooms 5110, 5112 under pressure. In at least some cases, the commercial building 5100 includes a building water heater 5150 operably associated with the water supply trunk line 5148. In these cases, the water supply trunk line 5148 can bifurcate into branches (not shown) that supply cold and hot water, respectively, to the first and second building bathrooms 5110, 5112, such as at the sinks 5144. The building water heater 5150 can be operably associated with a branch of the water supply trunk line 5148 that supplies hot water to the first and second building bathrooms 5110, 5112. As shown in FIG. 127, the building water heater 5150 can be disposed within the utility room 5114. The commercial building 5100 can include a furnace 5152 and an electrical panel 5154 also disposed within the utility room 5114. The commercial building 5100 can further include a main electrical supply line 5156 through which the electrical panel 5154 is operably connected to an electrical source (e.g., a municipal power source) (not shown). Electrical lines and fixtures downstream from the electrical panel 5154 are omitted for clarity of illustration.

[0393] FIG. 128 is an enlarged view of a portion of FIG. 127. As shown in FIG. 128, the commercial building 5100 can include a door track 5158 at the opening 5134. The overhead door 5136 can be operably connected to the door track 5158. The commercial building 5100 can further include a hose bibb 5160 at an exterior side of the exterior wall 5104c. Although the commercial building 5100 in the illustrated embodiment is a stand-alone commercial storefront building, it should be understood that, in other embodiments, another type of commercial building (e.g., a warehouse, a distribution center, a strip mall, a manufacturing facility, a mini-storage facility, an office building, a vehicle-servicing station, etc.) can be substituted for the commercial building 5100. Furthermore, although the commercial building 5100 in the illustrated embodiment includes only one opening 5134 at a back wall, in other embodiments, a counterpart of the commercial building 5100 can include multiple openings at back and/or side walls. In these other embodiments, one, some, or all of these openings can be retrofitted as described below with respect to the opening 5134.

[0394] FIG. 129 is a cross-sectional top plan view of a portion of the commercial building 5100 corresponding to the portion of FIG. 127 shown in FIG. 128 and showing a real estate unit 5162 in accordance with an embodiment of the present technology. The real estate unit 5162 can include the interior space 5138 retrofitted (e.g., at least substantially reversibly retrofitted) for an alternative use. In FIG. 129, the interior space 5138 is shown in a second state, which can be a non-original, post-retrofit, or similar state. In the illustrated embodiment, the interior space 5138 is retrofitted for lodging and/or residential use. In other embodiments, the interior space 5138 can be retrofitted for another suitable alternative

use, such as office, and/or assembly use in addition to or instead of lodging and/or residential use. With reference again to FIG. 129, the first outdoor area 5118 can be retrofitted (e.g., at least substantially reversibly retrofitted) for courtyard use and/or another suitable use ancillary to the alternative use of the interior space 5138. The retrofitting of the interior space 5138 and the first outdoor area 5118 can occur well after (e.g., at least 20 years after) the commercial building was originally constructed.

[0395] The real estate unit 5162 can include a variety of retrofits (e.g., at least substantially reversible retrofits) to the commercial building 5100 that change at least a portion of the commercial building 5100 from being well suited a purpose-built use to being well suited for an alternative use. In at least some cases, reversal of all or a portion of these retrofits returns the portion of the commercial building 5100 from being well suited for the alternative use to again being well suited for the purpose-built use. Examples of reversible retrofits include removing, installing, and relocating furniture and fixtures with little or no associated demolition of the exterior and interior walls 5104, 5106 or other permanent fabric of the commercial building 5100. The interior space 5138 and other suitable portions of the commercial building 5100 can be at least substantially reversibly retrofitted to accommodate the real estate unit 5162. For example, a total cost of reversible retrofits to the commercial building 5100 (e.g., a present value of at least substantially reversibly installed reusable components of the real estate unit 5162) for a given transformation of the interior space 5138 from being well suited for a purpose-built use to being well suited for an alternative use can be greater (e.g., at least 50% greater or at least 100% greater) than a total cost of permanent retrofits to the commercial building 5100 (e.g. modifications to the permanent fabric of the commercial building 5100) for the given transformation. Capital associated with the alternative use can be readily re-deployable after the alternative use becomes inactive. In some cases, the alternative use and the real estate unit 5162 are active for one year or less (e.g., six months or less) between successive transformations. In other cases, the alternative use and the real estate unit 5162 can have longer durations or even be permanent.

[0396] As shown in FIG. 129, the real estate unit 5162 can include a bathroom 5164 disposed (e.g., removably disposed) within the commercial building 5100. The bathroom 5164 can include a sink 5166, a toilet 5168, and a bath/shower 5170. In at least some embodiments, the bathroom 5164 is reusable and removably disposed within the commercial building 5100. For example, unlike a conventional bathroom that can only be installed by heavy construction and removed by heavy demolition, the bathroom 5164 can be configured to be installed with little or no need for heavy construction and removed with little or no need for heavy demolition. Furthermore, the bathroom 5164 can be configured to be conveniently transported and reused after its removal. In the illustrated embodiment, the bathroom 5164 is an assembly of reusable bathroom modules configured for rapid deployment into and removal from the commercial building 5100 in an at least partially disassembled state. For example, the bathroom 5164 can be made up mostly or entirely of reusable modular components. In other embodiments, a counterpart of the bathroom 5164 can be portable and configured for rapid deployment into and removal from the commercial building 5100 without significant disassem-



bly. This deployment and removal can occur by forklift, by dolly, by operation of wheels integrated into the counterpart of the bathroom 5164, or in another manner. In still other embodiments, a counterpart of the bathroom 5164 can have other forms.

[0397] The real estate unit 5162 can further include a barrier 5172 disposed between the interior space 5138 and the second outdoor area 5126. For example, a primary egress path from the interior space 5138 to the second outdoor area 5126 can extend through the opening 5134 and through the barrier 5172. Furthermore, the barrier 5172 can be stationary disposed between the interior space 5138 and the second outdoor area 5126. For example, unlike the overhead door 5136, which is configured to move on a regular basis during normal operation of the interior space 5138 in the first state, the barrier 5172 can be configured to remain at least substantially stationary during normal operation of the real estate unit 5162. The barrier 5172 can be fenestrated and can include windows 5174 that allow natural light to enter the interior space 5140 from the second outdoor area 5126. The barrier 5172 can further include a door 5176. In at least some embodiments, the barrier 5172 is foldable to facilitate its transport and storage when not in use. For example, the barrier 5172 can be foldable along vertical seams (not shown) between neighboring windows 5174 and/or between the door 5176 and windows 5174 neighboring the door 5176.

[0398] The barrier 5172 can be reusable and removably disposed between the interior space 5138 and the second outdoor area 5126. For example, the barrier 5172 can be configured to be installed with little or no need for heavy construction and removed with little or no need for heavy demolition. Furthermore, the barrier 5172 can be configured to be conveniently transported and reused after its removal. In the illustrated embodiment, the barrier 5172 is rigid, portable and configured for rapid deployment into and removal from operable association with the interior space 5138 without significant disassembly. This deployment and removal can occur by forklift, by dolly, by operation of wheels (not shown) integrated into the barrier 5172, or in another manner. In other embodiments, a counterpart of the barrier 5172 can be an assembly of reusable barrier modules configured for rapid deployment into and removal from between the interior space 5138 and the second outdoor area 5126 in an at least partially disassembled state. For example, a counterpart of the barrier 5172 can be made up mostly or entirely of reusable modular components.

[0399] With reference again to FIG. 129, the real estate unit 5162 can include a courtyard 5178 at the second outdoor area 5126. For example, the real estate unit 5162 can include an exterior enclosure 5180 at least partially defining the courtyard 5178. In the illustrated embodiment, the courtyard 5178 is open air. In other embodiments, all or a portion of a counterpart of the courtyard 5178 can have a roof (e.g., to define a solarium). As shown in FIG. 129, the exterior enclosure 5180 can include exterior wall components 5182 and a gate 5183 disposed at a perimeter portion of the courtyard 5178. The exterior wall components 5182, the gate 5183, and/or other suitable components of the exterior enclosure 5180 can be reusable and removably disposed at the perimeter portion of the courtyard 5178. For example, the exterior enclosure 5180 can be made up mostly or entirely of reusable modular components. As discussed in further detail below, the exterior wall components 5182 can

be stacked and/or interlocking within the exterior enclosure 5180. Furthermore, the exterior wall components 5182 can be planters that support vegetation 5184. For example, the exterior wall components 5182 can internally support a root system (not shown) of the vegetation 5184. Thus, the exterior enclosure 5180 can include living walls.

[0400] The real estate unit 5162 can further include a compartmentalizing assembly 5185. The interior space 5138 can be within a compartment 5186 at least partially defined by the compartmentalizing assembly 5185. In the illustrated embodiment, the real estate unit 5162 and the compartment 5186 encompass no more than 30% of a total floor area of a ground floor of the commercial building 5100. In other embodiments, counterparts of the real estate unit 5162 and the compartment 5186 can be larger, such as encompassing 30% to 50% or encompassing 50% to 100% of a total floor area of a ground floor of a counterpart of the commercial building 5100. As shown in FIG. 129, the compartmentalizing assembly 5185 can include interior wall components 5187 disposed at a perimeter portion of the compartment 5186. The interior wall components 5187 and/or other suitable components of the compartmentalizing assembly 5185 can be reusable and removably disposed within the commercial building 5100. For example, the compartmentalizing assembly 5185 can be made up mostly or entirely of reusable modular components. As discussed in further detail below, the interior wall components 5187 can be stacked and/or interlocking within the compartmentalizing assembly 5185.

[0401] In the illustrated embodiment, the real estate unit 5162 is configured to be mostly off-grid (i.e., independent of service connections to local utilities). For example, the real estate unit 5162 can be configured to operate at least substantially off-grid with respect to an overall electrical supply to the interior space 5138, with respect to disposal of blackwater (e.g., wastewater from the toilet 5168), and/or in other respects. This feature of the real estate unit 5162 can be useful, for example, to avoid costs and complications associated with utility hookups, to reduce the environmental impact of the real estate unit 5162, to facilitate efficient management of the real estate unit 5162, to reduce costs associated with maintaining the real estate unit 5162 during periods of nonuse or low use, and/or for other reasons. In other embodiments, a counterpart of the real estate unit 5162 can be mostly or entirely on-grid (i.e., dependent on service connections to local utilities).

[0402] As shown in FIG. 129, the real estate unit 5162 can include a dock 5188 disposed (e.g., removably disposed) outside the interior space 5138. The dock 5188 can be above-ground (as illustrated) or below-ground (e.g., disposed within a pit). At the dock 5188, the real estate unit 5162 can include a heat pump 5190, an exhaust filter 5192, a blackwater tank 5194, a water reservoir 5196, a water heater 5198, a greywater filter 5200, a wireless router 5202, a battery 5204, a trash bin 5206, a recycling bin 5208, and a laundry bin 5210. The water reservoir 5196 can be operably connected to the hose bibb 5160 and can be configured to increase a capacity of the hose bibb 5160 to supply water to the bathroom 5164, such as by attenuating spikes in demand for water from the bathroom 5164. In the illustrated embodiment, the real estate unit 5162 is configured to separately manage removal and disposal of blackwater (e.g., wastewater from the toilet 5168) and greywater (e.g., wastewater from the sink 5166 and the bath/shower

5170). In other embodiments, a counterpart of the real estate unit 5162 can be configured to collectively manage removal and disposal of blackwater and greywater. Accordingly, the blackwater tank 5194 can be more generally referred to as a sewage tank indicating that it can be configured to receive primarily blackwater, primarily greywater, or both blackwater and greywater.

[0403] With reference again to FIG. 129, the exhaust filter 5192, the blackwater tank 5194, the battery 5204, the trash bin 5206, the recycling bin 5208, and the laundry bin 5210 can be removably connected to the dock 5188 or otherwise removably disposed outside the interior space 5138. Furthermore, these components can be reusable. In the illustrated embodiment, the real estate unit 5162 is configured to operate on-grid with respect to a water supply to the real estate unit 5162 (e.g., because the water reservoir 5196 is operably connected, for replenishment, to the water supply trunk line 5148 via the hose bibb 5160), configured to be off-grid with respect to an electrical supply to the real estate unit 5162, and configured to be off-grid with respect to disposal of blackwater from the toilet 5168. In other embodiments, a counterpart of the real estate unit 5162 can be off-grid with respect to its water supply (e.g., because a counterpart of the water reservoir 5196 is configured to be independently refilled or swapped), on-grid with respect to its electrical supply (e.g. because a counterpart of the battery 5204 is operably connected, for recharging, to a counterpart of the electrical panel 5154), and/or on-grid with respect to its sewage disposal (e.g. because a counterpart of the blackwater tank 5194 is operably connected (e.g., for draining) to a counterpart of the plumbing drain trunk line 5146).

[0404] The real estate unit 5162 can be configured to receive occasional servicing. This servicing can include collecting backwater, trash, recyclables, and laundry (e.g., for cleaning and return) from the blackwater tank 5194, the trash bin 5206, the recycling bin 5208, and the laundry bin 5210, respectively. The servicing can also include recharging the battery 5204. In at least some cases, the blackwater tank 5194 is configured to be pumped out in situ and/or swapped for removal of blackwater from the real estate unit 5162. Similarly, the battery 5204 can be configured to be recharged in situ and/or swapped for at least partial replenishment of an electrical supply to the real estate unit 5162. A less-full replacement for the blackwater tank 5194, a more-fully-charged replacement for the battery 5204, and/or other suitable replacements for components of the real estate unit 5162 can be delivered to the real estate unit 5162 by truck or in another manner. The replaced components can be collected in the same or a different manner and transported to a central location (e.g., a station or substation; not shown) where the components can be efficiently processed (e.g., emptied, cleaned, recharged, etc.) for reuse. This delivery and collection can occur on a regular schedule (e.g., daily, every-other-day, etc.), as needed, and/or on demand.

[0405] As shown in FIG. 129, the dock 5188 can include sensors 5212 (individually identified as sensors 5212a-5212f) operably connected to the blackwater tank 5194, the water reservoir 5196, the battery 5204, the trash bin 5206, the recycling bin 5208, and the laundry bin 5210, respectively. The sensors 5212 can be wirelessly connected to a remote server 5214 via the router 5202 and a network 5216 (e.g., the Internet). The server 5214 can include software that automatically processes data from the sensors 5212 to determine when servicing of the real estate unit 5162 is

required. For example, data from the sensor 5212a may indicate that the blackwater tank 5194 is at 75% of capacity and needs to be drained or swapped promptly. As another example, data from the sensor 5212b may indicate that the water reservoir 5196 is being depleted faster than it can be replenished via the hose bibb 5160 and, therefore, needs to be independently replenished promptly. As yet another example, data from the sensor 5212c may indicate that the battery 5204 is at 25% of capacity and needs to be recharged or swapped promptly. Over time, aggregate data from the sensors 5212 can be analyzed to establish default servicing intervals for the real estate unit 5162. In addition or alternatively, data from the sensors 5212 can be used to calculate utility usage for the real estate unit 5162 for purposes of environmental reporting and/or billing a renter of the real estate unit 5162. The sensors 5212a-5212f can be of suitable respective types for monitoring the corresponding components of the real estate unit 5162. For example, the sensors 5212a, 5212b, 5212d-5212f can be weight sensors, level sensors, or other types of sensors configured to measure fullness levels of the blackwater tank 5194, the water reservoir 5196, the trash bin 5206, the recycling bin 5208, and the laundry bin 5210, respectively. As another example, the sensor 5212c can be a charge meter or another type of sensor configured to measure a charge of the battery 5204.

[0406] The real estate unit 5162 can include suitable utility lines and other connections that extend from components of the real estate unit 5162 within the interior space 5138 to components of the real estate unit 5162 or other structures outside of the interior space 5138. For example, the real estate unit 5162 can include a heater/cooler 5218 within the interior space 5138, and the real estate unit 5162 can further include refrigerant lines 5220 extending between the heater/cooler 5218 and the heat pump 5190. Similarly, the real estate unit 5162 can include an electrical outlet 5222 serving the interior space 5138, and the real estate unit 5162 can further include an electrical line 5224 extending between the electrical outlet 5222 and the battery 5204. The battery 5204, therefore, can be configured to power an appliance (not shown) within the interior space 5138 via the electrical outlet 5222 and the electrical line 5224. As additional examples of suitable utility lines, the real estate unit 5162 can include a blackwater drain line 5226 extending between the bathroom 5164 and the blackwater tank 5194, a cold water supply line 5228 extending between the bathroom 5164 and the water reservoir 5196, a hot water supply line 5230 extending between the bathroom 5164 and the water heater 5198, a greywater drain line 5232 extending between the bathroom 5164 and the greywater filter 5200, a plumbing ventilation line 5234 extending between the bathroom 5164 and the exhaust filter 5192, and an exhaust line 5236 also extending between the bathroom 5164 and the exhaust filter 5192. The blackwater drain line 5226 and the greywater drain line 5232 can be sloped to convey liquid waste from the bathroom 5164 toward the blackwater tank 5194 and the greywater filter 5200, respectively, at least partially by gravity. To facilitate this sloping and/or for other reasons, the bathroom 5164 can have a floor level at least 0.5 meter (e.g., at least 1 meter) higher than an underlying floor level of the interior space 5138. In the illustrated embodiment, the blackwater drain line 5226 and the greywater drain line 5232 are separate. In other embodiments, a counterpart of the real estate unit 5162 can include combined blackwater and greywater lines. Accordingly, the blackwater drain line 5226

and the greywater drain line 5232 can be more generally referred to as plumbing drain lines indicating that they can be configured to convey primarily blackwater, primarily greywater, or both blackwater and greywater.

[0407] The real estate unit 5162 can further include a trash hatch 5238, a recycling hatch 5240, and a laundry hatch 5242 within the interior space 5138. The real estate unit 5162 can also include a trash chute 5244 extending between the trash hatch 5238 and the trash bin 5206, a recycling chute 5246 extending between the recycling hatch 5240 and the recycling bin 5208, and a laundry chute 5248 extending between the laundry hatch 5242 and the laundry bin 5210. The refrigerant lines 5220, electrical line 5224, blackwater drain line 5226, cold water supply line 5228, hot water supply line 5230, greywater drain line 5232, plumbing ventilation line 5234, exhaust line 5236, trash chute 5244, recycling chute 5246, and laundry chute 5248 can extend through the exterior wall 5104c. For example, some or all of these lines and chutes can extend through retrofitted openings in the exterior wall 5104c. In at least some embodiments, these openings are readily patchable to facilitate returning the interior space 5138 to its purpose-built use if the real estate unit 5162 is decommissioned. The lines and chutes can be removably disposed inside and/or outside the interior space 5138. For example, the lines and chutes can be temporary and configured for reuse or disposal upon decommissioning of the real estate unit 5162. In at least some embodiments, the blackwater drain line 5226 and the greywater drain line 5232 extend above-floor and then above-ground from the bathroom 5164 toward the blackwater tank 5194 and the greywater filter 5200, respectively.

[0408] The dock 5188 can include additional lines, connections, and other suitable components associated with the components of the real estate unit 5162 at the dock 5188. For example, the dock 5188 can include a housing 5250 that provides security and protection from weather to components of the real estate unit 5162 at the dock 5188. The housing 5250 can include a lid (not shown) configured to be open when the real estate unit 5162 is being serviced and closed and locked when the real estate unit 5162 is not being serviced. In at least some embodiments, the lid includes solar panels (also not shown) operably connected to the battery 5204. The dock 5188 can further include couplings along some or all of the lines and chutes described above. These couplings can separate portions of the lines and chutes within the housing 5250 from portions of the lines and chutes outside the housing 5250. Thus, by operation of these couplings, the dock 5188 can be transportable as a unit with little or no need to modify internal portions of the dock 5188 in the field. For example, the dock 5188 can be pre-manufactured with the internal components shown in FIG. 129, installed at the location shown in FIG. 129, and then connected up to portions of the associated lines and chutes outside of the housing 5250.

[0409] The dock 5188 can further include couplings that facilitate convenient removal and replacement (e.g., swapping) of the blackwater tank 5194, the battery 5204, the trash bin 5206, the recycling bin 5208, and the laundry bin 5210. For example, the dock 5188 can include a blackwater drain quick-connect coupling 5252 through which the blackwater tank 5194 is fluidically connected to the dock 5188, the blackwater drain line 5226, and the bathroom 5164. In at least some embodiments, the blackwater drain quick-connect coupling 5252 includes a check valve. Similarly, the

dock 5188 can include an electrical quick-connect coupling 5254 through which the battery 5204 is electrically connected to the dock 5188, the electrical line 5224, and the electrical outlet 5222. The dock 5188 can also include a floor 5256 having pads 5258 (individually identified as pads 5258a-5258e) that facilitate convenient registration of the blackwater tank 5194, the battery 5204, the trash bin 5206, the recycling bin 5208, and the laundry bin 5210 with the blackwater drain quick-connect coupling 5252, the electrical quick-connect coupling 5254, the trash chute 5244, the recycling chute 5246, and the laundry chute 5248, respectively. For example, the pads 5258a-5258e can be insets in the floor 5256 that snugly receive corresponding lower portions of the blackwater tank 5194, the battery 5204, the trash bin 5206, the recycling bin 5208, and the laundry bin 5210, respectively.

[0410] As shown in FIG. 129, the dock 5188 can include a potable water inlet 5260 and a greywater outlet 5262. The real estate unit 5162 can include a first hose 5264 extending between the hose bibb 5160 and the potable water inlet 5260. The real estate unit 5162 can further include a second hose 5266 extending between the greywater outlet 5262 and a greywater inlet 5268 of the exterior enclosure 5180. Filtered greywater can be distributed to support the vegetation 5184 via an internal distribution system (e.g., a network of hoses; not shown) of the exterior enclosure 5180. The dock 5188 can include internal plumbing (e.g., under the floor 5256; not shown) fluidically connecting the water reservoir 5196 and the potable water inlet 5260, and fluidically connecting the greywater filter 5200 and the greywater outlet 5262. In at least some embodiments, this internal plumbing includes a pump (not shown). The dock 5188 can further include an exhaust output fan 5270 and an internal duct 5272 extending between the exhaust output fan 5270 and the exhaust filter 5192. The dock 5188 can also include an inverter 5274 operably connected to the electrical line 5224.

[0411] The real estate unit 5162 can be furnished or otherwise outfitted with suitable furnishings, fixtures, accessories, etc. to accommodate its alternative use. In the illustrated embodiment, the real estate unit 5162 is a lodging and/or residential unit with suitable furnishings, fixtures, accessories, etc. within the interior space 5138 to accommodate lodging and/or residential use of the interior space 5138. These furnishings, fixtures, accessories, etc. can include a bed 5276, a side table 5278, shelving units 5280 (individually identified as shelving units 5280a, 5280b), a writing table 5282, a chair 5284, a sofa 5286, a coffee table 5288, a television 5290, a kitchenette 5292, a refrigerator 5294, and a set of step stairs 5296. The kitchenette 5292 and the set of step stairs 5296 can be operably associated with the bathroom 5164. The real estate unit 5162 can further include a closet 5298 disposed (e.g., removably disposed) within the interior space 5138. In other embodiments, a counterpart of the real estate unit 5162 can include other suitable furnishings, fixtures, accessories, etc. As described in further detail below, real estate units in accordance with other embodiments of the present technology can be rentable office units, rentable assembly units, and/or have other suitable primarily uses in addition to or instead of lodging and/or residential uses. Furthermore, rentable real estate units in accordance with embodiments of the present technology can be directly rentable, rentable via a membership system (e.g., in a member-based network of real estate

units), rentable under short-term use arrangements (e.g., lodging arrangements), and/or rentable in another manner.

[0412] FIG. 130 is an enlarged view of a first portion of FIG. 129 showing the barrier 5172. FIGS. 131 and 132 are, respectively, a cross-sectional exterior side profile view and a cross-sectional interior side profile view of a portion of the real estate unit 5162 corresponding to the first portion of FIG. 129 shown in FIG. 130. With reference to FIGS. 129-132 together, the real estate unit 5162 can include a first mass of self-leveling material 5300 (e.g., a first disposable mass of hardened self-leveling grout) underlying the barrier 5172. The first mass of self-leveling material 5300 can be molded and, in at least some cases, is integrally formed along most or all of an overall footprint of the barrier 5172. During formation of the first mass of self-leveling material 5300, the constituent self-leveling material can be of sufficiently low viscosity to level itself by gravity. Thus, the first mass of self-leveling material 5300 can automatically conform to slopes, dips, and/or other irregularities in a ground surface at which the barrier 5172 is installed.

[0413] In at least some embodiments, the second outdoor area 5126 has a paved surface 5301 that is not level. The real estate unit 5162 can include a second mass of self-leveling material 5302 (e.g., a second disposable mass of hardened self-leveling grout) underlying the exterior wall components 5182. Similar to the first mass of self-leveling material 5300, the second mass of self-leveling material 5302 can be molded and, in at least some cases, is integrally formed along most or all of an overall footprint of the exterior enclosure 5180. During formation of the second mass of self-leveling material 5302, the constituent self-leveling material can be of sufficiently low viscosity to level itself by gravity. Thus, the second mass of self-leveling material 5302 can automatically conform to slopes, dips, and/or other irregularities in the paved surface 5301. When at least partially cured, the second mass of self-leveling material 5302 can provide the exterior enclosure 5180 with a reliably level surface that facilitates vertical stacking of the exterior wall components 5182.

[0414] As shown in FIG. 131, the exterior enclosure 5180 can include base blocks 5304 between the second mass of self-leveling material 5302 and the lowermost row of the exterior wall components 5182. The exterior wall components 5182 can be hollow and can contain planting medium 5306. The base blocks 5304 can also be hollow and can contain antimicrobial medium 5308. The exterior enclosure 5180 can further include a soaker hose 5309 that receives filtered greywater from the second hose 5266. In the illustrated embodiment, the soaker hose 5309 is loosely disposed in a serpentine manner at an upper portion of an uppermost row of the exterior wall components 5182 within the exterior enclosure 5180. The soaker hose 5309 can distribute filtered greywater throughout the planting medium 5306 at the uppermost row of the exterior wall components 5182. Once the planting medium 5306 at the uppermost row of the exterior wall components 5182 is saturated, the filtered greywater can move by gravity and/or capillary action to the planting medium 5306 at a second-to-uppermost row of the exterior wall components 5182 within the exterior enclosure 5180. This process can continue until the filtered greywater reaches the antimicrobial medium 5308. The antimicrobial medium 5308 can be a synthetic sponge or other suitable substrate that reduces or eliminates pooling of the excess filtered greywater within the base blocks 5304. Excess

filtered greywater within the antimicrobial medium 5308 can drain from the base blocks 5304 onto the paved surface 5301 and along the paved surface 5301 to a storm drain (not shown). In other embodiments, the filtered greywater can be distributed through the exterior enclosure 5180 in another manner. For example, a counterpart of the exterior enclosure 5180 can include separate soaker hoses at respective rows of counterparts of the exterior wall components 5182. These soaker hoses can be connected to a counterpart of the second hose 5266 via a manifold. In still other embodiments, a counterpart of the exterior enclosure 5180 can have an irrigation system that uses freshwater instead of filtered greywater, or no irrigation system at all.

[0415] With reference again to FIGS. 129-132 together, the barrier 5172 can include a frame 5310, hinges 5312 operably connecting the door 5176 and the frame 5310 to one another, and a handle 5314 that facilitates operation of the door 5176 from outside the interior space 5138. The barrier 5172 can further include a smart lock 5316 configured to allow a renter of the real estate unit 5162 to unlock the door 5176 by operation of a mobile device (e.g. a mobile phone), by entering a passcode, by providing a biometric identification (e.g., a fingerprint), or in another manner. The barrier 5172 can be removably fastened to the exterior wall 5104c. In the illustrated embodiment, the barrier 5172 is removably bolted to the exterior wall 5104c. In other embodiments, a counterpart of the barrier 5172 can be removably screwed to the exterior wall 5104c, removably clamped to the exterior wall 5104c, and/or removably fastened to the exterior wall 5104c in another manner in addition to or instead of being removably bolted to the exterior wall 5104c. In still other embodiments, a counterpart of the barrier 5172 can be permanently installed at the exterior wall 5104c.

[0416] With reference again to FIGS. 129-132, the barrier 5172 can include a gasket 5318 disposed between the frame 5310 and the exterior wall 5104c. The gasket 5318 can be compressible such that it conforms to irregularities in the exterior wall 5104c and thereby enhances a weather resistance of a connection between the barrier 5172 and the exterior wall 5104c. The barrier 5172 can further include bolts 5320 that extend through the frame 5310, through the gasket 5318, and through the exterior wall 5104c. At an inside surface of the exterior wall 5104c, the barrier 5172 can include furring strips 5322 through which the bolts 5320 also extend, and nuts 5324 operably connected to the bolts 5320 and bearing on the furring strips 5322. In the illustrated embodiment, the barrier 5172 is an overlay that covers the opening 5134 at an exterior side of the exterior wall 5104c. In other embodiments, the barrier 5172 can have another form and/or position relative to the opening 5134. For example, rather than being disposed at the exterior side of the exterior wall 5104c, a counterpart of the barrier 5172 can be disposed at an interior side of the exterior wall 5104c.

[0417] As shown in FIG. 132, in the illustrated embodiment, the overhead door 5136 is stowed within the interior space 5138 in an open state. For example, the door track 5158 can remain in place after the interior space 5138 is retrofitted for an alternative use. A motor (not shown) operably connected to the overhead door 5136 can be temporarily disabled so that the overhead door 5136 remains out-of-service during operation of the real estate unit 5162. Leaving the overhead door 5136 and the door track 5158 in place after the interior space 5138 is retrofitted for an

alternative use can be useful, for example, to reduce an investment necessary to return the interior space **5138** its purpose-built use, as needed. In other embodiments, the overhead door **5136** can be removed from the interior space **5138** when the interior space **5138** is retrofitted for an alternative use. In still other embodiments, a counterpart of the overhead door **5136** can be retrofitted with windows and/or a doorway. In these embodiments, the counterpart of the overhead door **5136** can take the place of the barrier **5172**.

[0418] FIG. 133 is a cross-sectional top plan view of a portion of a real estate unit in accordance with another embodiment of the present technology corresponding to the first portion of FIG. 129 shown in FIG. 130. The real estate unit shown in FIG. 133 includes a barrier **5350**. In contrast to the barrier **5172** shown in FIGS. 129-132, the barrier **5350** is an insert rather than an overlay. For example, the barrier **5350** can be disposed within the opening **5134** rather than at an exterior or interior side of the exterior wall **5104c**. As shown in FIG. 133, the barrier **5350** can include a frame **5352** that is narrower than the opening **5134**. The barrier **5350** can further include a gasket **5354** disposed between the frame **5352** and sidewalls of the opening **5134**. The barrier **5350** can also include screws **5356** extending laterally into portions of the exterior wall **5104c** on opposite sides of the opening **5134**. The gasket **5354** can be layered to compensate for a difference between a width of the frame **5352** and a width of the opening **5134**, such as when the barrier **5350** is a standard size and the opening **5134** is a non-standard size. Although not adaptable to as wide a range of opening widths as the barrier **5172** described above, the barrier **5350** may be preferred over the barrier **5172** in some cases for aesthetic or other reasons.

[0419] FIG. 134 is an enlarged view of a second portion of FIG. 129 showing a portion of the exterior enclosure **5180**. FIGS. 135 and 136 are cross-sectional exterior side profile views of a portion of the real estate unit **5162** corresponding to the second portion of FIG. 129 shown in FIG. 134 with the vegetation **5184** shown and not shown, respectively. FIG. 12 is an enlarged view of a portion of FIG. 136. With reference to FIGS. 129-132 and 134-137 together, the exterior enclosure **5180** can include staggered rows of the exterior wall components **5182**. For example, the exterior wall components **5182** at a corner of the exterior enclosure **5180** distant from the exterior wall **5104c** can alternate row-to-row between larger and smaller L-shapes. Similarly, the exterior wall components **5182** at a portion of the exterior enclosure **5180** closest to the exterior wall **5104c** and at a portion of the exterior enclosure **5180** closest to the neighboring commercial building **5101b** can alternate row-to-row between larger and smaller rectangular shapes. Elsewhere within the exterior enclosure **5180**, the exterior wall components **5182** can have the larger rectangular shape.

[0420] The overall exterior enclosure **5180** can be at least substantially self-supporting and/or at least substantially free-standing. As shown in FIG. 137, the exterior wall components **5182** can be stacked within the exterior enclosure **5180**. Furthermore, the exterior wall components **5182** can be interlocking within the exterior enclosure **5180**. For example, the individual exterior wall components **5182** can include downwardly extending flanges **5400** that are received within successively lower exterior wall components **5182**. The base blocks **5304** can be configured to receive the flanges **5400** of the exterior wall components

**5182** within a lowest row of exterior wall components **5182** within the exterior enclosure **5180**. As discussed above, the exterior wall components **5182** can be planters. In at least some embodiments, the exterior wall components **5182** include apertures **5402** through which the vegetation **5184** grows outwardly from roots (not shown) within the exterior wall components **5182**. The apertures **5402** can be large enough to allow passage of bulbs, cuttings, seedlings, etc. (not just seeds) into the planting medium **5306** after the exterior enclosure **5180** is assembled. For example, the individual apertures **5402** can have a width greater than 2 centimeters, such as a width within a range from 2 to 8 centimeters. As discussed above, the exterior enclosure **5180** can be configured to facilitate distribution of filtered greywater throughout the planting medium **5306**. The base blocks **5304** can include holes **5406** through which excess filtered greywater exits the exterior enclosure **5180**.

[0421] As shown in FIG. 135, the apertures **5402** can be differentially planted to form a brand identifier **5404** (e.g., a trade and/or service mark) or other design at an exterior side (e.g., an alley-facing side) of the exterior enclosure **5180**. Differential planting can include selectively planting the apertures **5402** with multiple types of plants and/or selectively planting and not planting the apertures **5402** with a single type of plant. For example, the non-planted apertures **5402** can be capped. Forming a brand identifier **5404** by differential planting can be useful to balance aesthetic considerations with the need for clear communication of a brand associated with the real estate unit **5162** to consumers. The apertures **5402** can collectively form an array that facilitates forming the brand identifier **5404** in a consistent manner when the real estate unit **5162** is one of many real estate units for which the brand identifier **5404** is applicable. For example, a given aperture **5402** can be planted with a predetermined plant depending on its position within the array according to a reproducible plan. A template (not shown) can be temporarily placed over the exterior side of the exterior enclosure **5180** and registered to the array to facilitate rapid execution of the plan with little or no need for customized execution of the plan in the field. Furthermore, using relatively large and/or more mature plantings can allow the vegetation **5184** to be formed more efficiently and/or with less lead time than would be the case using seeds.

[0422] FIG. 138 is side profile view of a given one of the exterior wall components **5182** separate from other portions of the exterior enclosure **5180**. FIG. 139 is a cross-sectional top plan view of the given exterior wall component **5182** taken along the line 139-139 in FIG. 138. FIG. 140 is a cross-sectional bottom plan view of the given exterior wall component **5182** taken along the line 140-140 in FIG. 138. FIG. 141 is a cross-sectional end plan view of the given exterior wall component **5182** taken along the line 141-141 in FIG. 138. FIG. 142 is an enlarged view of a portion of FIG. 141. The given exterior wall component **5182** can be of the large rectangular type. In at least some embodiments, other (e.g., most or all) of the exterior wall components **5182** of the large rectangular type within the exterior enclosure **5180** at least substantially match the given exterior wall component **5182**. Furthermore, exterior wall components **5182** of other types (e.g., small rectangular, large L-shaped, small L-shaped, etc.) can have the same or similar features as the features of the given exterior wall component **5182**. With reference to FIGS. 138-142 together, the given exterior

wall component **5182** can include a rigid shell **5408**, a package **5410** removably disposed within the shell **5408**, and a rigid plate **5412** also removably disposed within the shell **5408**. The package **5410** can contain the planting medium **5306** in a tidy form. The plate **5412** can support the package **5410**.

[0423] The shell **5408** can include a first side panel **5414** and an opposite second side panel **5416** parallel to and spaced apart from the first side panel **5414**. Similarly, the shell **5408** can include a first end panel **5418** and an opposite second end panel **5420** parallel to and spaced apart from the first end panel **5418**. The first and second side panels **5414**, **5416** and the first and second end panels **5418**, **5420** can define an interior region of the given exterior wall component **5182** shaped, for example, as a rectangular solid. The apertures **5402** can extend through the shell **5408** at the first and second side panels **5414**, **5416**. Alternatively, the apertures **5402** can extend through the shell **5408** at only the first side panel **5414** or at only the second side panel **5416** if the vegetation **5184** is only desired at one or the other of the interior and exterior sides of the exterior enclosure **5180**.

[0424] In at least some embodiments, the shell **5408** is collapsible from an expanded state to a compact (e.g., at least partially flattened) state. For example, at corners where the first and second side panels **5414**, **5416** and the first and second end panels **5418**, **5420** meet, the given exterior wall component **5182** can include hinges (not shown), such as flexure bearings or piano hinges, that allow each corner to fold in a direction that causes the first and second side panels **5414**, **5416** and the first and second end panels **5418**, **5420** to at least partially flatten. This feature can facilitate efficient storage and transport of the shell **5408** before and/or after its deployment at the real estate unit **5162**. In at least some embodiments, the plate **5412** helps to hold the shell **5408** in the expanded state. As shown in FIG. 142, a lowermost portion of one the flanges **5400** can overlap an uppermost portion of one the flanges **5400**. The plate **5412** can rest on upper edges of the flanges **5400**.

[0425] The given exterior wall component **5182** can include two of the flanges **5400** at the first side panel **5414** and another two of the flanges **5400** at the second side panel **5416**. As shown in FIG. 141, the flanges **5400** can be parallel to and inset relative to the corresponding first and second side panels **5414**, **5416**. Between the flanges **5400** at the first side panel **5414** and between the flanges **5400** at the second side panel **5416**, the given exterior wall component **5182** can include respective slots **5422**. When the given exterior wall component **5182** is assembled with other exterior wall components **5182** of the large rectangular type within the exterior enclosure **5180**, one of the flanges **5400** at the first side panel **5414** and an opposing one of the flanges **5400** at the second side panel **5416** can be received within the interior region of a first neighboring lower exterior wall component **5182**. Similarly, the other of the flanges **5400** at the first side panel **5414** and the other of the flanges **5400** at the second side panel **5416** can be received within the interior region of a second neighboring lower exterior wall component **5182** adjacent to the first neighboring lower exterior wall component **5182**. The second end panel **5420** of the first neighboring lower exterior wall component **5182** and the first end panel **5418** of the second neighboring lower exterior wall component **5182** can be directly adjacent to one another and received within the slots **5422** of the given exterior wall component **5182**. This interaction between the

exterior wall components **5182** can facilitate convenient assembly of the exterior enclosure **5180** with neighboring rows of the exterior wall components **5182** evenly staggered.

[0426] In the illustrated embodiment, the first and second side panels **5414**, **5416** are thinner than the first and second end panels **5418**, **5420** and made of a different material. For example, the first and second side panels **5414**, **5416** can be metal (e.g., iron) and the first and second end panels **5418**, **5420** can be cementitious (e.g., fiber-reinforced cement). The metal composition of the first and second side panels **5414**, **5416** can be useful, for example, for aesthetics, to facilitate magnetic coupling of fixtures and accessories to the exterior enclosure **5180**, and/or for other reasons. The cementitious composition of the first and second end panels **5418**, **5420** can be useful, for example, to reduce noise transmission through the exterior enclosure **5180**, for cost savings, and/or for other reasons. In other embodiments, the first and second side panels **5414**, **5416** and the first and second end panels **5418**, **5420** can have other compositions. The package **5410** can be reusable and/or compostable. Furthermore, the package **5410** can be configured to remain at least substantially intact for convenient reuse and/or composting upon disassembly of the exterior enclosure **5180**. In at least some embodiments, the package **5410** includes a biodegradable skin **5424** that contains the planting medium **5306**. When the exterior enclosure **5180** is assembled, the skin **5424** can be punctured via the apertures **5402**. Suitable materials for the skin **5424** include burlap and cotton, among others. As shown in FIG. 143, the plate **5412** can include perforations **5426** through which water can flow by gravity from one exterior wall component **5182** to a neighboring lower exterior wall component **5182** (or base block **5304**).

[0427] FIG. 143 is an enlarged view of a third portion of FIG. 129 showing a portion of the compartmentalizing assembly **5185**. FIGS. 144 and 145 are, respectively, a cross-sectional exterior (i.e., facing outward relative to the compartment **5186**) side profile view and a cross-sectional interior (i.e., facing inward relative to the compartment **5186**) side profile view of a portion of the real estate unit **5162** corresponding to the third portion of FIG. 129 shown in FIG. 143. With reference to FIGS. 129 and 143-146 together, the compartmentalizing assembly **5185** can include staggered rows of the interior wall components **5187**. For example, the interior wall components **5187** at a corner of the compartmentalizing assembly **5185** distant from the exterior wall **5104b** can alternate row-to-row between larger and smaller L-shapes. Similarly, the interior wall components **5187** at a portion of the compartmentalizing assembly **5185** closest to the exterior wall **5104b** and at a portion of the compartmentalizing assembly **5185** closest to the exterior wall **5104c** can alternate row-to-row between larger and smaller rectangular shapes. Elsewhere within the compartmentalizing assembly **5185**, the interior wall components **5187** can have the larger rectangular shape. The overall compartmentalizing assembly **5185** can be at least substantially self-supporting and/or at least substantially free-standing.

[0428] The interior space **5138** can have a finished floor surface **5450** over which the interior wall components **5187** are removably disposed, a finished wall surface **5452** beside which the interior wall components **5187** are removably disposed, and a finished ceiling surface **5454** below which

the interior wall components **5187** are removably disposed. The compartmentalizing assembly **5185** can include a liner **5456** disposed (e.g., removably or permanently disposed) on the finished floor surface **5450** below the interior wall components **5187**. For example, the liner **5456** can be adhesively connected to the finished floor surface **5450**. The liner **5456** can be useful, for example, to protect the finished floor surface **5450** from components of the compartmentalizing assembly **5185**, to facilitate layout the compartmentalizing assembly **5185**, to reduce or eliminate the possibility of shifting of the compartmentalizing assembly **5185**, and/or for other purposes. Suitable materials for the liner **5456** include strips of peel-and-stick house wrap and strips of peel-and-stick roof underlayment. The liner **5456** can be disposable or reusable.

[0429] In at least some embodiments, the compartmentalizing assembly **5185** includes additional components that facilitate compatibility between the interior wall components **5187** and the interior space **5138** when the interior wall components **5187** have standard dimensions and the interior space **5138** has irregular dimensions. For example, the compartmentalizing assembly **5185** can include a third mass of self-leveling material **5458** (e.g., a disposable mass of hardened self-leveling grout) under the interior wall components **5187** and over the liner **5456**. The third mass of self-leveling material **5458** can be molded and, in at least some cases, is integrally formed along most or all of an overall footprint of the compartmentalizing assembly **5185**. During formation of the third mass of self-leveling material **5458**, the constituent self-leveling material can be of sufficiently low viscosity to level itself by gravity. Thus, the third mass of self-leveling material **5458** can automatically conform to slopes, dips, and other irregularities in the finished floor surface **5450**. When at least partially cured, the third mass of self-leveling material **5458** can provide the compartmentalizing assembly **5185** with a reliably level surface that facilitates vertical stacking of the interior wall components **5187**.

[0430] As shown in FIGS. **143** and **144**, the compartmentalizing assembly **5185** can include compressible batting **5460** disposed (e.g., stuffed) into a vertical gap between the interior wall components **5187** and the finished wall surface **5452** and disposed (e.g., stuffed) into a horizontal gap between the interior wall components **5187** and the finished ceiling surface **5454**. In the illustrated embodiment, the batting **5460** is not present between the compartmentalizing assembly **5185** and the exterior wall **5104c**. Thus, the batting **5460** can be present along some joints between the compartmentalizing assembly **5185** and corresponding surfaces of the interior space **5138** and not others. In other embodiments, a counterpart of the batting **5460** can be present at all or no counterparts of these joints. When present, the batting **5460** can be reusable. Furthermore, the batting **5460** can be non-combustible. For example, the batting **5460** can be reusable bundles of lined or unlined mineral wool insulation. As shown in FIG. **145**, the compartmentalizing assembly **5185** can include inwardly facing molding panels **5462** that hide the batting **5460** from inside the compartment **5186**. The molding panels **5462** can be attached to the interior wall components **5187** magnetically, adhesively, mechanically, or in another manner. In at least some embodiments, the overall compartmentalizing assembly **5185** has a fire rating of at least two hours. This can be useful, for example, for build-

ing-code compliance when the real estate unit **5162** has a use different than another ongoing use within the commercial building **5100**.

[0431] The interior wall components **5187** can include features similar to those described above for the exterior wall components **5182**. For example, the individual interior wall components **5187** can include downwardly extending flanges **5464** that are received within successively lower interior wall components **5187**. The compartmentalizing assembly **5185** can further include base blocks **5466** configured to receive the flanges **5464** of the interior wall components **5187** within a lowest row of interior wall components **5187** within the compartmentalizing assembly **5185**. When fully assembled, the compartmentalizing assembly **5185** can be strong enough to support fixtures and accessories (e.g., electrical conduits, monitors, shelving, moldings, artwork, furniture supports, etc.). In at least some embodiments, exposed portions of the interior wall components **5187** are at least partially made of ferrous metal such that fixtures and accessories can be connected to the compartmentalizing assembly **5185** magnetically. In addition or alternatively, the interior wall components **5187** can include coupling components **5468** that allow fixtures and accessories to be connected to the compartmentalizing assembly **5185** mechanically and/or by gravity.

[0432] FIG. **147** is side profile view of a given one of the interior wall components **5187** separate from other portions of the compartmentalizing assembly **5185**. FIG. **148** is a cross-sectional top plan view of the given interior wall component **5187** taken along the line **148-148** in FIG. **147**. FIG. **149** is a cross-sectional end plan view of the given interior wall component **5187** taken along the line **149-149** in FIG. **147**. The given interior wall component **5187** is of the large rectangular type. In at least some embodiments, other (e.g., most or all) of the interior wall components **5187** of the large rectangular type within the compartmentalizing assembly **5185** at least substantially match the given interior wall component **5187**. Furthermore, interior wall components **5187** of other types (e.g., small rectangular, large L-shaped, small L-shaped, etc.) can have the same or similar features as the features of the given interior wall component **5187**. With reference to FIGS. **147-149** together, the given interior wall component **5187** can include a shell **5470** having a first side panel **5472** and an opposite second side panel **5474** parallel to and spaced apart from the first side panel **5472**. Similarly, the shell **5470** can include a first end panel **5476** and an opposite second end panel **5478** parallel to and spaced apart from the first end panel **5476**. The first and second side panels **5472**, **5474** and the first and second end panels **5476**, **5478** can define an interior region of the given interior wall component **5187** shaped, for example, as a rectangular solid.

[0433] The given interior wall component **5187** can include two of the flanges **5464** at the first side panel **5472** and another two of the flanges **5464** at the second side panel **5474**. As shown in FIG. **147**, the flanges **5464** can be parallel to and inset relative to the corresponding first and second side panels **5472**, **5474**. Between the flanges **5464** at the first side panel **5472** and between the flanges **5464** at the second side panel **5474**, the given interior wall component **5187** can include respective slots **5480**. When the given interior wall component **5187** is assembled with other interior wall components **5187** of the large rectangular type within the compartmentalizing assembly **5185**, one of the flanges **5464** at

the first side panel **5472** and an opposing one of the flanges **5464** at the second side panel **5474** can be received within the interior region of a first neighboring lower interior wall component **5187**. Similarly, the other of the flanges **5464** at the first side panel **5472** and the other of the flanges **5464** at the second side panel **5474** can be received within the interior region of a second neighboring lower interior wall component **5187** adjacent to the first neighboring lower interior wall component **5187**. The second end panel **5478** of the first neighboring lower interior wall component **5187** and the first end panel **5476** of the second neighboring lower interior wall component **5187** can be directly adjacent to one another and received within the slots **5480** of the given interior wall component **5187**. This interaction between the interior wall components **5187** can facilitate convenient assembly of the compartmentalizing assembly **5185** with neighboring rows of the interior wall components **5187** evenly staggered.

[0434] In the illustrated embodiment, the first and second side panels **5472**, **5474** are thinner than the first and second end panels **5476**, **5478** and made of a different material. For example, the first and second side panels **5472**, **5474** can be metal (e.g., iron) and the first and second end panels **5476**, **5478** can be cementitious (e.g., fiber-reinforced cement). The metal composition of the first and second side panels **5472**, **5474** can be useful, for example, for aesthetics, to facilitate magnetic coupling of fixtures and accessories to the compartmentalizing assembly **5185**, and/or for other reasons. The cementitious composition of the first and second end panels **5476**, **5478** can be useful, for example, to reduce noise transmission through the compartmentalizing assembly **5185**, for cost savings, and/or for other reasons. In other embodiments, the first and second side panels **5472**, **5474** and the first and second end panels **5476**, **5478** can have other compositions.

[0435] The given interior wall component **5187** can further include batting **5482** disposed within its interior region. Similar to the batting **5460** described above, the batting **5482** can be reusable and/or non-combustible. For example, the batting **5482** can be reusable bundles of lined or unlined mineral wool insulation. In at least some embodiments, the batting **5482** is removable. Furthermore, the shell **5470** can be collapsible from an expanded state to a compact (e.g., at least partially flattened) state. For example, at corners where the first and second side panels **5472**, **5474** and the first and second end panels **5476**, **5478** meet, the given interior wall component **5187** can include hinges (not shown), such as flexure bearings or piano hinges, that allow each corner to fold in a direction that causes the first and second side panels **5472**, **5474** and the first and second end panels **5476**, **5478** to at least partially flatten. This feature can facilitate efficient storage and transport of the shell **5470** before and/or after its deployment at the real estate unit **5162**. When the shell **5470** is collapsible, the given interior wall component **5187** can include a rectangular inset (not shown) similar to the plate **5412** discussed above in the context of the exterior wall component **5182**. The inset can be removably disposed within the interior of the given interior wall component **5187** such that it rests on upper edges of the flanges **5464**. When present, the inset can help the given interior wall component **5187** maintain its rectangular form during use. When the shell **5470** is collapsed, the inset can be removed.

[0436] FIG. **150** is an enlarged view of a portion of FIG. **149**. As shown in FIG. **150**, a lowermost portion of the first

side panel **5472** can overlap an uppermost portion of one of the flanges **5464**. FIG. **150** further illustrates a given one of the coupling components **5468** at the lowermost portion of the first side panel **5472**. In at least some embodiments, other (e.g., most or all) of the coupling components **5468** of interior wall components **5187** within the compartmentalizing assembly **5185** at least substantially match the coupling component **5468** illustrated in FIG. **150**. The coupling component **5468** can include a notch **5484** and a plug **5486** removably disposed within the notch **5484**. The plug **5486** can include a magnet **5488** that releasably connects the plug **5486** to the uppermost portion of the adjacent flange **5464**. The plug **5486** can be disposed within the notch **5484** when the coupling component **5468** is not in use. Removing the plug **5486** from the notch **5484** can expose an opening into the interior of the given interior wall component **5187**. A mechanical fastener (e.g., a hook) (not shown) can be inserted into this opening. In this way, relatively heavy fixtures and accessories can be connected to the compartmentalizing assembly **5185** through a reliable mechanical connection in addition to or instead of a magnetic connection.

[0437] FIG. **151** is a cross-sectional top plan view of a real estate unit **5490** in accordance with another embodiment of the present technology including the interior space **5138** within the commercial building **5100** taken along the line **151-151** in FIG. **126** with the interior space **5138** in the second state. FIG. **152** is an enlarged view of a portion of FIG. **151**. FIG. **153** is a cross-sectional exterior side profile view of a portion of the real estate unit **5490** corresponding to the portion of FIG. **151** shown in FIG. **152**. With reference to FIGS. **151-153** together, the real estate unit **5490** can include a compartmentalizing assembly **5491** having ceiling components (e.g., reusable ceiling components) removably disposed within the commercial building **5100**. For example, the compartmentalizing assembly **5491** can include rigid ceiling panels **5492** and elongate ceiling beams **5493** interspersed between the ceiling panels **5492**. The ceiling beams **5493** can support the ceiling panels **5492**, and the interior wall components **5187** can support the ceiling beams **5493**. The interior wall components **5187** can be assembled into walls, columns, or other suitable structures that extend between the ceiling beams **5493** and the finished floor surface **5450**. For example, the compartmentalizing assembly **5491** can include a wall **5494** parallel to and spaced apart from the exterior wall **5104c**, and a series of columns (not shown) abutting an interior surface of the exterior wall **5104c**. The ceiling beams **5493** can extend between the wall **5494** and the columns. When a distance between the wall **5494** and the columns does not correspond to a multiple of the length of the ceiling panels **5492**, and in other cases, the ceiling panels **5492** and the ceiling beams **5493** can be cantilevered over the wall **5494**.

[0438] As shown in FIG. **153**, the individual ceiling beams **5493** can have an I-shape transverse cross-section including two channels at opposite sides of a central web. The individual ceiling panels **5492** can have side edge portions snugly received within corresponding channels of adjacent ceiling beams **5493**. Together, the ceiling panels **5492** and the ceiling beams **5493** can form a ceiling **5495** of the real estate unit **5490**. The ceiling **5495** can be below an airspace **5496** within the commercial building **5100**. The commercial building **5100** can include a central heating system **5497** (shown schematically) operable to heat the airspace **5496**



and thereby provide below-room-temperature baseline heating to the interior space 5138 via the ceiling 5495. The real estate unit 5490 can include a supplemental heater 5498 (shown schematically) operable to provide supplemental heating to the interior space 5138.

[0439] With reference again to the real estate unit 5162, FIGS. 154, 155, 156 and 157 are, respectively, a first side profile view, an opposite second side profile view, a first end profile view, and an opposite second end profile view of the bathroom 5164. With reference to FIGS. 154-157 together, the bathroom 5164 can include a rectangular floor module 5500, a rectangular ceiling module 5502 vertically spaced apart from the floor module 5500, and a plurality of wall modules 5504 (individually identified as wall modules 5504a-5504d) removably connected to the floor and ceiling modules 5500, 5502 at respective perimeter portions of the floor and ceiling modules 5500, 5502. The bathroom 5164 can further include a lower gasket 5506 disposed between the perimeter portion of the floor module 5500 and the wall modules 5504, and an upper gasket 5508 disposed between the perimeter portion of the ceiling module 5502 and the wall modules 5504. The floor module 5500 can include upwardly extending tabs 5510 through which the floor module 5500 is secured to the wall modules 5504. Similarly, the ceiling module 5502 can include downwardly extending tabs 5512 through which the ceiling module 5502 is secured to the wall modules 5504. The wall modules 5504c, 5504d can include vertical flanges 5514 at which the wall modules 5504c, 5504d are secured to the wall modules 5504a, 5504b. The bathroom 5164 can include bolts 5516 and associated nuts 5518 at the upwardly extending tabs 5510, the downwardly extending tabs 5512, and the vertical flanges 5514.

[0440] At the wall module 5504a (FIG. 156), the bathroom 5164 can include a doorway opening 5520, a frame 5522 extending around the doorway opening 5520, and a door 5524 disposed within the doorway opening 5520 and hingedly connected to the frame 5522. The bathroom 5164 can further include a handle 5526 and hinges 5528 operably associated with the door 5524. At the wall module 5504c (FIG. 154), the bathroom 5164 can include a plumbing ventilation hookup 5530 and an exhaust hookup 5532. The plumbing ventilation hookup 5530 and the exhaust hookup 5532 can be configured for convenient connection to and disconnection from the plumbing ventilation line 5234 and the exhaust line 5236 (FIG. 129), respectively, such as via quick-release couplings (not shown). The wall modules 5504c, 5504d can extend between the wall modules 5504a, 5504b at opposite sides of the bathroom 5164. As discussed above, the bathroom 5164 can be configured to be elevated above a floor surface of the interior space 5138. For this purpose and/or another purpose, the floor module 5500 can include feet 5533. In at least some embodiments, a gap between the feet 5533 is large enough to allow the bathroom 5164, when fully assembled, to be conveniently moved by forklift. At the ceiling module 5502, the bathroom 5164 can include skylights 5534 that allow ambient light within the interior space 5138 to enter an interior of the bathroom 5164.

[0441] At a side of the floor module 5500 below the wall module 5504c, the bathroom 5164 can include a blackwater drain hookup 5535, a main cold water supply hookup 5536, and a main hot water supply hookup 5538. At an end of the floor module 5500 below the wall module 5504a, the bathroom 5164 can include a main electrical hookup 5540 and a main greywater drain hookup 5541. The blackwater

drain hookup 5535, the main cold water supply hookup 5536, the main hot water supply hookup 5538, the main electrical hookup 5540, and the main greywater drain hookup 5541 can be configured for convenient connection to and disconnection from the blackwater drain line 5226, the cold water supply line 5228, the hot water supply line 5230, the electrical line 5224, and the greywater drain line 5232, respectively, such as via quick-release couplings (not shown). At a side of the floor module 5500 below the wall module 5504d, the bathroom 5164 can include an auxiliary greywater drain hookup 5542, an auxiliary cold water supply hookup 5544, an auxiliary hot water supply hookup 5546, and an auxiliary electrical hookup 5548. The auxiliary greywater drain hookup 5542, the auxiliary cold water supply hookup 5544, the auxiliary hot water supply hookup 5546, and the auxiliary electrical hookup 5548 can be configured for convenient connection to and disconnection from corresponding lines (not shown) of the kitchenette 5292, such as via quick-release couplings (not shown).

[0442] FIG. 158 is a cross-sectional top plan view of the bathroom 5164 taken along the line 158-158 in FIG. 154. As shown in FIG. 158, the floor module 5500 can include a deck 5554 on which the sink 5166, the toilet 5168, and the bath/shower 5170 are disposed (e.g., removably disposed). The sink 5166 can include a basin 5562, a sink drain 5564, a sink faucet 5566, a sink hot water knob 5568, and a sink cold water knob 5570 operably connected to one another. The toilet 5168 can include a tank 5572, a bowl 5574, and a toilet drain 5576 operably connected to one another. The bath/shower 5170 can include a tub 5578, a bath/shower drain 5580, a tub faucet 5582, a tub cold water knob 5584, a tub hot water knob 5586, a cold water conduit 5588, and a hot water conduit 5590 operably connected to one another. The cold water conduit 5588 can include a riser 5592 and a first branch 5594 extending between the riser 5592 and the tub faucet 5582. The tub cold water knob 5584 can be disposed along the first branch 5594 and operable to control a flow of cold water from the cold water conduit 5588 to the tub faucet 5582. Similarly, the hot water conduit 5590 can include a riser 5596 and a first branch 5598 extending between the riser 5596 and the tub faucet 5582. The tub hot water knob 5586 can be disposed along the first branch 5598 and operable to control a flow of hot water from the hot water conduit 5590 to the tub faucet 5582.

[0443] The bathroom 5164 can include an electrical conduit 5600, and a junction box 5602 operably connected to the electrical conduit 5600. The bathroom 5164 can further include a first plumbing ventilation conduit 5604 disposed between the sink 5166 and the toilet 5168, and a second plumbing ventilation conduit 5605 disposed between the sink 5166 and the bath/shower 5170. The first and second plumbing ventilation conduits 5604, 5605 can be configured to ventilate blackwater and greywater plumbing, respectively. The bathroom 5164 can still further include a floor drain 5606 disposed between the toilet 5168 and the bath/shower 5170. FIG. 159 is an enlarged view of a portion of FIG. 158. With reference to FIGS. 158 and 159 together, the bathroom 5164 can include vertical gaskets 5608 disposed between the respective vertical flanges 5514 and corresponding portions of the wall modules 5504a, 5504b. Similarly, the bathroom 5164 can include lower tab gaskets 5610 disposed between the respective upwardly extending tabs 5510 and corresponding portions of the wall modules 5504.

[0444] FIG. 160 is a cross-sectional bottom plan view of the bathroom 5164 taken along the line 160-160 in FIG. 154. As shown in FIG. 160, the bathroom 5164 can include a light fixture 5612 attached to the wall module 5504c above the sink 5166. The bathroom 5164 can further include an exhaust intake fan 5614 attached to the ceiling module 5502. The electrical conduit 5600 can extend from the junction box 5602 (FIG. 158) to the light fixture 5612, and from the light fixture 5612 to the exhaust intake fan 5614. The first and second plumbing ventilation conduits 5604, 5605 can merge and extend along an inner corner between the ceiling module 5502 and the wall module 5504c to the plumbing ventilation hookup 5530 (FIG. 154). The bathroom 5164 can include an exhaust conduit 5616 extending from the exhaust intake fan 5614 along an inner corner between the ceiling module 5502 and the wall module 5504b to the exhaust hookup 5532 (FIG. 154). Above one end of the tub 5578 (FIG. 158), the bath/shower 5170 (FIG. 158) can include a showerhead 5618, a shower cold water knob 5620 operably connected to the cold water conduit 5588, and a shower hot water knob 5622 operably connected to the hot water conduit 5590. The cold water conduit 5588 can include a second branch 5624 extending between the riser 5592 and the showerhead 5618. The shower cold water knob 5620 can be disposed along the second branch 5624 and operable to control a flow of cold water from the cold water conduit 5588 to the showerhead 5618. Similarly, the hot water conduit 5590 can include a second branch 5626 extending between the riser 5596 and the showerhead 5618. The shower hot water knob 5622 can be disposed along the second branch 5626 and operable to control a flow of hot water from the hot water conduit 5590 to the showerhead 5618. The bathroom 5164 can include upper tab gaskets 5628 disposed between the respective downwardly extending tabs 5512 and corresponding portions of the wall modules 5504.

[0445] FIG. 161 is a cross-sectional top plan view of the bathroom 5164 taken along the line 161-161 in FIG. 154. With reference to FIGS. 129 and 154-161 together, the floor module 5500 can include a skirt 5630 and a series of parallel spaced-apart joists 5632 within the skirt 5630. The bathroom 5164 can include a blackwater drain conduit 5634 operably connected to the blackwater drain hookup 5535 and the toilet drain 5576. Thus, the toilet 5168 can be operably connected to the blackwater tank 5194 via the blackwater drain conduit 5634 and the blackwater drain line 5226. The blackwater drain conduit 5634 can include a branch 5635 operably connected to the first plumbing ventilation conduit 5604. The bathroom 5164 can further include a greywater drain conduit 5636 operably connected to the main greywater drain hookup 5541. The greywater drain conduit 5636 can include branches 5638 (individually identified as branches 5638a-5638c) operably connected to the second plumbing ventilation conduit 5605, the sink drain 5564, and the auxiliary greywater drain hookup 5542, respectively. The greywater drain conduit 5636 can further include sub-branches 5639 (individually identified as sub-branches 5639a, 5639b) operably connected to the bath/shower drain 5580 and the floor drain 5606, respectively. Thus, the bath/shower drain 5580 can be operably connected to the greywater filter 5200 via the greywater drain conduit 5636 and the greywater drain line 5232. The sub-branches 5639c, 5639b of the greywater drain conduit 5636 can include respective traps 5640. Furthermore, the blackwater drain

conduit 5634 and the greywater drain conduit 5636 can include respective caps 5642, such as to facilitate clean-out.

[0446] The bathroom 5164 can include wheels 5643 (e.g., swivel casters) integrated into the floor module 5500. In the illustrated embodiment, the wheels 5643 are embedded within the feet 5533 and accessible via inwardly facing openings (not shown) of the feet 5533. The individual wheels 5643 can be movable between a retracted state and an extended state. For example, the bathroom 5164 can include posts 5644 having threads (not shown) that engage corresponding threads (not shown) of the wheels 5643 such that the wheels 5643 can be rotatably moved between the retracted and extended states. Moving the wheels 5643 from the retracted state to the extended state can lift the bathroom 5164 off a corresponding floor surface, thereby allowing the bathroom 5164 to be conveniently moved along the floor surface.

[0447] The bathroom 5164 can further include a main cold water conduit 5645 and a main hot water conduit 5646 operably connected to the main cold water supply hookup 5536 and the main hot water supply hookup 5538, respectively. The main cold water conduit 5645 can include branches 5648 (individually identified as branches 5648a, 5648b) operably connected to the sink 5166 and the bath/shower 5170 (via the riser 5592), respectively. The main cold water conduit 5645 can further include sub-branches 5650 (individually identified as sub-branches 5650a, 5650b) operably connected to the auxiliary cold water supply hookup 5544 and the toilet 5168, respectively. The main hot water conduit 5646 can include branches 5652 (individually identified as branches 5652a, 5652b) operably connected to the sink 5166 and the bath/shower 5170 (via the riser 5596), respectively. The main hot water conduit 5646 can further include a sub-branch 5654 operably connected to the auxiliary hot water supply hookup 5546. The bathroom 5164 can still further include a main electrical conduit 5656 operably connected to the main electrical hookup 5540. The main electrical conduit 5656 can include branches 5658 (individually identified as branches 5658a, 5658b) operably connected to the auxiliary electrical hookup 5548 and a floor heating system (introduced below). The main electrical conduit 5656 can further include a sub-branch 5659 operably connected to the electrical conduit 5600.

[0448] FIG. 162 is a cross-sectional bottom plan view of the bathroom 5164 taken along the line 162-162 in FIG. 154. As shown in FIG. 162, the bathroom 5164 can include a floor heating system 5660 operably associated with the deck 5554. The floor heating system 5660 can include a control box 5662 operably connected to the branch 5658b of the main electrical conduit 5656, and a heating cable 5664 operably connected to the control box 5662. The heating cable 5664 can have a serpentine configuration and be directly connected to an underside of the deck 5554 between the joists 5632. With reference to FIGS. 154-162 together, the floor drain 5606, the blackwater drain conduit 5634 (e.g., including its branch 5635), the greywater drain conduit 5636 (e.g., including its branches 5638 and sub-branches 5639), the main cold water conduit 5645 (e.g., including its branches 5648 and sub-branches 5650), the main hot water conduit 5646 (e.g., including its branches 5652 and sub-branch 5654), the main electrical conduit 5656 (e.g., including its branches 5658 and sub-branch 5659), the floor heating system 5660, and/or other suitable components of the bathroom 5164 can be pre-installed components of the

floor module **5500**. Similarly, the supply plumbing for the bath/shower **5170** (e.g., including the tub faucet **5582**, the cold water conduit **5588**, the hot water conduit **5590**, and the showerhead **5618**), the light fixture **5612**, and/or other suitable components of the bathroom **5164** can be pre-installed components of the wall module **5504c**. These and/or other aspects of the bathroom **5164** can facilitate rapid deployment, removal, and redeployment of the bathroom **5164**.

[0449] FIG. 163 is a cross-sectional top plan view of a real estate unit **5700** in accordance with another embodiment of the present technology including the interior space **5138** within the commercial building **5100** taken along the line I-I in FIG. 126 with the interior space **5138** in the second state. The real estate unit **5700** can include a dock **5701** that does not include the blackwater tank **5194** (FIG. 129) and the blackwater drain line **5226** (FIG. 129) of the real estate unit **5162** (FIG. 129). Instead of these components, the real estate unit **5700** can include a blackwater drain line **5702** extending between (e.g., removably disposed between) the bathroom **5164** and an outdoor sewage hookup **5704**. The blackwater drain line **5702** can extend through the exterior wall **5104c** from the bathroom **5164** toward the sewage hookup **5704**. Furthermore, the blackwater drain line **5702** can extend above-floor and then above-ground from the bathroom **5164** toward the sewage hookup **5704**.

[0450] The sewage hookup **5704** can be a retrofitted access point to a municipal, septic, or other permanent sewage system serving the commercial building **5100**. In at least some cases, the blackwater drain line **5702** connects to the sewage hookup **5704** via a quick-connect coupling (not shown). In the illustrated embodiment, the real estate unit **5700** (like the real estate unit **5162** (FIG. 129)) is configured to recycle greywater. In other embodiments, a counterpart of the real estate unit **5700** can be configured to dispose of greywater with blackwater via the sewage hookup **5704**. For example, a counterpart of the bathroom **5164** can be alternatively configured so that a counterpart of the greywater drain conduit **5636** (FIG. 161) is combined with a counterpart of the blackwater drain conduit **5634** (FIG. 161). In these and other embodiments, the exterior enclosure **5180** can be configured to receive water from the hose bibb **5160** and/or configured to receive water in another manner.

[0451] In another embodiment, a counterpart of the real estate unit **5162** (FIG. 129) is operably associated with components that reduce or eliminate the need for frequent servicing and/or connections to permanent utilities serving the commercial building **5100**. For example, the counterpart of the real estate unit **5162** (FIG. 129) can be operably associated with a high-capacity sewage detention reservoir (not shown) disposed (e.g., removably disposed) outside the interior space **5138**, a high-capacity cold water reservoir (not shown) disposed (e.g., removably disposed) outside the interior space **5138**, and/or a high-capacity generator (not shown) disposed (e.g., removably disposed) outside the interior space **5138**. The high-capacity sewage detention reservoir can be configured for occasional evacuation into a mobile tanker (e.g., a septic system pump truck). Similarly, the high-capacity cold water reservoir can be configured for occasional replenishment from a mobile tanker (e.g., a water supply truck). In these embodiments, with reference to FIG. 129, a counterpart of the dock **5188** can be without the blackwater tank **5194**, the water reservoir **5196**, the greywater filter **5200**, and/or the battery **5204**.

[0452] FIG. 164 is a cross-sectional top plan view of a real estate unit **5720** in accordance with another embodiment of the present technology including the interior space **5138** within the commercial building **5100** taken along the line I-I in FIG. 126 with the interior space **5138** in the second state. As shown in FIG. 164, the real estate unit **5700** can be without a dock and can, instead, be tethered to plumbing and electrical systems of the commercial building **5100**. The first building bathroom **5110** can include a toilet hookup **5722** that is exposed when the toilet **5142** of the first building bathroom **5110** is removed. Similarly, the first building bathroom **5110** can include sink hookups (e.g., hot and cold; not shown) that are exposed when the sink **5144** of the first building bathroom **5110** is disconnected. The toilet hookup **5722** and the sink hookups can be operably connected to the plumbing drain trunk line **5146** and the water supply trunk line **5148**, respectively. The real estate unit **5720** can include a bathroom **5723** operably connected to the plumbing drain trunk line **5146** and the water supply trunk line **5148** via the toilet hookup **5722** and the sink hookups, respectively. The second building bathroom **5112** can remain in service for a separate ongoing occupancy of the interior space **5140**. The bathroom **5723** can be similar to the bathroom **5164** of the real estate unit **5162**, but with different plumbing, electrical, ventilation, and exhaust configurations. The real estate unit **5162** can include a heat pump **5726**, an exhaust filter **5728**, and refrigerant lines (not shown) similar to the heat pump **5190**, the exhaust filter **5192**, and the refrigerant lines **5220** of the real estate unit **5162**.

[0453] The real estate unit **5720** can further include a plumbing drain line **5730** through which the bathroom **5724** is operably connected to the plumbing drain trunk line **5146**. The plumbing drain line **5730** can be disposed (e.g., removably disposed) between the bathroom **5724** and the toilet hookup **5722**. For example, the plumbing drain line **5730** can extend above-floor at least two meters within the commercial building **5100** from the bathroom **5724** toward the toilet hookup **5722**. Similarly, the real estate unit **5720** can include water supply lines **5732** (e.g., hot and cold) through which the bathroom **5724** is operably connected to the water supply trunk line **5148**. The water supply lines **5732** can be disposed (e.g., removably disposed) between the bathroom **5724** and the sink hookups. For example, the water supply lines **5732** can extend above-floor at least two meters within the commercial building **5100** from the bathroom **5724** toward the sink hookups. Also similarly, the real estate unit **5720** can include an electrical line **5734** through which the bathroom **5724** and outlets (not shown) within the real estate unit **5720** are operably connected to the electrical panel **5154**. The electrical line **5734** can be disposed (e.g., removably disposed) between the bathroom **5724** and the electrical panel **5154**. The interior doors **5116** can be propped open (as shown) or removed to allow passage of the plumbing drain line **5730**, the water supply lines **5732**, and the electrical line **5734** between the bathroom **5724** and the toilet hookup **5722**, the sink hookups, and the electrical panel **5154**, respectively. The real estate unit **5720** can further include a bridge **5736** disposed over a bundle of the plumbing drain line **5730**, the water supply lines **5732**, and the electrical line **5734**. The bridge **5736** can be reusable and removably disposed within the commercial building **5100**. The bridge **5736** can be useful, for example, to facilitate pedestrian

traversal over the bundle when the back door 5132 is to remain in service for a separate ongoing occupancy at the interior space 5140.

[0454] The real estate unit 5720 can further include a sewage detention tank 5738 along the plumbing drain line 5730. Similarly, the real estate unit 5720 can include a water supply tank (not shown) and a supplemental water heater (not shown) along the water supply lines 5732. The sewage detention tank 5738, the water supply tank, and the supplemental water heater can be reusable and disposed (e.g., removably disposed) within the commercial building 5100. These components can attenuate spikes in water demand and/or sewage flow from the real estate unit 5720. In the illustrated embodiment, there is only one real estate unit 5720 within the commercial building 5100. In other embodiments, there can be multiple counterparts of the real estate unit 5720 within a counterpart of the commercial building 5100. In these other embodiments, a plumbing fixture load of a counterpart of the first building bathroom 5110 may still be sufficient to service the multiple counterparts of the real estate unit 5720 due, for example, to increased capacity provided by counterparts of the sewage detention tank 5738, the water supply tank, and the supplemental water heater. In addition or alternatively, when there are two counterparts of the real estate unit 5720 within a counterpart of the commercial building 5100, the two counterparts of the real estate unit 5720 can be separately tethered to the first and second building bathrooms 5110, 5112, respectively.

[0455] In the embodiments illustrated in FIGS. 129 and 164, the real estate units 5162, 5720 are configured at least primarily as lodging and/or residential units. In other embodiments, a counterpart of the real estate units 5162, 5720 can have another primary use. For example, the counterpart of the real estate units 5162, 5720 can be a rentable office unit, a rentable assembly unit, and/or a rentable unit of another type. FIG. 165 is a cross-sectional top plan view of a real estate unit 5750 in accordance with another embodiment of the present technology including the interior space 5138 within the commercial building 5100 taken along the line I-I in FIG. 126 with the interior space 5138 in the second state. The real estate unit 5750 can be configured at least primarily as a rentable office unit. The real estate unit 5750 can include office furnishings, such as a workstation 5752 removably disposed within the interior space 5138. Because privacy tends to be less important for office uses than for lodging and residential uses and/or for other reasons, the real estate unit 5750 can be without the exterior enclosure 5180 (FIG. 129). Alternatively, a counterpart of the real estate unit 5750 can include the exterior enclosure 5180 (FIG. 129) or a comparable structure.

[0456] FIG. 166 is a cross-sectional top plan view of a real estate unit 5760 in accordance with another embodiment of the present technology including the interior space 5138 within the commercial building 5100 taken along the line I-I in FIG. 126 with the interior space 5138 in the second state. The real estate unit 5760 can be configured at least primarily as a rentable assembly unit. For example, the real estate unit 5760 can be configured to accommodate parties, classes, etc. Like the real estate unit 5750 (FIG. 165), the real estate unit 5760 can be without the exterior enclosure 5180 (FIG. 129). Alternatively, a counterpart of the real estate unit 5760 can include the exterior enclosure 5180 (FIG. 129) or a comparable structure. The real estate unit 5760 can include a dock 5762 that does not include the trash bin 5206 (FIG. 129), the

recycling bin 5208 (FIG. 129), and the laundry bin 5210 (FIG. 129) of the real estate unit 5162 (FIG. 129), but is otherwise the same as or similar to the dock 5188 (FIG. 129). FIG. 167 is a cross-sectional top plan view of a real estate unit 5770 in accordance with another embodiment of the present technology including the interior space 5138 within the commercial building 5100 taken along the line I-I in FIG. 126 with the interior space 5138 in the second state. The real estate unit 5770 can be configured at least primarily as a combined lodging and rentable office unit. For example, the real estate unit 5770 can include partitions 5772 that close off the bed 5276 during work hours.

[0457] In some cases, multiple real estate units in accordance with embodiments of the present technology are operably associated with one another in a real estate complex and/or a real estate network. In other cases, the real estate units can be stand-alone. FIGS. 168-173 illustrate two examples of real estate complexes in accordance with embodiments of the present technology. FIG. 168 is a front profile view of a block 5800 of an urban area. FIG. 169 is a cross-sectional top plan view of commercial buildings 5802 (individually identified as commercial buildings 5802a-5802i) at the block 5800 taken along the line J-J in FIG. 168. The commercial buildings 5802 can include interior spaces 5804 (individually identified as interior spaces 5804a-5804m). In FIG. 169, the interior spaces 5804 are shown in the first state. The block 5800 can include a sidewalk 5806 encircling the commercial buildings 5802, and the block 5800 can further include an alley 5808. The commercial buildings 5802a-5802i can include respective storefronts 5810 (individually identified as storefronts 5810a-5810i) facing the sidewalk 5806, and respective back walls 5812 (individually identified as back walls 5812a-5812i) facing the alley 5808. In the illustrated embodiment, the alley 5808 is a through alley. In other embodiments, a counterpart of the alley 5808 can be a blind alley. With reference again to FIG. 169, the commercial buildings 5802 can be in two groups at opposite respective sides of the alley 5808. Within the alley 5808, the block 5800 can include dumpsters 5814 individually serving one or more of the commercial buildings 5802a-5802i. The commercial buildings 5802 can include back doors 5816 and openings 5818 similar to the back door 5132 and opening 5134 described above.

[0458] FIG. 170 is a cross-sectional top plan view of the commercial buildings 5802 taken along the line J-J in FIG. 168 and showing a real estate complex 5820 in accordance with an embodiment of the present technology. The real estate complex 5820 can include real estate units 5822 (individually identified as real estate units 5822a-5822m) including the interior spaces 5804a-5804m, respectively, in the second state. The real estate units 5822 can have some or all of the features of the real estate units 5162, 5490, 5700, 5720, 5750, 5760, 5770 described above. For example, the real estate units 5822a-5822m can respectively include reusable bathrooms (not shown) similar to the bathrooms 5164, 5724 described above. These reusable bathrooms can be tethered to corresponding building bathrooms (not shown) similar to the first and second building bathrooms 5110, 5112 described above. Alternatively or in addition, the real estate units 5822a-5822m can include docks (not shown) similar to the docks 5188, 5701, 5762 described above. For clarity of illustration, most details of the real estate units 5822 are not shown in FIG. 170. The features of

the real estate units **5822a-5822m** can differ. For example, in the illustrated embodiment, the real estate units **5822l, 5822m** include courtyards **5824**, whereas the real estate units **5822a-5822k** do not. Furthermore, in the illustrated embodiment, the commercial buildings **5802d-5802h** respectively include multiple real estate units **5822**, the commercial buildings **5802a, 5802b** respectively include single real estate units **5822**, and the commercial buildings **5802c, 5802i** include no real estate units **5822**. In other embodiments, a counterpart of the real estate complex **5820** can have other distributions of counterparts of the real estate units **5822**.

[0459] As shown in FIG. 170, the back walls **5812** can be retrofitted to accommodate additional real estate units **5822**. For example, the real estate units **5822f, 5822g, 5822h, 5822j** can be at respective existing openings **5818**, and the real estate units **5822a-5822e, 5822i, 5822k-5822m** can be at respective new (e.g., cut) openings **5826**. Other modifications of the back walls **5812** can be made to serve continuing operations within the commercial buildings **5802** other than operations associated with the real estate units **5822**. For example, the back wall **5812g** can be retrofitted to include a new back door **5827**. The alley **5808** can be closed off to automobile traffic to form a common area for the real estate complex **5820**. The real estate complex **5820** can include gates **5828** (individually identified as gates **5828a, 5828b**) at opposite respective ends of the alley **5808**. The dumpsters **5814** can be relocated to portion of the alley **5808** outside the gate **5828a**. In some embodiments, the alley **5808** is at least substantially reversibly closed off. For example, the alley **5808** can be closed off during certain hours (e.g., by closing the gates **5828**) and reopened during other hours (e.g., by opening the gates **5828**). In a particular embodiment, the real estate complex **5820** is at least primarily used as a hotel, the alley **5808** is at least substantially reversibly closed off at night, and the alley **5808** is reopened during the day. In other embodiments, the alley **5808** can be at least substantially reversibly closed off until the real estate complex **5820** is decommissioned, permanently closed off, not closed off, or managed in another manner.

[0460] FIG. 171 is a front profile view of a mini-storage complex **5850**. FIG. 172 is a cross-sectional top plan view of mini-storage buildings **5852** (individually identified as mini-storage buildings **5852a-5852c**) within the mini-storage complex **5850** taken along the line K-K in FIG. 171. The mini-storage buildings **5852** can include interior spaces **5854**. In FIG. 172, the interior spaces **5854** are shown in the first state. In the illustrated embodiment, each of the interior spaces **5854** includes three mini-storage units **5855**. In other embodiments, the interior spaces **5854** can have other sizes. With reference again to FIG. 171, the mini-storage buildings **5852** can further include openings **5856** similar to the opening **5134** described above, a load-bearing central wall **5858**, and rows of non-load-bearing dividing walls **5860** perpendicular to the central wall **5858**. The individual openings **5856** can serve the individual mini-storage units **5855**, respectively. The mini-storage units **5855** of a given one of the mini-storage buildings **5852** can be divided by the dividing walls **5860** and arranged in rows on opposite sides of the central wall **5858** of the given one of the mini-storage buildings **5852**. Between the mini-storage buildings **5852**, the mini-storage complex **5850** can include alleys **5862** (individually identified as alleys **5862a, 5862b**). The alleys **5862** and the openings **5856** can be configured for conve-

nient loading and unloading of the mini-storage units **5855**. For example, the mini-storage units **5855** can be drive-up mini-storage units.

[0461] FIG. 173 is a cross-sectional top plan view of the mini-storage buildings **5852** taken along the line K-K in FIG. 171 and showing a real estate complex **5864** in accordance with an embodiment of the present technology. The real estate complex **5864** can include real estate units **5866** including the interior spaces **5854**, respectively, in the second state. The real estate units **5866** can have some or all of the features of the real estate units **5162, 5490, 5700, 5720, 5750, 5760, 5770** described above. For example, the real estate units **5866** can respectively include courtyards **5868** similar to the courtyard **5178** described above. As another example, the real estate units **5866** can respectively include compartmentalizing assemblies **5870** similar to the compartmentalizing assembly **5185** described above. As another example, the real estate units **5866** can respectively include docks **5872** similar to the docks **5188, 5701, 5762** described above. As yet another example, the real estate units **5866** can respectively include reusable bathrooms (not shown) similar to the bathrooms **5164, 5724** described above. For clarity of illustration, most details of the real estate units **5866** are not shown in FIG. 173.

[0462] FIG. 174 is a block diagram illustrating a method **5900** for making a given real estate unit in accordance with an embodiment of the present technology. For simplicity, aspects of the method **5900** will be further described primarily in the context of certain ones of the real estate units **5162, 5490, 5700, 5720, 5750, 5760, 5770, 5822, 5866** described herein. It should be understood, however, that the method **5900**, when suitable, and/or portions of the method **5900**, when suitable, can be practiced with respect to other ones of the real estate units **5162, 5490, 5700, 5720, 5750, 5760, 5770, 5822, 5866** described herein as well as with respect to other real estate units in accordance with embodiments of the present technology. Similarly, although the method **5900** may be described primarily in the context of certain ones of the commercial buildings **5100, 5802** and the mini-storage buildings **5852**, it should be understood that the method **5900**, when suitable, and/or portions of the method **5900**, when suitable, can be practiced with respect to other ones of the commercial buildings **5100, 5802** and the mini-storage buildings **5852** as well as with respect to other compatible buildings.

[0463] With reference to FIGS. 129-174 together, the method **5900** can include leasing the interior space **5138** (block **5902**) or establishing control of the interior space **5138** in another manner. For example, the interior space **5138** can be leased from an owner of the commercial building **5100** for provision of lodging, residential space, office space, assembly space, and/or another type of space to third parties. In some cases, the interior space **5138** is leased or purchased separately from the interior space **5140**. For example, the interior space **5138** may be underutilized by an ongoing operation at the interior space **5140** such the ongoing operation is not adversely affected to a significant degree by losing control over the interior space **5138**. In other cases, the interior spaces **5138, 5140** can be leased or purchased together. After control of the interior space **5138** is established, the method **5900** can include retrofitting the interior space **5138** to accommodate an alternative use (e.g., a lodging use, a residential use, an office use, and/or an

assembly use). The commercial building **5100** can be one that was originally constructed at least 20 years before this retrofitting occurs.

[0464] In at least some embodiments, the method **5900** includes at least substantially reversibly retrofitting the interior space **5138** to accommodate the alternative use. In these and other embodiments, it may be economically feasible to lease and retrofit the interior space **5138** with little or no long-term commitment from an owner of the commercial building **5100**. This can be due to the reusability of a significant amount of the capital associated with retrofitting the interior space **5138** and/or for other reasons. Accordingly, in some embodiments, the interior space **5138** is leased month-to-month. In other embodiments, the interior space **5138** can be leased under terms that allow the owner of the commercial building **5100** to terminate the lease with notice of less than one month. In still other embodiments, the interior space **5138** can be controlled by an operator of the real estate unit **5162** under other lease arrangements, under non-lease contractual arrangements (e.g., franchising), or under fee simple ownership. After direct or indirect control over the interior space **5138** is established, the method **5900** can include subleasing (or leasing if the commercial building **5100** is owned in fee simple) the interior space **5138** to a renter. When the interior space **5138** is leased separately from other portions of the commercial building **5100**, an owner of the commercial building **5100** can occupy or otherwise use the other portions of the commercial building **5100** while the interior space **5138** is leased to third parties. When the interior space **5138** is leased together with other portions of the commercial building **5100**, an operator of the real estate unit **5162** can separately lease the interior space **5138** as the real estate unit **5162** and some or all of the other portions of the commercial building **5100** as another real estate unit.

[0465] The method **5900** can further include transporting modules (e.g., the bathroom **5164**, the barrier **5172**, the exterior wall components **5182**, the interior wall components **5187**, and/or the dock **5188**) to the commercial building **5100** (block **5904**). Some or all of the modules can be transported in a compact state. For example, the bathroom **5164** can be transported in its disassembled state. As another example, the barrier **5172** can be transported in its folded state. As yet another example, the exterior wall components **5182** and/or the interior wall components **5187** can be transported in their disassembled states. Furthermore, the shells **5408** and/or the shells **5470** can be transported in their collapsed states. The method **5900** can further include receiving the modules at the commercial building **5100** (block **5906**). For example, the bathroom **5164**, the barrier **5172**, the exterior wall components **5182**, the interior wall components **5187**, the dock **5188**, and/or other suitable components of the real estate unit **5162** can be received at the commercial building **5100** in an at least substantially pre-manufactured state.

[0466] After the bathroom **5164** is received at the commercial building **5100**, the method **5900** can include installing the bathroom **5164** (block **5908**), such as by disposing (e.g., removably disposing) the bathroom **5164** within the commercial building **5100**. In at least some embodiments, installing the bathroom **5164** includes assembling (e.g., at least substantially reversibly assembling) a set of reusable bathroom modules (e.g., the floor module **5500**, the ceiling module **5502**, and the wall modules **5504**) to form an

assembly of reusable bathroom modules. For example, the method **5900** can include disposing (e.g., removably disposing) the floor module **5500** at a suitable location within the interior space **5138**, and connecting (e.g., removably connecting) the wall modules **5504** to the floor module **5500** at a perimeter portion of the floor module **5500**. The bathroom **5164** can be disposed within the interior space **5138** such that the floor level of the bathroom **5164** is at least 0.5 meter higher than the underlying floor level of the interior space **5138**. The method **5900** can further include installing (e.g., removably installing) furnishings within the interior space **5138** (block **5910**). For example, when the commercial building **5100** is retrofitted for lodging and/or residential use at the interior space **5138**, the method **5900** can include disposing (e.g., removably disposing) lodging and/or residential furnishings within the interior space **5138**. As another example, when the commercial building **5100** is retrofitted for office use at the interior space **5138**, the method **5900** can include disposing (e.g., removably disposing) office furnishings within the interior space **5138**.

[0467] The method **5900** can also include installing the barrier **5172** (block **5912**). For example, the method **5900** can include disposing (e.g., removably and stationarily disposing) the barrier **5172** between the interior space **5138** and the second outdoor area **5126**. The barrier **5172** can be installed such that a path permitting a renter of the real estate unit **5162** to move between the interior space **5138** and the second outdoor area **5126** extends through the opening **5134** and through the barrier **5172**. Installing the barrier **5172** can include installing the barrier **5172** in an unfolded state. In addition or alternatively, installing the barrier **5172** can include at least substantially reversibly assembling a set of barrier modules to form an assembly of barrier modules. In at least some embodiments, installing the barrier **5172** includes fastening (e.g., removably fastening) the barrier **5172** to the exterior wall **5104c**. For example, the barrier **5172** can be bolted, screwed, and/or clamped to the exterior wall **5104c**. Installing the barrier **5172** can further include forming the first mass of self-leveling material **5300**, such as integrally along most or all of an overall footprint of the barrier **5172**. The barrier **5172** can then be installed over the first mass of self-leveling material **5300**. Installing the barrier **5172** can include inserting the barrier **5172** into the opening **5134**. Alternatively or in addition, installing the barrier **5172** can include overlaying the barrier **5172** over the opening **5134**. For example, installing the barrier **5172** can include compressing the gasket **5318** between the frame **5310** and the exterior wall **5104c**. In conjunction with installing the barrier **5172** or separately, the method **5900** can include stowing the overhead door **5136** within the interior space **5138** in its open state (block **5914**). In at least some cases, this includes disabling (e.g., reversibly disabling) a control for the overhead door **5136**.

[0468] As shown in FIG. 174, the method **5900** can include installing the dock **5188** (block **5916**). For example, the method **5900** can include disposing (e.g., removably disposing) the dock **5188** outside the interior space **5138**. In conjunction with installing the dock **5188** or separately, the method **5900** can include disposing (e.g., removably disposing) the water reservoir **5196**, the battery **5204**, the black-water tank **5194**, and/or other suitable modules outside the interior space **5138**. These modules can be connected (e.g., removably connected) to the dock **5188** and/or to other suitable components of the real estate unit **5162**. For

example, the method 5900 can include electrically connecting the battery 5204 and the electrical outlet 5222. This can include operating the electrical quick-connect coupling 5254. As another example, the method 5900 can include connecting (e.g., removably connecting) the water reservoir 5196 and the hose bibb 5160. In at least some embodiments, the commercial building 5100 is retrofitted for off-grid operation with respect to an electrical supply to the interior space 5138 and/or retrofitted for off-grid operation with respect to disposal of blackwater from the toilet 5168.

[0469] The method 5900 can further include tethering the bathroom 5164 to the dock 5188, the sewage hookup 5704, the plumbing drain trunk line 5146, and/or the water supply trunk line 5148 (block 5918). For example, the method 5900 can include operably connecting the bathroom 5164 (e.g., the sink 5166, the toilet 5168, and the bath/shower 5170) and the water reservoir 5196 via the cold water supply line 5228. Alternatively or in addition, the method 5900 can include operably connecting the bathroom 5724 (e.g., the sink 5166, the toilet 5168, and the bath/shower 5170) and the water supply trunk line 5148 via the water supply lines 5732 (e.g., also via the sink hookup). As another example, the method 5900 can include operably connecting the bathroom 5164 (e.g., the toilet 5168) and the blackwater tank 5194 via the blackwater drain line 5226. Alternatively or in addition, the method 5900 can include operably connecting the bathroom 5724 (e.g., the sink 5166, the toilet 5168, and the bath/shower 5170) and the plumbing drain trunk line 5146 via the plumbing drain line 5730 (e.g., also via the toilet hookup 5722). Furthermore, the method 5900 can include operably connecting the bathroom 5164 (e.g., the toilet 5168) and the sewage hookup 5704 via the blackwater drain line 5702. As yet another example, the method 5900 can include operably connecting the bathroom 5164 (e.g., the bath/shower drain 5580) and the greywater filter 5200 via the greywater drain line 5232.

[0470] Operably connecting the bathroom 5164 and the blackwater tank 5194 can include operating the blackwater drain quick-connect coupling 5252 to fluidically connect the bathroom 5164 and the blackwater tank 5194. In addition or alternatively, operably connecting the bathroom 5164 and the blackwater tank 5194 can include disposing (e.g., removably disposing) the blackwater drain line 5226 between the bathroom 5164 and the blackwater tank 5194. This can include extending the blackwater drain line 5226 above-floor between the bathroom 5164 and the blackwater tank 5194, such as disposing a first portion of the blackwater drain line 5226 above-floor within the commercial building 5100 and disposing a second portion of the blackwater drain line 5226 above-ground outside the commercial building 5100. Similarly, operably connecting the bathroom 5724 and the plumbing drain trunk line 5146 can include disposing (e.g., removably disposing) the plumbing drain line 5730 between the bathroom 5724 and the toilet hookup 5722. This can include extending the plumbing drain line 5730 above-floor within the commercial building 5100 between the bathroom 5724 and the toilet hookup 5722, such as extending the plumbing drain line 5730 above-floor at least two meters within the commercial building 5100 between the bathroom 5724 and the toilet hookup 5722. Also similarly, operably connecting the bathroom 5164 and the sewage hookup 5704 can include disposing (e.g., removably disposing) the blackwater drain line 5702 between the bathroom 5164 and the sewage hookup 5704. This can include extend-

ing the blackwater drain line 5702 above-floor between the bathroom 5164 and the sewage hookup 5704, such as disposing a first portion of the blackwater drain line 5702 above-floor within the commercial building 5100 and disposing a second portion of the blackwater drain line 5702 above-ground outside the commercial building 5100.

[0471] The method 5900 can further include installing the exterior enclosure 5180 (block 5920) outside the commercial building 5100. In at least some cases, this is part of retrofitting the second outdoor area 5126 from being a driveway and/or parking area to being the courtyard 5178. Installing the exterior enclosure 5180 can include forming the second mass of self-leveling material 5302, such as integrally along most or all of an overall footprint of the exterior enclosure 5180. After the second mass of self-leveling material 5302 is formed, installing the exterior enclosure 5180 can include disposing (e.g., removably disposing) the exterior wall components 5182 over the second mass of self-leveling material 5302. The exterior wall components 5182 can be disposed at a perimeter portion of the courtyard 5178. Disposing the exterior wall components 5182 can include stacking and/or interlocking the exterior wall components 5182. This can be done, for example, while the shells 5408 are in an expanded state. Installing the exterior enclosure 5180 can further include differentially planting the apertures 5402 to form the brand identifier 5404. This can be done using a template after all or most of the exterior wall components 5182 of the exterior enclosure 5180 have been installed. In at least some embodiments, the method 5900 includes assembling the exterior wall components 5182, such as by removably disposing the packages 5410 within the shells 5408 while the shells 5408 are in their expanded state.

[0472] As shown in FIG. 174, the method 5900 can include installing the compartmentalizing assembly 5185 within the commercial building 5100 (block 5922). Installing the compartmentalizing assembly 5185 can include disposing (e.g., removably disposing) the liner 5456 within the commercial building 5100, such as over the finished floor surface 5450. Disposing the liner 5456 can include adhesively disposing the liner 5456 or disposing the liner 5456 in another manner. Installing the compartmentalizing assembly 5185 can further include forming the third mass of self-leveling material 5458 over the liner 5456, such as integrally along most or all of an overall footprint of the compartmentalizing assembly 5185. After the third mass of self-leveling material 5458 is formed, installing the compartmentalizing assembly 5185 can include disposing (e.g., removably disposing) the interior wall components 5187 over the third mass of self-leveling material 5458. Disposing the interior wall components 5187 can include stacking and/or interlocking the interior wall components 5187. This can be done, for example, while the shells 5470 are in an expanded state. Installing the compartmentalizing assembly 5185 can further include assembling the interior wall components 5187, such as by removably disposing the batting 5460 within the shells 5470 while the shells 5470 are in the expanded state. In at least some embodiments, the method 5900 further includes disposing (e.g., removably disposing) the ceiling panels 5492, the ceiling beams 5493, and/or other suitable ceiling components within the commercial building 5100. For example, the ceiling panels 5492 and the ceiling beams 5493 can be disposed such that the ceiling beams 5493 support the ceiling panels 5492.

[0473] FIG. 175 is a block diagram illustrating a method 5950 for operating a given real estate unit in accordance with an embodiment of the present technology. As with the method 5900, aspects of the method 5950 will be further described primarily in the context of certain ones of the real estate units 5162, 5490, 5700, 5720, 5750, 5760, 5770, 5822, 5866 described herein. It should be understood, however, that the method 5950, when suitable, and/or portions of the method 5950, when suitable, can be practiced with respect to other ones of the real estate units 5162, 5490, 5700, 5720, 5750, 5760, 5770, 5822, 5866 described herein as well as with respect to other real estate units in accordance with embodiments of the present technology. Similarly, although the method 5950 may be described primarily in the context of certain ones of the commercial buildings 5100, 5802 and the mini-storage buildings 5852, it should be understood that the method 5950, when suitable, and/or portions of the method 5950, when suitable, can be practiced with respect to other ones of the commercial buildings 5100, 5802 and the mini-storage buildings 5852 as well as with respect to other compatible buildings.

[0474] With reference to FIGS. 129-175 together, the method 5950 can be practiced in connection with providing lodging, rentable residential space, rentable office space, rentable assembly space, and/or another type of space at the interior space 5138. The method 5950 can include leasing the interior space 5138 (block 5952) or maintaining control of the interior space 5138 in another manner, such as one of the manners described above in connection with establishing control of the interior space 5138 in the method 5900. The method 5950 can further include providing renter access to the interior space 5138 (block 5954), such as through the opening 5134 and through the barrier 5172. In this way, the method 5950 can include providing renter access to furnishings at the interior space 5138 corresponding to the use type. For example, the method 5950 can include providing renter access to lodging and/or residential furnishings (e.g., the bed 5276) within the interior space 5138 when the real estate unit 5162 is operated as a lodging and/or residential unit. As another example, the method 5950 can include providing renter access to office furnishings (e.g., the workstation 5752) within the interior space 5138 when the real estate unit 5162 is operated as an office unit. Providing renter access to the interior space 5138 can occur by leasing the interior space 5138 to the renter, subleasing the interior space 5138 to the renter, providing renter access to the interior space 5138 through a membership agreement, providing renter access to the interior space 5138 through a short-term use arrangement (e.g., a lodging arrangement), and/or providing renter access to the interior space 5138 in another manner. Similarly, the method 5950 can include providing renter access to the bathroom 5164 (block 5956) and providing renter access to the courtyard 5178 (block 5958).

[0475] The method 5950 can further include flowing sewage from the bathroom 5164 (block 5960), such as toward the blackwater tank 5194, toward the sewage hookup 5704, and/or toward the plumbing drain trunk line 5146. For example, the method 5950 can include flowing backwater above-floor and then above-ground from the toilet 5168 toward the blackwater tank 5194 via the blackwater drain line 5226. As another example, the method 5950 can include flowing sewage (e.g., blackwater) above-floor and then above-ground from the bathroom 5164 toward the sewage hookup 5704 via the blackwater drain line 5702 or a

combined blackwater/greywater drain line. As another example, the method 5950 can include flowing sewage (e.g., blackwater) above-floor at least two meters within the commercial building 5100 from the bathroom 5724 toward the plumbing drain trunk line 5146 via the plumbing drain line 5730 and via the toilet hookup 5722. As yet another example, the method 5950 can include flowing greywater from the bath/shower drain 5580 toward the greywater filter 5200 via the greywater drain line 5232. Using the greywater or in another manner, the method 5950 can include growing the vegetation 5184 in the exterior wall components 5182, such as in the planning medium 5306.

[0476] The method 5950 can also include swapping the blackwater tank 5194 with a less full counterpart of the blackwater tank 5194 to remove sewage from the real estate unit 5162 (block 5962). This can include operating the blackwater drain quick-connect coupling 5252 to disconnect the blackwater tank 5194 from fluidic connection with the bathroom 5164 and removing the blackwater tank 5194 from the dock 5188. Swapping the blackwater tank 5194 can be at least partially in response to receiving an indication of a fullness of the blackwater tank 5194 from the sensor 5212a. The method 5950 can include weighing the blackwater tank 5194 and/or determining a level of sewage within the blackwater tank 5194 to determine the fullness. In addition to or instead of swapping the blackwater tank 5194, the method 5950 can include operating a mobile pump to at least partially pump out the blackwater tank 5194 and thereby remove sewage from the real estate unit 5162. In at least some embodiments, the method 5950 includes operating the real estate unit 5162 at least substantially off-grid with respect to disposal of blackwater from the toilet 5168.

[0477] The method 5950 can further include flowing water toward the bathroom 5164 (block 5964). For example, the method 5950 can include flowing water from the water reservoir 5196 toward the bathroom 5164 via the cold water supply line 5228. Furthermore, the method 5950 can include flowing water from the hose bibb 5160 toward the water reservoir 5196 to at least partially replenish a water supply to the real estate unit 5162. In addition or alternatively, the method 5950 can include flowing water from the water supply trunk line 5148 toward the bathroom 5724, such as via the water supply lines 5732 and via the sink hookup. The method 5950 can also include operating the heating system 5497 to heat the airspace 5496 and thereby provide below-room-temperature baseline heating to the interior space 5138 via the ceiling 5495. The method 5950 can further include operating the supplemental heater 5498 to provide supplemental heating to the interior space 5138.

[0478] The method 5950 can include providing electricity to the interior space 5138 (block 5966). For example, the method 5950 can include using the battery 5204 to power an appliance within the interior space 5138 via the electrical outlet 5222. The method 5950 can further include swapping the battery 5204 with a less depleted counterpart of the battery 5204 to at least partially replenish an electrical supply to the real estate unit 5162 (block 5968). This can include operating the electrical quick-connect coupling 5254 to disconnect the battery 5204 from electrical connection with the electrical outlet 5222 and removing the battery 5204 from the dock 5188. Swapping the battery 5204 can be at least partially in response to receiving an indication of a depleted state of the battery 5204 from the sensor 5212c. In addition to or instead of swapping the battery 5204, the



method **5950** can include operating a mobile recharging station to at least partially recharge the battery **5204** and thereby at least partially replenish an electrical supply to the real estate unit **5162**. In at least some embodiments, the method **5950** includes operating the real estate unit **5162** at least substantially off-grid with respect to an overall electrical supply to the interior space **5138**. Furthermore, the method **5950** can include decommissioning the real estate unit **5162** after a period of operating the real estate unit **5162**. Decommissioning the real estate unit **5162** can include suitable operations of the method **5900** in reverse. For example, decommissioning the real estate unit **5162** can include disassembling the exterior enclosure **5180**, disassembling the exterior wall components **5182**, composting the packages **5410**, and collapsing the shells **5408**.

[**0479**] As a person having ordinary skill in the art will recognize, numerous permutations of the features disclosed herein are within the scope of the present technology. For example, the real estate unit **5750** can include the dock **5762**. As yet another example, the exterior enclosure **5180** can be added to the real estate unit **5760**. Furthermore, although features of the present technology are described herein primarily in the context of loading, storage, parking, and vehicle-servicing spaces, it should be understood that the same or similar features can be implemented in other suitable contexts. For example, when suitable, features of the retrofitted loading, storage, parking, and vehicle-servicing spaces disclosed herein can be implemented at a storefront space (e.g., the interior space **5140**). In a particular example, features of the real estate unit **5162** can be implemented at the interior space **5140** with the storefront **5124** taking the place of the barrier **5172**.

[**0480**] In another embodiment of the present technology, a real estate unit includes an interior space within a commercial building, a reusable bathroom removably disposed within the commercial building, and reusable wall components also removably disposed within the commercial building. The bathroom, the wall components, and/or other suitable components of the real estate unit can be configured for low-cost deployment, removal, and redeployment. Use of these components can allow revenue from operating the real estate unit to exceed costs associated with transitioning the space within the commercial building from its purpose-built use (e.g., retail, office, and/or restaurant use) to an alternative use (e.g., lodging, residential, office, and/or assembly use) even if the real estate unit is only operated for a short period of time (e.g., one year or less). Thus, an operator of a network of real estate units may lease a space within a commercial building short-term (e.g., monthly) from an owner of the commercial building and retrofit the space for provision of rentable space to third parties with little or no risk of incurring significant economic loss. Even if the owner terminates the lease or if demand for the newly created real estate unit is lower than expected, most of the capital associated with retrofitting the space can be recoverable. Furthermore, capital embodied in the components can be readily relocatable in response to long-term and short-term (e.g., seasonal) changes in demand.

[**0481**] Among various types of real estate, commercial buildings having storefront spaces are particularly well suited to be retrofitted to accommodate alternative uses. For example, these types of spaces tend to be unfurnished or sparsely furnished in their purpose-built uses, which can facilitate retrofitting. As another example, these types of

spaces typically have windows that provide abundant nature light and doors that provide direct access to outdoor areas. These features can facilitate convenient guest access and compliance with code requirements for egress. As yet another example, storefront spaces are often unused for periods of months or even years between tenancies. Unlike residential apartments, storefront spaces are typically leased for many years at a time. Leasing a storefront space is often a major commitment for both a tenant and a landlord, which leads to long periods of vacancy between tenancies while both sites search for the right match. During these periods of vacancy, the value of commercial spaces is typically wasted. Commercial buildings compatible with embodiments of the present technology can have other desirable attributes in addition to or instead of the foregoing attributes. Furthermore, embodiments of the present technology can be implemented in suitable other types of real estate. For example, in a warehouse or other type of commercial building having a ground-floor exterior wall that does not serve as a storefront (i.e., that does not facilitate interaction with the public), an interior space adjacent to the exterior wall can be substituted for one of the storefront spaces described herein.

[**0482**] FIG. **176** is a back profile view of a commercial building **6100** disposed between neighboring commercial buildings **6101** (individually identified as neighboring commercial buildings **6101a** and **6101b**). FIG. **177** is a cross-sectional top plan view of the commercial building **6100** taken along the line L-L in FIG. **176**. With reference to FIGS. **176** and **177** together, the commercial building **6100** can include a permanent roof **6102**, permanent exterior walls **6104** (individually identified as exterior walls **6104a-6104d**), and permanent interior walls **6106**. The exterior walls **6104** can define an interior region **6108** of the commercial building **6100**. Within the interior region **6108**, the commercial building **6100** can include a first building bathroom **6110** (e.g., a men's bathroom), a second building bathroom **6112** (e.g., a women's bathroom), and a utility room **6114**. The commercial building **6100** can further include interior doors **6116** (individually identified as interior doors **6116a-6116c**) opening into the first building bathroom **6110**, the second building bathroom **6112**, and the utility room **6114**, respectively.

[**0483**] The exterior wall **6104a** can be between the interior region **6108** and a first outdoor area **6118** that includes a sidewalk **6120** and a street **6122**. At the exterior wall **6104a**, the commercial building **6100** can include a storefront **6124** between the interior region **6108** and the first outdoor area **6118**. The exterior wall **6104c** can be between the interior region **6108** and a second outdoor area **6126** that includes a yard **6128** and an alley **6130**. At the exterior wall **6104c**, the commercial building **6100** can include a back door **6132** between the interior region **6108** and the second outdoor area **6126**. The yard **6128** can be paved and/or otherwise configured to facilitate automobile parking. The commercial building **6100** can include an interior space **6140** at a portion of the interior region **6108** nearest to the storefront **6124**. For simplicity of illustration, fixtures, and furnishings within the interior space **6140** are not shown. The interior space **6140** can be at a ground floor of the commercial building **6100**. In at least some cases, the interior space **6140** is a purpose-built office, retail, and/or restaurant space. In FIG. **177**, the interior space **6140** is shown in a first state, which can be an original, pre-retrofit, or similar state. A primary egress path

from the interior space **6140** to the first outdoor area **6118** can extend through the storefront **6124**.

[0484] As shown in FIG. 177, the first and second building bathrooms **6110**, **6112** can include respective toilets **6142** and respective sinks **6144**. The commercial building **6100** can include a plumbing drain trunk line **6146** and a water supply trunk line **6148** operably associated with the first and second building bathrooms **6110**, **6112**. The plumbing drain trunk line **6146** can follow a drainage route from the first and second building bathrooms **6110**, **6112** toward a sewage destination (e.g., a municipal sewer) (not shown). Similarly, the water supply trunk line **6148** can follow a supply route from a water source (e.g., a municipal water source) (not shown) toward the first and second building bathrooms **6110**, **6112**. The plumbing drain trunk line **6146** can be below-ground, such as positioned below a ground surface outside the commercial building **6100** along the drainage route. In addition or alternatively, the plumbing drain trunk line **6146** can be below-floor, such as positioned below a finished floor surface of the commercial building **6100** along the drainage route. Similarly, the water supply trunk line **6148** can be below-ground, such as positioned below a ground surface outside the commercial building **6100** along the supply route. In addition or alternatively, the water supply trunk line **6148** can be below-floor, such as positioned below a finished floor surface of the commercial building **6100** along the supply route.

[0485] The plumbing drain trunk line **6146** and/or the water supply trunk line **6148** can be buried or otherwise permanently installed within a basement, a crawlspace, a chase, a foundation, a volume of dirt, or another suitable environment directly below the first and second building bathrooms **6110**, **6112** and/or directly below an area around the first and second building bathrooms **6110**, **6112**. Furthermore, the plumbing drain trunk line **6146** can be sloped to convey liquid waste (e.g., sewage) from the first and second building bathrooms **6110**, **6112** toward the sewage destination at least partially by gravity. The water supply trunk line **6148** can be configured to convey potable water from the water source to the first and second building bathrooms **6110**, **6112** under pressure. In at least some cases, the commercial building **6100** includes a building water heater **6150** operably associated with the water supply trunk line **6148**. In these cases, the water supply trunk line **6148** can bifurcate into branches (not shown) that supply cold and hot water, respectively, to the first and second building bathrooms **6110**, **6112**, such as at the sinks **6144**. The building water heater **6150** can be operably associated with a branch of the water supply trunk line **6148** that supplies hot water to the first and second building bathrooms **6110**, **6112**. As shown in FIG. 177, the building water heater **6150** can be disposed within the utility room **6114**. The commercial building **6100** can include a furnace **6152** and an electrical panel **6154** also disposed within the utility room **6114**. The commercial building **6100** can further include a main electrical supply line **6156** through which the electrical panel **6154** is operably connected to an electrical source (e.g., a municipal power source) (not shown). Electrical lines and fixtures downstream from the electrical panel **6154** are omitted for clarity of illustration. As shown in FIG. 177, the commercial building **6100** can include a hose bibb **6160** at an exterior side of the exterior wall **6104c**.

[0486] FIG. 178 is an enlarged view of a portion of FIG. 177. FIG. 179 is a cross-sectional top plan view of a portion

of the commercial building **6100** corresponding to the portion of FIG. 177 shown in FIG. 178 and showing a real estate unit **6162** in accordance with an embodiment of the present technology. The real estate unit **6162** can include the interior space **6140** retrofitted (e.g., at least substantially reversibly retrofitted) for an alternative use. In FIG. 179, the interior space **6140** is shown in a second state, which can be a non-original, post-retrofit, or similar state. In the illustrated embodiment, the interior space **6140** is retrofitted for lodging and/or residential use. In other embodiments, the interior space **6140** can be retrofitted for another suitable alternative use, such as office, and/or assembly use in addition to or instead of lodging and/or residential use. With reference again to FIG. 179, the retrofitting of the interior space **6140** can occur well after (e.g., at least 20 years after) the commercial building **6100** was originally constructed.

[0487] The real estate unit **6162** can include a variety of retrofits (e.g., at least substantially reversible retrofits) to the commercial building **6100** that change at least a portion of the commercial building **6100** from being well suited a purpose-built use to being well suited for an alternative use. In at least some cases, reversal of all or a portion of these retrofits returns the portion of the commercial building **6100** from being well suited for the alternative use to again being well suited for the purpose-built use. Examples of reversible retrofits include removing, installing, and relocating furniture and fixtures with little or no associated demolition of the exterior and interior walls **6104**, **6106** or other permanent fabric of the commercial building **6100**. The interior space **6140** and other suitable portions of the commercial building **6100** can be at least substantially reversibly retrofitted to accommodate the real estate unit **6162**. For example, a total cost of reversible retrofits to the commercial building **6100** (e.g., a present value of at least substantially reversibly installed reusable components of the real estate unit **6162**) for a given transformation of the interior space **6140** from being well suited for a purpose-built use to being well suited for an alternative use can be greater (e.g., at least 50% greater or at least 100% greater) than a total cost of permanent retrofits to the commercial building **6100** (e.g. modifications to the permanent fabric of the commercial building **6100**) for the given transformation. Capital associated with the alternative use can be readily re-deployable after the alternative use becomes inactive. In some cases, the alternative use and the real estate unit **6162** are active for one year or less (e.g., six months or less) between successive transformations. In other cases, the alternative use and the real estate unit **6162** can have longer durations or even be permanent.

[0488] As shown in FIG. 179, the real estate unit **6162** can include a bathroom **6164** disposed (e.g., removably disposed) within the commercial building **6100**. The bathroom **6164** can include a sink **6166**, a toilet **6168**, and a bath/shower **6170**. In at least some embodiments, the bathroom **6164** is reusable and removably disposed within the commercial building **6100**. For example, unlike a conventional bathroom that can only be installed by heavy construction and removed by heavy demolition, the bathroom **6164** can be configured to be installed with little or no need for heavy construction and removed with little or no need for heavy demolition. Furthermore, the bathroom **6164** can be configured to be conveniently transported and reused after its removal. In the illustrated embodiment, the bathroom **6164** is an assembly of reusable bathroom modules configured for

rapid deployment into and removal from the commercial building **6100** in an at least partially disassembled state. For example, the bathroom **6164** can be made up mostly or entirely of reusable modular components. In other embodiments, a counterpart of the bathroom **6164** can be portable and configured for rapid deployment into and removal from the commercial building **6100** without significant disassembly. This deployment and removal can occur by forklift, by dolly, by operation of wheels integrated into the counterpart of the bathroom **6164**, or in another manner. In still other embodiments, a counterpart of the bathroom **6164** can have other forms.

[**0489**] The interior space **6140** can be within a compartment **6186** at least partially defined by wall components **6187** of the real estate unit **6162**. In the illustrated embodiment, the real estate unit **6162** and the compartment **6186** encompass no more than 60% of a total floor area of a ground floor of the commercial building **6100**. In other embodiments, counterparts of the real estate unit **6162** and the compartment **6186** can be larger, such as encompassing 60% to 80% or encompassing 60% to 100% of a total floor area of a ground floor of a counterpart of the commercial building **6100**. As shown in FIG. **179**, the wall components **6187** can be disposed at a perimeter portion of the compartment **6186**. The wall components **6187** and/or other suitable components of the compartmentalizing assembly **6185** can be reusable and removably disposed within the commercial building **6100**. As discussed in further detail below, the wall components **6187** can be stacked and/or interlocking.

[**0490**] In the illustrated embodiment, the real estate unit **6162** is configured to be mostly off-grid (i.e., independent of service connections to local utilities). For example, the real estate unit **6162** can be configured to operate at least substantially off-grid with respect to an overall electrical supply to the interior space **6140**, with respect to disposal of blackwater (e.g., wastewater from the toilet **6168**), and/or in other respects. This feature of the real estate unit **6162** can be useful, for example, to avoid costs and complications associated with utility hookups, to reduce the environmental impact of the real estate unit **6162**, to facilitate efficient management of the real estate unit **6162**, to reduce costs associated with maintaining the real estate unit **6162** during periods of nonuse or low use, and/or for other reasons. In other embodiments, a counterpart of the real estate unit **6162** can be mostly or entirely on-grid (i.e., dependent on service connections to local utilities).

[**0491**] As shown in FIG. **179**, the real estate unit **6162** can include a dock **6188** disposed (e.g., removably disposed) outside the interior space **6140**. The dock **6188** can be within the interior region **6108** or outside the interior region **6108**. Furthermore, the dock **6188** can be above-floor (as illustrated), above-ground, or below-ground (e.g., disposed within a pit). At the dock **6188**, the real estate unit **6162** can include a heat pump **6190**, an exhaust filter **6192**, a blackwater tank **6194**, a water reservoir **6196**, a water heater **6198**, a greywater filter **6200**, a wireless router **6202**, a battery **6204**, a trash bin **6206**, a recycling bin **6208**, and a laundry bin **6210**. The water reservoir **6196** can be operably connected to a hose bibb (not shown) and can be configured to increase a capacity of the hose bibb to supply water to the bathroom **6164**, such as by attenuating spikes in demand for water from the bathroom **6164**. In the illustrated embodiment, the real estate unit **6162** is configured to separately manage removal and disposal of blackwater (e.g., wastewater

from the toilet **6168**) and greywater (e.g., wastewater from the sink **6166** and the bath/shower **6170**). In other embodiments, a counterpart of the real estate unit **6162** can be configured to collectively manage removal and disposal of blackwater and greywater. Accordingly, the blackwater tank **6194** can be more generally referred to as a sewage tank indicating that it can be configured to receive primarily blackwater, primarily greywater, or both blackwater and greywater.

[**0492**] With reference again to FIG. **179**, the exhaust filter **6192**, the blackwater tank **6194**, the battery **6204**, the trash bin **6206**, the recycling bin **6208**, and the laundry bin **6210** can be removably connected to the dock **6188** or otherwise removably disposed outside the interior space **6140**. Furthermore, these components can be reusable. In the illustrated embodiment, the real estate unit **6162** is configured to operate on-grid with respect to a water supply to the real estate unit **6162** (e.g., because the water reservoir **6196** is operably connected, for replenishment, to the water supply trunk line **6148** via the hose bibb), configured to be off-grid with respect to an electrical supply to the real estate unit **6162**, and configured to be off-grid with respect to disposal of blackwater from the toilet **6168**. In other embodiments, a counterpart of the real estate unit **6162** can be off-grid with respect to its water supply (e.g., because a counterpart of the water reservoir **6196** is configured to be independently refilled or swapped), on-grid with respect to its electrical supply (e.g. because a counterpart of the battery **6204** is operably connected, for recharging, to a counterpart of the electrical panel **6154**), and/or on-grid with respect its sewage disposal (e.g. because a counterpart of the blackwater tank **6194** is operably connected (e.g., for draining) to a counterpart of the plumbing drain trunk line **6146**).

[**0493**] The real estate unit **6162** can be configured to receive occasional servicing. This servicing can include collecting backwater, trash, recyclables, and laundry (e.g., for cleaning and return) from the blackwater tank **6194**, the trash bin **6206**, the recycling bin **6208**, and the laundry bin **6210**, respectively. The servicing can also include recharging the battery **6204**. In at least some cases, the blackwater tank **6194** is configured to be pumped out in situ and/or swapped for removal of blackwater from the real estate unit **6162**. Similarly, the battery **6204** can be configured to be recharged in situ and/or swapped for at least partial replenishment of an electrical supply to the real estate unit **6162**. A less-full replacement for the blackwater tank **6194**, a more-fully-charged replacement for the battery **6204**, and/or other suitable replacements for components of the real estate unit **6162** can be delivered to the real estate unit **6162** by truck or in another manner. The replaced components can be collected in the same or a different manner and transported to a central location (e.g., a station or substation; not shown) where the components can be efficiently processed (e.g., emptied, cleaned, recharged, etc.) for reuse. This delivery and collection can occur on a regular schedule (e.g., daily, every-other-day, etc.), as needed, and/or on demand.

[**0494**] As shown in FIG. **179**, the dock **6188** can include sensors **6212** (individually identified as sensors **6212a-6212f**) operably connected to the blackwater tank **6194**, the water reservoir **6196**, the battery **6204**, the trash bin **6206**, the recycling bin **6208**, and the laundry bin **6210**, respectively. The sensors **6212** can be wirelessly connected to a remote server **6214** via the router **6202** and a network **6216** (e.g., the Internet). The server **6214** can include software that

automatically processes data from the sensors **6212** to determine when servicing of the real estate unit **6162** is required. For example, data from the sensor **6212a** may indicate that the blackwater tank **6194** is at 75% of capacity and needs to be drained or swapped promptly. As another example, data from the sensor **6212b** may indicate that the water reservoir **6196** is being depleted faster than it can be replenished via the hose bibb **6160** and, therefore, needs to be independently replenished promptly. As yet another example, data from the sensor **6212c** may indicate that the battery **6204** is at 25% of capacity and needs to be recharged or swapped promptly. Over time, aggregate data from the sensors **6212** can be analyzed to establish default servicing intervals for the real estate unit **6162**. In addition or alternatively, data from the sensors **6212** can be used to calculate utility usage for the real estate unit **6162** for purposes of environmental reporting and/or billing a renter of the real estate unit **6162**. The sensors **6212a-6212f** can be of suitable respective types for monitoring the corresponding components of the real estate unit **6162**. For example, the sensors **6212a**, **6212b**, **6212d-6212f** can be weight sensors, level sensors, or other types of sensors configured to measure fullness levels of the blackwater tank **6194**, the water reservoir **6196**, the trash bin **6206**, the recycling bin **6208**, and the laundry bin **6210**, respectively. As another example, the sensor **6212c** can be a charge meter or another type of sensor configured to measure a charge of the battery **6204**.

[0495] The real estate unit **6162** can include suitable utility lines and other connections that extend from components of the real estate unit **6162** within the interior space **6140** to components of the real estate unit **6162** or other structures outside of the interior space **6140**. For example, the real estate unit **6162** can include a heater/cooler **6218** within the interior space **6138**, and the real estate unit **6162** can further include refrigerant lines **6220** extending between the heater/cooler **6218** and the heat pump **6190**. Similarly, the real estate unit **6162** can include an electrical outlet **6222** serving the interior space **6138**, and the real estate unit **6162** can further include an electrical line **6224** extending between the electrical outlet **6222** and the battery **6204**. The battery **6204**, therefore, can be configured to power an appliance (not shown) within the interior space **6138** via the electrical outlet **6222** and the electrical line **6224**. As additional examples of suitable utility lines, the real estate unit **6162** can include a blackwater drain line **6226** extending between the bathroom **6164** and the blackwater tank **6194**, a cold water supply line **6228** extending between the bathroom **6164** and the water reservoir **6196**, a hot water supply line **6230** extending between the bathroom **6164** and the water heater **6198**, a greywater drain line **6232** extending between the bathroom **6164** and the greywater filter **6200**, a plumbing ventilation line **6234** extending between the bathroom **6164** and the exhaust filter **6192**, and an exhaust line **6236** also extending between the bathroom **6164** and the exhaust filter **6192**. The blackwater drain line **6226** and the greywater drain line **6232** can be sloped to convey liquid waste from the bathroom **6164** toward the blackwater tank **6194** and the greywater filter **6200**, respectively, at least partially by gravity. To facilitate this sloping and/or for other reasons, the bathroom **6164** can have a floor level at least 0.5 meter (e.g., at least 1 meter) higher than an underlying floor level of the interior space **6138**. In the illustrated embodiment, the blackwater drain line **6226** and the greywater drain line **6232** are separate. In other embodiments, a counterpart of the real

estate unit **6162** can include combined blackwater and greywater lines. Accordingly, the blackwater drain line **6226** and the greywater drain line **6232** can be more generally referred to as plumbing drain lines indicating that they can be configured to convey primarily blackwater, primarily greywater, or both blackwater and greywater.

[0496] The real estate unit **6162** can further include a trash hatch **6238**, a recycling hatch **6240**, and a laundry hatch **6242** within the interior space **6138**. The real estate unit **6162** can also include a trash chute **6244** extending between the trash hatch **6238** and the trash bin **6206**, a recycling chute **6246** extending between the recycling hatch **6240** and the recycling bin **6208**, and a laundry chute **6248** extending between the laundry hatch **6242** and the laundry bin **6210**. The refrigerant lines **6220**, electrical line **6224**, blackwater drain line **6226**, cold water supply line **6228**, hot water supply line **6230**, greywater drain line **6232**, plumbing ventilation line **6234**, exhaust line **6236**, trash chute **6244**, recycling chute **6246**, and laundry chute **6248** can extend through the wall components **6187**. For example, some or all of these lines and chutes can extend through openings in the wall components **6187**. The lines and chutes can be removably disposed inside and/or outside the interior space **6140**. For example, the lines and chutes can be temporary and configured for reuse or disposal upon decommissioning of the real estate unit **6162**. In at least some embodiments, the blackwater drain line **6226** and the greywater drain line **6232** extend above-floor and then above-ground from the bathroom **6164** toward the blackwater tank **6194** and the greywater filter **6200**, respectively.

[0497] The dock **6188** can include additional lines, connections, and other suitable components associated with the components of the real estate unit **6162** at the dock **6188**. For example, the dock **6188** can include a housing **6250** that provides security and protection from weather to components of the real estate unit **6162** at the dock **6188**. The housing **6250** can include a lid (not shown) configured to be open when the real estate unit **6162** is being serviced and closed and locked when the real estate unit **6162** is not being serviced. In at least some embodiments, the lid includes solar panels (also not shown) operably connected to the battery **6204**. The dock **6188** can further include couplings along some or all of the lines and chutes described above. These couplings can separate portions of the lines and chutes within the housing **6250** from portions of the lines and chutes outside the housing **6250**. Thus, by operation of these couplings, the dock **6188** can be transportable as a unit with little or no need to modify internal portions of the dock **6188** in the field. For example, the dock **6188** can be pre-manufactured with the internal components shown in FIG. 179, installed at the location shown in FIG. 179, and then connected up to portions of the associated lines and chutes outside of the housing **6250**.

[0498] The dock **6188** can further include couplings that facilitate convenient removal and replacement (e.g., swapping) of the blackwater tank **6194**, the battery **6204**, the trash bin **6206**, the recycling bin **6208**, and the laundry bin **6210**. For example, the dock **6188** can include a blackwater drain quick-connect coupling **6252** through which the blackwater tank **6194** is fluidically connected to the dock **6188**, the blackwater drain line **6226**, and the bathroom **6164**. In at least some embodiments, the blackwater drain quick-connect coupling **6252** includes a check valve. Similarly, the dock **6188** can include an electrical quick-connect coupling

**6254** through which the battery **6204** is electrically connected to the dock **6188**, the electrical line **6224**, and the electrical outlet **6222**. The dock **6188** can also include a floor **6256** having pads **6258** (individually identified as pads **6258a-6258e**) that facilitate convenient registration of the blackwater tank **6194**, the battery **6204**, the trash bin **6206**, the recycling bin **6208**, and the laundry bin **6210** with the blackwater drain quick-connect coupling **6252**, the electrical quick-connect coupling **6254**, the trash chute **6244**, the recycling chute **6246**, and the laundry chute **6248**, respectively. For example, the pads **6258a-6258e** can be insets in the floor **6256** that snugly receive corresponding lower portions of the blackwater tank **6194**, the battery **6204**, the trash bin **6206**, the recycling bin **6208**, and the laundry bin **6210**, respectively.

[0499] As shown in FIG. 179, the dock **6188** can include a potable water inlet **6260** and a greywater outlet **6262**. The real estate unit **6162** can include a first hose **6264** extending between the hose bibb **6160** and the potable water inlet **6260**. The real estate unit **6162** can further include a second hose **6266** extending between the greywater outlet **6262** and a greywater drain (not shown). The dock **6188** can include internal plumbing (e.g., under the floor **6256**; not shown) fluidically connecting the water reservoir **6196** and the potable water inlet **6260**, and fluidically connecting the greywater filter **6200** and the greywater outlet **6262**. In at least some embodiments, this internal plumbing includes a pump (not shown). The dock **6188** can further include an exhaust output fan **6270** and an internal duct **6272** extending between the exhaust output fan **6270** and the exhaust filter **6192**. The dock **6188** can also include an inverter **6274** operably connected to the electrical line **6224**.

[0500] The real estate unit **6162** can be furnished or otherwise outfitted with suitable furnishings, fixtures, accessories, etc. to accommodate its alternative use. In the illustrated embodiment, the real estate unit **6162** is a lodging and/or residential unit with suitable furnishings, fixtures, accessories, etc. within the interior space **6140** to accommodate lodging and/or residential use of the interior space **6140**. These furnishings, fixtures, accessories, etc. can include a bed **6276**, a side table **6278**, shelving units **6280** (individually identified as shelving units **6280a**, **6280b**), a writing table **6282**, a chair **6284**, a sofa **6286**, a coffee table **6288**, a television **6290**, a kitchenette **6292**, a refrigerator **6294**, a set of step stairs **6296**, and a dining table **6297**. The kitchenette **6292** and the set of step stairs **6296** can be operably associated with the bathroom **6164**. The real estate unit **6162** can further include a closet **6298** disposed (e.g., removably disposed) within the interior space **6140**. The real estate unit **6162** can also include a curtain **6299** at an interior side of the storefront **6124**. The curtain **6299** can be movable for privacy and to control an amount of natural light entering the interior space **6140** via the storefront **6124**. In other embodiments, a counterpart of the real estate unit **6162** can include other suitable furnishings, fixtures, accessories, etc. As described in further detail below, real estate units in accordance with other embodiments of the present technology can be rentable office units, rentable assembly units, and/or have other suitable primarily uses in addition to or instead of lodging and/or residential uses. Furthermore, rentable real estate units in accordance with embodiments of the present technology can be directly rentable, rentable via a membership system (e.g., in a member-based network of

real estate units), rentable under short-term use arrangements (e.g., lodging arrangements), and/or rentable in another manner.

[0501] FIG. 180 is an enlarged view of a portion of FIG. 179 showing several of the wall components **6187**. FIGS. **181** and **182** are, respectively, a cross-sectional exterior (i.e., facing outward relative to the compartment **6186**) side profile view and a cross-sectional interior (i.e., facing inward relative to the compartment **6186**) side profile view of a portion of the real estate unit **6162** shown in FIG. 179 corresponding to the portion of FIG. 179 shown in FIG. 180. FIG. 183 is an enlarged view of a portion of FIG. 182. With reference to FIGS. 179-183 together, the wall components **6187** can be arranged in staggered rows within a wall **6448** at a perimeter portion of the interior space **6140**. The wall components **6187** closest to the exterior wall **6104b** can alternate row-to-row between larger and smaller rectangular shapes. Similarly, the wall components **6187** closest to the exterior wall **6104d** can alternate row-to-row between larger and smaller rectangular shapes. Elsewhere within the wall **6448**, the wall components **6187** can have the larger rectangular shape. The overall wall **6448** can be at least substantially self-supporting and/or at least substantially free-standing.

[0502] The interior space **6140** can have a finished floor surface **6450** over which the wall components **6187** are removably disposed, a finished wall surface **6452** beside which the wall components **6187** are removably disposed, and a finished ceiling surface **6454** below which the wall components **6187** are removably disposed. The compartmentalizing assembly **6185** can include a liner **6456** disposed (e.g., removably or permanently disposed) on the finished floor surface **6450** below the interior wall components **6187**. For example, the liner **6456** can be adhesively connected to the finished floor surface **6450**. The liner **6456** can be useful, for example, to protect the finished floor surface **6450** from components of the wall **6448**, to facilitate layout the wall **6448**, to reduce or eliminate the possibility of shifting of the wall **6448**, and/or for other purposes. Suitable materials for the liner **6456** include strips of peel-and-stick house wrap and strips of peel-and-stick roof underlayment. The liner **6456** can be disposable or reusable.

[0503] In at least some embodiments, the wall **6448** includes additional components that facilitate compatibility between the wall components **6187** and the interior space **6140** when the wall components **6187** have standard dimensions and the interior space **6140** has irregular dimensions. For example, the wall **6448** can include a mass of self-leveling material **6458** (e.g., a disposable mass of hardened self-leveling grout) under the wall components **6187** and over the liner **6456**. The mass of self-leveling material **6458** can be molded and, in at least some cases, is integrally formed along most or all of an overall footprint of the wall **6448**. During formation of the mass of self-leveling material **6458**, the constituent self-leveling material can be of sufficiently low viscosity to level itself by gravity. Thus, the mass of self-leveling material **6458** can automatically conform to slopes, dips, and other irregularities in the finished floor surface **6450**. When at least partially cured, the mass of self-leveling material **6458** can provide the wall **6448** with a reliably level surface that facilitates vertical stacking of the wall components **6187**.

[0504] As shown in FIGS. 179 and 180, the wall **6448** can include compressible batting **6460** disposed (e.g., stuffed)

into a vertical gap between the wall components **6187** and the finished wall surface **6452** and disposed (e.g., stuffed) into a horizontal gap between the wall components **6187** and the finished ceiling surface **6454**. The batting **6460** can be reusable. Furthermore, the batting **6460** can be non-combustible. For example, the batting **6460** can be reusable bundles of lined or unlined mineral wool insulation. As shown in FIG. **182**, the compartmentalizing assembly **6185** can include inwardly facing molding panels **6462** that hide the batting **6460** from inside the compartment **6186**. The molding panels **6462** can be attached to the wall components **6187** magnetically, adhesively, mechanically, or in another manner. In at least some embodiments, the overall wall **6448** has a fire rating of at least two hours. This can be useful, for example, for building-code compliance when the real estate unit **6162** has a use different than another ongoing use within the commercial building **6100**.

**[0505]** The individual interior wall components **6187** can include downwardly extending flanges **6464** that are received within successively lower wall components **6187**. The wall **6448** can further include base blocks **6466** configured to receive the flanges **6464** of the interior wall components **6187** within a lowest row of wall components **6187** within the wall **6448**. When fully assembled, the wall **6448** can be strong enough to support fixtures and accessories (e.g., electrical conduits, monitors, shelving, moldings, artwork, furniture supports, etc.). In at least some embodiments, exposed portions of the wall components **6187** are at least partially made of ferrous metal such that fixtures and accessories can be connected to the wall **6448** magnetically. In addition or alternatively, the wall components **6187** can include coupling components **6468** that allow fixtures and accessories to be connected to the wall **6448** mechanically and/or by gravity.

**[0506]** FIG. **184** is side profile view of a given one of the wall components **6187** separate from other portions of the wall **6448**. FIG. **185** is a cross-sectional top plan view of the given wall component **6187** taken along the line **185-185** in FIG. **184**. FIG. **186** is a cross-sectional end profile view of the given wall component **6187** taken along the line **186-186** in FIG. **184**. The given wall component **6187** is of the large rectangular type. In at least some embodiments, other (e.g., most or all) of the wall components **6187** of the large rectangular type within the wall **6448** at least substantially match the given wall component **6187**. Furthermore, wall components **6187** of the small rectangular type can have the same or similar features as the features of the given wall component **6187**. With reference to FIGS. **184-186** together, the given wall component **6187** can include a shell **6470** having a first side panel **6472** and an opposite second side panel **6474** parallel to and spaced apart from the first side panel **6472**. Similarly, the shell **6470** can include a first end panel **6476** and an opposite second end panel **6478** parallel to and spaced apart from the first end panel **6476**. The first and second side panels **6472**, **6474** and the first and second end panels **6476**, **6478** can define an interior region of the given wall component **6187** shaped, for example, as a rectangular solid.

**[0507]** The given wall component **6187** can include two of the flanges **6464** at the first side panel **6472** and another two of the flanges **6464** at the second side panel **6474**. As shown in FIG. **186**, the flanges **6464** can be parallel to and inset relative to the corresponding first and second side panels **6472**, **6474**. Between the flanges **6464** at the first side panel

**6472** and between the flanges **6464** at the second side panel **6474**, the given wall component **6187** can include respective slots **6480**. When the given wall component **6187** is assembled with other wall components **6187** of the large rectangular type within the wall **6448**, one of the flanges **6464** at the first side panel **6472** and an opposing one of the flanges **6464** at the second side panel **6474** can be received within the interior region of a first neighboring lower wall component **6187**. Similarly, the other of the flanges **6464** at the first side panel **6472** and the other of the flanges **6464** at the second side panel **6474** can be received within the interior region of a second neighboring lower wall component **6187** adjacent to the first neighboring lower wall component **6187**. The second end panel **6478** of the first neighboring lower wall component **6187** and the first end panel **6476** of the second neighboring lower wall component **6187** can be directly adjacent to one another and received within the slots **6480** of the given wall component **6187**. This interaction between the wall components **6187** can facilitate convenient assembly of the wall **6448** with neighboring rows of the interior wall components **6187** evenly staggered.

**[0508]** In the illustrated embodiment, the first and second side panels **6472**, **6474** are thinner than the first and second end panels **6476**, **6478** and made of a different material. For example, the first and second side panels **6472**, **6474** can be metal (e.g., iron) and the first and second end panels **6476**, **6478** can be cementitious (e.g., fiber-reinforced cement). The metal composition of the first and second side panels **6472**, **6474** can be useful, for example, for aesthetics, to facilitate magnetic coupling of fixtures and accessories to the wall **6448**, and/or for other reasons. The cementitious composition of the first and second end panels **6476**, **6478** can be useful, for example, to reduce noise transmission through the wall **6448**, for cost savings, and/or for other reasons. In other embodiments, the first and second side panels **6472**, **6474** and the first and second end panels **6476**, **6478** can have other compositions.

**[0509]** The given wall component **6187** can further include batting **6482** disposed within its interior region. Similar to the batting **6460** described above, the batting **6482** can be reusable and/or non-combustible. For example, the batting **6482** can be reusable bundles of lined or unlined mineral wool insulation. In at least some embodiments, the batting **6482** is removable. Furthermore, the shell **6470** can be collapsible from an expanded state to a compact (e.g., at least partially flattened) state. For example, at corners where the first and second side panels **6472**, **6474** and the first and second end panels **6476**, **6478** meet, the given wall component **6187** can include hinges (not shown), such as flexure bearings or piano hinges, that allow each corner to fold in a direction that causes the first and second side panels **6472**, **6474** and the first and second end panels **6476**, **6478** to at least partially flatten. This feature can facilitate efficient storage and transport of the shell **6470** before and/or after its deployment at the real estate unit **6162**. When the shell **6470** is collapsible, the given wall component **6187** can include a rectangular inset (not shown) removably disposed within the interior of the given wall component **6187** such that it rests on upper edges of the flanges **6464**. When present, the inset can help the given wall component **6187** maintain its rectangular form during use. When the shell **6470** is collapsed, the inset can be removed.

[0510] FIG. 187 is an enlarged view of a portion of FIG. 186. As shown in FIG. 187, a lowermost portion of the first side panel 6472 can overlap an uppermost portion of one of the flanges 6464. FIG. 187 further illustrates a given one of the coupling components 6468 at the lowermost portion of the first side panel 6472. In at least some embodiments, other (e.g., most or all) of the coupling components 6468 of interior wall components 6187 within the wall 6448 at least substantially match the coupling component 6468 illustrated in FIG. 187. The coupling component 6468 can include a notch 6484 and a plug 6486 removably disposed within the notch 6484. The plug 6486 can include a magnet 6488 that releasably connects the plug 6486 to the uppermost portion of the adjacent flange 6464. The plug 6486 can be disposed within the notch 6484 when the coupling component 6468 is not in use. Removing the plug 6486 from the notch 6484 can expose an opening into the interior of the given interior wall component 6187. A mechanical fastener (e.g., a hook) (not shown) can be inserted into this opening. In this way, relatively heavy fixtures and accessories can be connected to the wall 6448 through a reliable mechanical connection in addition to or instead of a magnetic connection.

[0511] FIG. 188 is a cross-sectional top plan view of a real estate unit 6490 in accordance with another embodiment of the present technology including the interior space 6140 within the commercial building 6100 taken along the line 188-188 in FIG. 176 with the interior space 6140 in the second state. FIG. 189 is an enlarged view of a portion of FIG. 188. FIG. 190 is a cross-sectional exterior side profile view of a portion of the real estate unit 6490 corresponding to the portion of FIG. 188 shown in FIG. 189. With reference to FIGS. 188-190 together, the real estate unit 6490 can include ceiling components (e.g., reusable ceiling components) removably disposed within the commercial building 6100. The ceiling components can include ceiling panels 6492 and elongate ceiling beams 6493 interspersed between the ceiling panels 6492. The ceiling beams 6493 can support the ceiling panels 6492, and the wall components 6187 can support the ceiling beams 6493. The wall components 6187 can be assembled into walls, columns, or other suitable structures that extend between the ceiling beams 6493 and the finished floor surface 6450. For example, the real estate unit 6490 can include columns and headers (not shown) abutting an interior surface of the exterior wall 6104a. The ceiling beams 6493 can extend between the wall 6448 and the headers. When a distance between the wall 6448 and the headers does not correspond to a multiple of the length of the ceiling panels 6492, and in other cases, the ceiling panels 6492 and the ceiling beams 6493 can be cantilevered over the wall 6448.

[0512] As shown in FIG. 190, the individual ceiling beams 6493 can have an I-shape transverse cross-section including two channels at opposite sides of a central web. The individual ceiling panels 6492 can have side edge portions snugly received within corresponding channels of adjacent ceiling beams 6493. Together, the ceiling panels 6492 and the ceiling beams 6493 can form a ceiling 6495 of the real estate unit 6490. The ceiling 6495 can be below an airspace 6496 within the commercial building 6100. The commercial building 6100 can include a central heating system 6497 (shown schematically) operable to heat the airspace 6496 and thereby provide below-room-temperature baseline heating to the interior space 6140 via the ceiling 6495. The real estate unit 6490 can include a supplemental heater 6498

(shown schematically) operable to provide supplemental heating to the interior space 6140.

[0513] With reference again to the real estate unit 6162, FIGS. 191, 192, 193 and 194 are, respectively, a first side profile view, an opposite second side profile view, a first end profile view, and an opposite second end profile view of the bathroom 6164. With reference to FIGS. 191-194 together, the bathroom 6164 can include a rectangular floor module 6500, a rectangular ceiling module 6502 vertically spaced apart from the floor module 6500, and a plurality of wall modules 6504 (individually identified as wall modules 6504a-6504d) removably connected to the floor and ceiling modules 6500, 6502 at respective perimeter portions of the floor and ceiling modules 6500, 6502. The bathroom 6164 can further include a lower gasket 6506 disposed between the perimeter portion of the floor module 6500 and the wall modules 6504, and an upper gasket 6508 disposed between the perimeter portion of the ceiling module 6502 and the wall modules 6504. The floor module 6500 can include upwardly extending tabs 6510 through which the floor module 6500 is secured to the wall modules 6504. Similarly, the ceiling module 6502 can include downwardly extending tabs 6512 through which the ceiling module 6502 is secured to the wall modules 6504. The wall modules 6504c, 6504d can include vertical flanges 6514 at which the wall modules 6504c, 6504d are secured to the wall modules 6504a, 6504b. The bathroom 6164 can include bolts 6516 and associated nuts 6518 at the upwardly extending tabs 6510, the downwardly extending tabs 6512, and the vertical flanges 6514.

[0514] At the wall module 6504a (FIG. 193), the bathroom 6164 can include a doorway opening 6520, a frame 6522 extending around the doorway opening 6520, and a door 6524 disposed within the doorway opening 6520 and hingedly connected to the frame 6522. The bathroom 6164 can further include a handle 6526 and hinges 6528 operably associated with the door 6524. At the wall module 6504c (FIG. 191), the bathroom 6164 can include a plumbing ventilation hookup 6530 and an exhaust hookup 6532. The plumbing ventilation hookup 6530 and the exhaust hookup 6532 can be configured for convenient connection to and disconnection from the plumbing ventilation line 6234 and the exhaust line 6236 (FIG. 179), respectively, such as via quick-release couplings (not shown). The wall modules 6504c, 6504d can extend between the wall modules 6504a, 6504b at opposite sides of the bathroom 6164. As discussed above, the bathroom 6164 can be configured to be elevated above a floor surface of the interior space 6140. For this purpose and/or another purpose, the floor module 6500 can include feet 6533. In at least some embodiments, a gap between the feet 6533 is large enough to allow the bathroom 6164, when fully assembled, to be conveniently moved by forklift. At the ceiling module 6502, the bathroom 6164 can include skylights 6534 that allow ambient light within the interior space 6138 to enter an interior of the bathroom 6164.

[0515] At a side of the floor module 6500 below the wall module 6504c, the bathroom 6164 can include a blackwater drain hookup 6535, a main cold water supply hookup 6536, and a main hot water supply hookup 6538. At an end of the floor module 6500 below the wall module 6504a, the bathroom 6164 can include a main electrical hookup 6540 and a main greywater drain hookup 6541. The blackwater drain hookup 6535, the main cold water supply hookup 6536, the main hot water supply hookup 6538, the main electrical hookup 6540, and the main greywater drain

hookup **6541** can be configured for convenient connection to and disconnection from the blackwater drain line **6226**, the cold water supply line **6228**, the hot water supply line **6230**, the electrical line **6224**, and the greywater drain line **6232**, respectively, such as via quick-release couplings (not shown). At a side of the floor module **6500** below the wall module **6504d**, the bathroom **6164** can include an auxiliary greywater drain hookup **6542**, an auxiliary cold water supply hookup **6544**, an auxiliary hot water supply hookup **6546**, and an auxiliary electrical hookup **6548**. The auxiliary greywater drain hookup **6542**, the auxiliary cold water supply hookup **6544**, the auxiliary hot water supply hookup **6546**, and the auxiliary electrical hookup **6548** can be configured for convenient connection to and disconnection from corresponding lines (not shown) of the kitchenette **6292**, such as via quick-release couplings (not shown).

[0516] FIG. 195 is a cross-sectional top plan view of the bathroom **6164** taken along the line **195-195** in FIG. 191. As shown in FIG. 195, the floor module **6500** can include a deck **6554** on which the sink **6166**, the toilet **6168**, and the bath/shower **6170** are disposed (e.g., removably disposed). The sink **6166** can include a basin **6562**, a sink drain **6564**, a sink faucet **6566**, a sink hot water knob **6568**, and a sink cold water knob **6570** operably connected to one another. The toilet **6168** can include a tank **6572**, a bowl **6574**, and a toilet drain **6576** operably connected to one another. The bath/shower **6170** can include a tub **6578**, a bath/shower drain **6580**, a tub faucet **6582**, a tub cold water knob **6584**, a tub hot water knob **6586**, a cold water conduit **6588**, and a hot water conduit **6590** operably connected to one another. The cold water conduit **6588** can include a riser **6592** and a first branch **6594** extending between the riser **6592** and the tub faucet **6582**. The tub cold water knob **6584** can be disposed along the first branch **6594** and operable to control a flow of cold water from the cold water conduit **6588** to the tub faucet **6582**. Similarly, the hot water conduit **6590** can include a riser **6596** and a first branch **6598** extending between the riser **6596** and the tub faucet **6582**. The tub hot water knob **6586** can be disposed along the first branch **6598** and operable to control a flow of hot water from the hot water conduit **6590** to the tub faucet **6582**.

[0517] The bathroom **6164** can include an electrical conduit **6600**, and a junction box **6602** operably connected to the electrical conduit **6600**. The bathroom **6164** can further include a first plumbing ventilation conduit **6604** disposed between the sink **6166** and the toilet **6168**, and a second plumbing ventilation conduit **6605** disposed between the sink **6166** and the bath/shower **6170**. The first and second plumbing ventilation conduits **6604**, **6605** can be configured to ventilate blackwater and greywater plumbing, respectively. The bathroom **6164** can still further include a floor drain **6606** disposed between the toilet **6168** and the bath/shower **6170**. FIG. 196 is an enlarged view of a portion of FIG. 195. With reference to FIGS. 195 and 196 together, the bathroom **6164** can include vertical gaskets **6608** disposed between the respective vertical flanges **6514** and corresponding portions of the wall modules **6504a**, **6504b**. Similarly, the bathroom **6164** can include lower tab gaskets **6610** disposed between the respective upwardly extending tabs **6510** and corresponding portions of the wall modules **6504**.

[0518] FIG. 197 is a cross-sectional bottom plan view of the bathroom **6164** taken along the line **197-197** in FIG. 191. As shown in FIG. 197, the bathroom **6164** can include a light fixture **6612** attached to the wall module **6504c** above the

sink **6166**. The bathroom **6164** can further include an exhaust intake fan **6614** attached to the ceiling module **6502**. The electrical conduit **6600** can extend from the junction box **6602** (FIG. 195) to the light fixture **6612**, and from the light fixture **6612** to the exhaust intake fan **6614**. The first and second plumbing ventilation conduits **6604**, **6605** can merge and extend along an inner corner between the ceiling module **6502** and the wall module **6504c** to the plumbing ventilation hookup **6530** (FIG. 191). The bathroom **6164** can include an exhaust conduit **6616** extending from the exhaust intake fan **6614** along an inner corner between the ceiling module **6502** and the wall module **6504b** to the exhaust hookup **6532** (FIG. 191). Above one end of the tub **6578** (FIG. 195), the bath/shower **6170** (FIG. 195) can include a showerhead **6618**, a shower cold water knob **6620** operably connected to the cold water conduit **6588**, and a shower hot water knob **6622** operably connected to the hot water conduit **6590**. The cold water conduit **6588** can include a second branch **6624** extending between the riser **6592** and the showerhead **6618**. The shower cold water knob **6620** can be disposed along the second branch **6624** and operable to control a flow of cold water from the cold water conduit **6588** to the showerhead **6618**. Similarly, the hot water conduit **6590** can include a second branch **6626** extending between the riser **6596** and the showerhead **6618**. The shower hot water knob **6622** can be disposed along the second branch **6626** and operable to control a flow of hot water from the hot water conduit **6590** to the showerhead **6618**. The bathroom **6164** can include upper tab gaskets **6628** disposed between the respective downwardly extending tabs **6512** and corresponding portions of the wall modules **6504**.

[0519] FIG. 198 is a cross-sectional top plan view of the bathroom **6164** taken along the line **198-198** in FIG. 191. With reference to FIGS. 179 and 191-198 together, the floor module **6500** can include a skirt **6630** and a series of parallel spaced-apart joists **6632** within the skirt **6630**. The bathroom **6164** can include a blackwater drain conduit **6634** operably connected to the blackwater drain hookup **6535** and the toilet drain **6576**. Thus, the toilet **6168** can be operably connected to the blackwater tank **6194** via the blackwater drain conduit **6634** and the blackwater drain line **6226**. The blackwater drain conduit **6634** can include a branch **6635** operably connected to the first plumbing ventilation conduit **6604**. The bathroom **6164** can further include a greywater drain conduit **6636** operably connected to the main greywater drain hookup **6541**. The greywater drain conduit **6636** can include branches **6638** (individually identified as branches **6638a-6638c**) operably connected to the second plumbing ventilation conduit **6605**, the sink drain **6564**, and the auxiliary greywater drain hookup **6542**, respectively. The greywater drain conduit **6636** can further include sub-branches **6639** (individually identified as sub-branches **6639a**, **6639b**) operably connected to the bath/shower drain **6580** and the floor drain **6606**, respectively. Thus, the bath/shower drain **6580** can be operably connected to the greywater filter **6200** via the greywater drain conduit **6636** and the greywater drain line **6232**. The sub-branches **6639c**, **6639b** of the greywater drain conduit **6636** can include respective traps **6640**. Furthermore, the blackwater drain conduit **6634** and the greywater drain conduit **6636** can include respective caps **6642**, such as to facilitate clean-out.

[0520] The bathroom **6164** can include wheels **6643** (e.g., swivel casters) integrated into the floor module **6500**. In the



illustrated embodiment, the wheels **6643** are embedded within the feet **6533** and accessible via inwardly facing openings (not shown) of the feet **6533**. The individual wheels **6643** can be movable between a retracted state and an extended state. For example, the bathroom **6164** can include posts **6644** having threads (not shown) that engage corresponding threads (not shown) of the wheels **6643** such that the wheels **6643** can be rotatably moved between the retracted and extended states. Moving the wheels **6643** from the retracted state to the extended state can lift the bathroom **6164** off a corresponding floor surface, thereby allowing the bathroom **6164** to be conveniently moved along the floor surface.

[0521] The bathroom **6164** can further include a main cold water conduit **6645** and a main hot water conduit **6646** operably connected to the main cold water supply hookup **6536** and the main hot water supply hookup **6538**, respectively. The main cold water conduit **6645** can include branches **6648** (individually identified as branches **6648a**, **6648b**) operably connected to the sink **6166** and the bath/shower **6170** (via the riser **6592**), respectively. The main cold water conduit **6645** can further include sub-branches **6650** (individually identified as sub-branches **6650a**, **6650b**) operably connected to the auxiliary cold water supply hookup **6544** and the toilet **6168**, respectively. The main hot water conduit **6646** can include branches **6652** (individually identified as branches **6652a**, **6652b**) operably connected to the sink **6166** and the bath/shower **6170** (via the riser **6596**), respectively. The main hot water conduit **6646** can further include a sub-branch **6654** operably connected to the auxiliary hot water supply hookup **6546**. The bathroom **6164** can still further include a main electrical conduit **6656** operably connected to the main electrical hookup **6540**. The main electrical conduit **6656** can include branches **6658** (individually identified as branches **6658a**, **6658b**) operably connected to the auxiliary electrical hookup **6548** and a floor heating system (introduced below). The main electrical conduit **6656** can further include a sub-branch **6659** operably connected to the electrical conduit **6600**.

[0522] FIG. 199 is a cross-sectional bottom plan view of the bathroom **6164** taken along the line 199-199 in FIG. 191. As shown in FIG. 199, the bathroom **6164** can include a floor heating system **6660** operably associated with the deck **6554**. The floor heating system **6660** can include a control box **6662** operably connected to the branch **6658b** of the main electrical conduit **6656**, and a heating cable **6664** operably connected to the control box **6662**. The heating cable **6664** can have a serpentine configuration and be directly connected to an underside of the deck **6554** between the joists **6632**. With reference to FIGS. 191-199 together, the floor drain **6606**, the blackwater drain conduit **6634** (e.g., including its branch **6635**), the greywater drain conduit **6636** (e.g., including its branches **6638** and sub-branches **6639**), the main cold water conduit **6645** (e.g., including its branches **6648** and sub-branches **6650**), the main hot water conduit **6646** (e.g., including its branches **6652** and sub-branch **6654**), the main electrical conduit **6656** (e.g., including its branches **6658** and sub-branch **6659**), the floor heating system **6660**, and/or other suitable components of the bathroom **6164** can be pre-installed components of the floor module **6500**. Similarly, the supply plumbing for the bath/shower **6170** (e.g., including the tub faucet **6582**, the cold water conduit **6588**, the hot water conduit **6590**, and the showerhead **6618**), the light fixture **6612**, and/or other

suitable components of the bathroom **6164** can be pre-installed components of the wall module **6504c**. These and/or other aspects of the bathroom **6164** can facilitate rapid deployment, removal, and redeployment of the bathroom **6164**.

[0523] FIG. 200 is a cross-sectional top plan view of a real estate unit **6700** in accordance with another embodiment of the present technology including the interior space **6140** within the commercial building **6100** taken along the line L-L in FIG. 176 with the interior space **6140** in the second state. The real estate unit **6700** can include a dock **6701** that does not include the blackwater tank **6194** (FIG. 179) and the blackwater drain line **6226** (FIG. 179) of the real estate unit **6162** (FIG. 179). Instead of these components, the real estate unit **6700** can include a blackwater drain line **6702** extending between (e.g., removably disposed between) the bathroom **6164** and an outdoor sewage hookup **6704**. The blackwater drain line **6702** can extend through the exterior wall **6104c** from the bathroom **6164** toward the sewage hookup **6704**. Furthermore, the blackwater drain line **6702** can extend above-floor and then above-ground from the bathroom **6164** toward the sewage hookup **6704**. The sewage hookup **6704** can be a retrofitted access point to a municipal, septic, or other permanent sewage system serving the commercial building **6100**. In at least some cases, the blackwater drain line **6702** connects to the sewage hookup **6704** via a quick-connect coupling (not shown). In the illustrated embodiment, the real estate unit **6700** (like the real estate unit **6162** (FIG. 179)) is configured to recycle greywater. In other embodiments, a counterpart of the real estate unit **6700** can be configured to dispose of greywater with blackwater via the sewage hookup **6704**. For example, a counterpart of the bathroom **6164** can be alternatively configured so that a counterpart of the greywater drain conduit **6636** (FIG. 198) is combined with a counterpart of the blackwater drain conduit **6634** (FIG. 198).

[0524] In another embodiment, a counterpart of the real estate unit **6162** (FIG. 179) is operably associated with components that reduce or eliminate the need for frequent servicing and/or connections to permanent utilities serving the commercial building **6100**. For example, the counterpart of the real estate unit **6162** (FIG. 179) can be operably associated with a high-capacity sewage detention reservoir (not shown) disposed (e.g., removably disposed) outside the interior space **6138**, a high-capacity cold water reservoir (not shown) disposed (e.g., removably disposed) outside the interior space **6138**, and/or a high-capacity generator (not shown) disposed (e.g., removably disposed) outside the interior space **6138**. The high-capacity sewage detention reservoir can be configured for occasional evacuation into a mobile tanker (e.g., a septic system pump truck). Similarly, the high-capacity cold water reservoir can be configured for occasional replenishment from a mobile tanker (e.g., a water supply truck). In these embodiments, with reference to FIG. 179, a counterpart of the dock **6188** can be without the blackwater tank **6194**, the water reservoir **6196**, the greywater filter **6200**, and/or the battery **6204**.

[0525] FIG. 201 is a cross-sectional top plan view of a real estate unit **6710** in accordance with another embodiment of the present technology including the interior space **6140** within the commercial building **6100** taken along the line L-L in FIG. 176 with the interior space **6140** in the second state. The real estate unit **6700** can include a dock **6711** disposed (e.g., removably disposed) within the yard **6128**.

The real estate unit **6710** can include refrigerant lines **6712**, an electrical line **6713**, a blackwater drain line **6714**, a cold water supply line **6715**, a hot water supply line **6716**, and a greywater drain line **6717** extending above-floor at least two meters within the commercial building **6100** from the bathroom **6164** toward the dock **6711**.

[0526] FIG. 202 is a cross-sectional top plan view of a real estate unit **6720** in accordance with another embodiment of the present technology including the interior space **6140** within the commercial building **6100** taken along the line L-L in FIG. 176 with the interior space **6140** in the second state. As shown in FIG. 202, the real estate unit **6720** can be without a dock and can, instead, be tethered to plumbing and electrical systems of the commercial building **6100**. The first building bathroom **6110** can include a toilet hookup **6722** that is exposed when the toilet **6142** of the first building bathroom **6110** is removed. Similarly, the first building bathroom **6110** can include sink hookups (e.g., hot and cold; not shown) that are exposed when the sink **6144** of the first building bathroom **6110** is disconnected. The toilet hookup **6722** and the sink hookups can be operably connected to the plumbing drain trunk line **6146** and the water supply trunk line **6148**, respectively. The real estate unit **6720** can include the bathroom **6164**, which is operably connected to the plumbing drain trunk line **6146** and the water supply trunk line **6148** via the toilet hookup **6722** and the sink hookups, respectively. The real estate unit **6720** can further include a heat pump **6726** and an exhaust filter **6728** similar to the heat pump **6190** and the exhaust filter **6192** of the real estate unit **6162**.

[0527] The real estate unit **6720** can further include a plumbing drain line **6730** through which the bathroom **6164** is operably connected to the plumbing drain trunk line **6146**. The plumbing drain line **6730** can be disposed (e.g., removably disposed) between the bathroom **6164** and the toilet hookup **6722**. For example, the plumbing drain line **6730** can extend above-floor at least two meters within the commercial building **6100** from the bathroom **6164** toward the toilet hookup **6722**. Similarly, the real estate unit **6720** can include water supply lines **6732** (e.g., hot and cold) through which the bathroom **6164** is operably connected to the water supply trunk line **6148**. The water supply lines **6732** can be disposed (e.g., removably disposed) between the bathroom **6164** and the sink hookups. For example, the water supply lines **6732** can extend above-floor at least two meters within the commercial building **6100** from the bathroom **6164** toward the sink hookups. Also similarly, the real estate unit **6720** can include an electrical line **6734** through which the bathroom **6164** and outlets (not shown) within the real estate unit **6720** are operably connected to the electrical panel **6154**. The electrical line **6734** can be disposed (e.g., removably disposed) between the bathroom **6164** and the electrical panel **6154**. The interior doors **6116a**, **6116b** can be propped open (as shown) or removed to allow passage of the plumbing drain line **6730**, the water supply lines **6732**, and the electrical line **6734** between the bathroom **6164** and the toilet hookup **6722**, the sink hookups, and the electrical panel **6154**, respectively. The real estate unit **6720** can further include a bridge **6736** disposed over a bundle of the plumbing drain line **6730**, the water supply lines **6732**, and the electrical line **6734**. The bridge **6736** can be reusable and removably disposed within the commercial building **6100**.

[0528] The real estate unit **6720** can further include a sewage detention tank **6738** along the plumbing drain line

**6730**. Similarly, the real estate unit **6720** can include a water supply tank (not shown) and a supplemental water heater (not shown) along the water supply lines **6732**. The sewage detention tank **6738**, the water supply tank, and the supplemental water heater can be reusable and disposed (e.g., removably disposed) within the commercial building **6100**. These components can attenuate spikes in water demand and/or sewage flow from the real estate unit **6720**. In the illustrated embodiment, there is only one real estate unit **6720** within the commercial building **6100**. In other embodiments, there can be multiple counterparts of the real estate unit **6720** within a counterpart of the commercial building **6100**. In these other embodiments, a plumbing fixture load of a counterpart of the first building bathroom **6110** may still be sufficient to service the multiple counterparts of the real estate unit **6720** due, for example, to increased capacity provided by counterparts of the sewage detention tank **6738**, the water supply tank, and the supplemental water heater. In addition or alternatively, when there are two counterparts of the real estate unit **6720** within a counterpart of the commercial building **6100**, the two counterparts of the real estate unit **6720** can be separately tethered to the first and second building bathrooms **6110**, **6112**, respectively.

[0529] In the embodiments illustrated in FIGS. 179 and 200-202, the real estate units **6162**, **6700**, **6710**, **6720** are configured at least primarily as lodging and/or residential units. In other embodiments, a counterpart of the real estate units **6162**, **6700**, **6710**, **6720** can have another primary use. For example, the counterpart of the real estate units **6162**, **6700**, **6710**, **6720** can be a rentable office unit, a rentable assembly unit, and/or a rentable unit of another type. FIG. 203 is a cross-sectional top plan view of a real estate unit **6750** in accordance with another embodiment of the present technology including the interior space **6140** within the commercial building **6100** taken along the line L-L in FIG. 176 with the interior space **6140** in the second state. The real estate unit **6750** can be configured at least primarily as a rentable office unit. The real estate unit **6750** can include office furnishings, such as a workstation **6752** removably disposed within the interior space **6140**.

[0530] FIG. 204 is a cross-sectional top plan view of a real estate unit **6760** in accordance with another embodiment of the present technology including the interior space **6140** within the commercial building **6100** taken along the line L-L in FIG. 176 with the interior space **6140** in the second state. The real estate unit **6760** can be configured at least primarily as a rentable assembly unit. For example, the real estate unit **6760** can be configured to accommodate parties, classes, etc. The real estate unit **6760** can include a dock **6762** that does not include the trash bin **6206** (FIG. 179), the recycling bin **6208** (FIG. 179), and the laundry bin **6210** (FIG. 179) of the real estate unit **6162** (FIG. 179), but is otherwise the same as or similar to the dock **6188** (FIG. 179). FIG. 205 is a cross-sectional top plan view of a real estate unit **6770** in accordance with another embodiment of the present technology including the interior space **6140** within the commercial building **6100** taken along the line L-L in FIG. 176 with the interior space **6140** in the second state. The real estate unit **6770** can be configured at least primarily as a combined lodging and rentable office unit. For example, the real estate unit **6770** can include partitions **6772** that close off the bed **6276** during work hours.

[0531] FIG. 206 is a block diagram illustrating a method **6900** for making a given real estate unit in accordance with

an embodiment of the present technology. For simplicity, aspects of the method 6900 will be further described primarily in the context of certain ones of the real estate units 6162, 6490, 6700, 6710, 6720, 6750, 6760, 6770 described herein. It should be understood, however, that the method 6900, when suitable, and/or portions of the method 6900, when suitable, can be practiced with respect to other ones of the real estate units 6162, 6490, 6700, 6710, 6720, 6750, 6760, 6770 described herein as well as with respect to other real estate units in accordance with embodiments of the present technology.

[0532] With reference to FIGS. 179-206 together, the method 6900 can include leasing the interior space 6140 (block 6902) or establishing control of the interior space 6140 in another manner. For example, the interior space 6140 can be leased from an owner of the commercial building 6100 for provision of lodging, residential space, office space, assembly space, and/or another type of space to third parties. In some cases, the interior space 6140 is leased or purchased separately from other portions of the interior region 6108. In other cases, the interior region 6108 can be leased or purchased as a whole. After control of the interior space 6140 is established, the method 6900 can include retrofitting the interior space 6140 to accommodate an alternative use (e.g., a lodging use, a residential use, an office use, and/or an assembly use). The commercial building 6100 can be one that was originally constructed at least 20 years before this retrofitting occurs.

[0533] In at least some embodiments, the method 6900 includes at least substantially reversibly retrofitting the interior space 6140 to accommodate the alternative use. In these and other embodiments, it may be economically feasible to lease and retrofit the interior space 6140 with little or no long-term commitment from an owner of the commercial building 6100. This can be due to the reusability of a significant amount of the capital associated with retrofitting the interior space 6140 and/or for other reasons. Accordingly, in some embodiments, the interior space 6140 is leased month-to-month. In other embodiments, the interior space 6140 can be leased under terms that allow the owner of the commercial building 6100 to terminate the lease with notice of less than one month. In still other embodiments, the interior space 6140 can be controlled by an operator of the real estate unit 6162 under other lease arrangements, under non-lease contractual arrangements (e.g., franchising), or under fee simple ownership. After direct or indirect control over the interior space 6140 is established, the method 6900 can include subleasing (or leasing if the commercial building 6100 is owned in fee simple) the interior space 6140 to a renter. When the interior space 6140 is leased separately from other portions of the commercial building 6100, an owner of the commercial building 6100 can occupy or otherwise use the other portions of the commercial building 6100 while the interior space 6140 is leased to third parties. When the interior space 6140 is leased together with other portions of the commercial building 6100, an operator of the real estate unit 6162 can separately lease the interior space 6140 as the real estate unit 6162 and some or all of the other portions of the commercial building 6100 as another real estate unit.

[0534] The method 6900 can further include transporting modules (e.g., the bathroom 6164, the wall components 6187, and/or the dock 6188) to the commercial building 6100 (block 6904). Some or all of the modules can be

transported in a compact state. For example, the bathroom 6164 can be transported in its disassembled state. As another example, the wall components 6187 can be transported in their disassembled states. Furthermore, the shells 6470 can be transported in their collapsed state. The method 6900 can further include receiving the modules at the commercial building 6100 (block 6906). For example, the bathroom 6164, the wall components 6187, the dock 6188, and/or other suitable components of the real estate unit 6162 can be received at the commercial building 6100 in an at least substantially pre-manufactured state.

[0535] After the bathroom 6164 is received at the commercial building 6100, the method 6900 can include installing the bathroom 6164 (block 6908), such as by disposing (e.g., removably disposing) the bathroom 6164 within the commercial building 6100. In at least some embodiments, installing the bathroom 6164 includes assembling (e.g., at least substantially reversibly assembling) a set of reusable bathroom modules (e.g., the floor module 6500, the ceiling module 6502, and the wall modules 6504) to form an assembly of reusable bathroom modules. For example, the method 6900 can include disposing (e.g., removably disposing) the floor module 6500 at a suitable location within the interior space 6140, and connecting (e.g., removably connecting) the wall modules 6504 to the floor module 6500 at a perimeter portion of the floor module 6500. The bathroom 6164 can be disposed within the interior space 6140 such that the floor level of the bathroom 6164 is at least 0.5 meter higher than the underlying floor level of the interior space 6140. The method 6900 can further include installing (e.g., removably installing) furnishings within the interior space 6140 (block 6910). For example, when the commercial building 6100 is retrofitted for lodging and/or residential use at the interior space 6138, the method 6900 can include disposing (e.g., removably disposing) lodging and/or residential furnishings within the interior space 6140. As another example, when the commercial building 6100 is retrofitted for office use at the interior space 6140, the method 6900 can include disposing (e.g., removably disposing) office furnishings within the interior space 6140.

[0536] The method 6900 can include installing the dock 6188 (block 6912). For example, the method 6900 can include disposing (e.g., removably disposing) the dock 6188 outside the interior space 6140. In conjunction with installing the dock 6188 or separately, the method 6900 can include disposing (e.g., removably disposing) the water reservoir 6196, the battery 6204, the blackwater tank 6194, and/or other suitable modules outside the interior space 6140. These modules can be connected (e.g., removably connected) to the dock 6188 and/or to other suitable components of the real estate unit 6162. For example, the method 6900 can include electrically connecting the battery 6204 and the electrical outlet 6222. This can include operating the electrical quick-connect coupling 6254. As another example, the method 6900 can include connecting (e.g., removably connecting) the water reservoir 6196 and the hose bibb 6160. In at least some embodiments, the commercial building 6100 is retrofitted for off-grid operation with respect to an electrical supply to the interior space 6140 and/or retrofitted for off-grid operation with respect to disposal of blackwater from the toilet 6168.

[0537] The method 6900 can further include tethering the bathroom 6164 to the dock 6188, the sewage hookup 6704, the plumbing drain trunk line 6146, and/or the water supply

trunk line 6148 (block 6914). For example, the method 6900 can include operably connecting the bathroom 6164 (e.g., the sink 6166, the toilet 6168, and the bath/shower 6170) and the water reservoir 6196 via the cold water supply line 6228. Alternatively or in addition, the method 6900 can include operably connecting the bathroom 6724 (e.g., the sink 6166, the toilet 6168, and the bath/shower 6170) and the water supply trunk line 6148 via the water supply lines 6732 (e.g., also via the sink hookup). As another example, the method 6900 can include operably connecting the bathroom 6164 (e.g., the toilet 6168) and the blackwater tank 6194 via the blackwater drain line 6226. Alternatively or in addition, the method 6900 can include operably connecting the bathroom 6724 (e.g., the sink 6166, the toilet 6168, and the bath/shower 6170) and the plumbing drain trunk line 6146 via the plumbing drain line 6730 (e.g., also via the toilet hookup 6722). Furthermore, the method 6900 can include operably connecting the bathroom 6164 (e.g., the toilet 6168) and the sewage hookup 6704 via the blackwater drain line 6702. As yet another example, the method 6900 can include operably connecting the bathroom 6164 (e.g., the bath/shower drain 6580) and the greywater filter 6200 via the greywater drain line 6232.

[0538] Operably connecting the bathroom 6164 and the blackwater tank 6194 can include operating the blackwater drain quick-connect coupling 6252 to fluidically connect the bathroom 6164 and the blackwater tank 6194. In addition or alternatively, operably connecting the bathroom 6164 and the blackwater tank 6194 can include disposing (e.g., removably disposing) the blackwater drain line 6226 between the bathroom 6164 and the blackwater tank 6194. This can include extending the blackwater drain line 6226 above-floor between the bathroom 6164 and the blackwater tank 6194, such as disposing a first portion of the blackwater drain line 6226 above-floor within the commercial building 6100 and disposing a second portion of the blackwater drain line 6226 above-ground outside the commercial building 6100. Similarly, operably connecting the bathroom 6724 and the plumbing drain trunk line 6146 can include disposing (e.g., removably disposing) the plumbing drain line 6730 between the bathroom 6724 and the toilet hookup 6722. This can include extending the plumbing drain line 6730 above-floor within the commercial building 6100 between the bathroom 6724 and the toilet hookup 6722, such as extending the plumbing drain line 6730 above-floor at least two meters within the commercial building 6100 between the bathroom 6724 and the toilet hookup 6722. Also similarly, operably connecting the bathroom 6164 and the sewage hookup 6704 can include disposing (e.g., removably disposing) the blackwater drain line 6702 between the bathroom 6164 and the sewage hookup 6704. This can include extending the blackwater drain line 6702 above-floor between the bathroom 6164 and the sewage hookup 6704, such as disposing a first portion of the blackwater drain line 6702 above-floor within the commercial building 6100 and disposing a second portion of the blackwater drain line 6702 above-ground outside the commercial building 6100.

[0539] As shown in FIG. 206, the method 6900 can include installing the wall components 6187 within the commercial building 6100 (block 6916). Installing the wall components 6187 can include disposing (e.g., removably disposing) the liner 6456 within the commercial building 6100, such as over the finished floor surface 6450. Disposing the liner 6456 can include adhesively disposing the liner

6456 or disposing the liner 6456 in another manner. Installing the wall components 6187 can further include forming the mass of self-leveling material 6458 over the liner 6456, such as integrally along most or all of an overall footprint of the wall 6448. After the mass of self-leveling material 6458 is formed, installing the wall components 6187 can include disposing (e.g., removably disposing) the wall components 6187 over the mass of self-leveling material 6458. Disposing the wall components 6187 can include stacking and/or interlocking the wall components 6187. This can be done, for example, while the shells 6470 are in an expanded state. Installing the wall components 6187 can further include assembling the wall components 6187, such as by removably disposing the batting 6460 within the shells 6470 while the shells 6470 are in the expanded state. In at least some embodiments, the method 6900 further includes disposing (e.g., removably disposing) the ceiling panels 6492, the ceiling beams 6493, and/or other suitable ceiling components within the commercial building 6100. For example, the ceiling panels 6492 and the ceiling beams 6493 can be disposed such that the ceiling beams 6493 support the ceiling panels 6492.

[0540] FIG. 207 is a block diagram illustrating a method 6950 for operating a given real estate unit in accordance with an embodiment of the present technology. As with the method 6900, aspects of the method 6950 will be further described primarily in the context of certain ones of the real estate units 6162, 6490, 6700, 6710, 6720, 6750, 6760, 6770 described herein. It should be understood, however, that the method 6950, when suitable, and/or portions of the method 6950, when suitable, can be practiced with respect to other ones of the real estate units 6162, 6490, 6700, 6710, 6720, 6750, 6760, 6770 described herein as well as with respect to other real estate units in accordance with embodiments of the present technology.

[0541] With reference to FIGS. 179-207 together, the method 6950 can be practiced in connection with providing lodging, rentable residential space, rentable office space, rentable assembly space, and/or another type of space at the interior space 6140. The method 6950 can include leasing the interior space 6140 (block 6952) or maintaining control of the interior space 6140 in another manner, such as one of the manners described above in connection with establishing control of the interior space 6140 in the method 6900. The method 6950 can further include providing renter access to the interior space 6140 (block 6954), such as through the storefront 6124. In this way, the method 6950 can include providing renter access to furnishings at the interior space 6140 corresponding to the use type. For example, the method 6950 can include providing renter access to lodging and/or residential furnishings (e.g., the bed 6276) within the interior space 6140 when the real estate unit 6162 is operated as a lodging and/or residential unit. As another example, the method 6950 can include providing renter access to office furnishings (e.g., the workstation 6752) within the interior space 6140 when the real estate unit 6162 is operated as an office unit. Providing renter access to the interior space 6140 can occur by leasing the interior space 6140 to the renter, subleasing the interior space 6140 to the renter, providing renter access to the interior space 6140 through a membership agreement, providing renter access to the interior space 6140 through a short-term use arrangement (e.g., a lodging arrangement), and/or providing renter access to the interior

space 6140 in another manner. Similarly, the method 6950 can include providing renter access to the bathroom 6164 (block 6956).

[0542] The method 6950 can further include flowing sewage from the bathroom 6164 (block 6958), such as toward the blackwater tank 6194, toward the sewage hookup 6704, and/or toward the plumbing drain trunk line 6146. For example, the method 6950 can include flowing backwater above-floor and then above-ground from the toilet 6168 toward the blackwater tank 6194 via the blackwater drain line 6226. As another example, the method 6950 can include flowing sewage (e.g., blackwater) above-floor and then above-ground from the bathroom 6164 toward the sewage hookup 6704 via the blackwater drain line 6702 or a combined blackwater/greywater drain line. As another example, the method 6950 can include flowing sewage (e.g., blackwater) above-floor at least two meters within the commercial building 6100 from the bathroom 6724 toward the plumbing drain trunk line 6146 via the plumbing drain line 6730 and via the toilet hookup 6722. As yet another example, the method 6950 can include flowing greywater from the bath/shower drain 6580 toward the greywater filter 6200 via the greywater drain line 6232. Using the greywater or in another manner, the method 6950 can include growing the vegetation 6184 in the exterior wall components 6182, such as in the planning medium 6306.

[0543] The method 6950 can also include swapping the blackwater tank 6194 with a less full counterpart of the blackwater tank 6194 to remove sewage from the real estate unit 6162 (block 6960). This can include operating the blackwater drain quick-connect coupling 6252 to disconnect the blackwater tank 6194 from fluidic connection with the bathroom 6164 and removing the blackwater tank 6194 from the dock 6188. Swapping the blackwater tank 6194 can be at least partially in response to receiving an indication of a fullness of the blackwater tank 6194 from the sensor 6212a. The method 6950 can include weighing the blackwater tank 6194 and/or determining a level of sewage within the blackwater tank 6194 to determine the fullness. In addition to or instead of swapping the blackwater tank 6194, the method 6950 can include operating a mobile pump to at least partially pump out the blackwater tank 6194 and thereby remove sewage from the real estate unit 6162. In at least some embodiments, the method 6950 includes operating the real estate unit 6162 at least substantially off-grid with respect to disposal of blackwater from the toilet 6168.

[0544] The method 6950 can further include flowing water toward the bathroom 6164 (block 6962). For example, the method 6950 can include flowing water from the water reservoir 6196 toward the bathroom 6164 via the cold water supply line 6228. Furthermore, the method 6950 can include flowing water from the hose bibb 6160 toward the water reservoir 6196 to at least partially replenish a water supply to the real estate unit 6162. In addition or alternatively, the method 6950 can include flowing water from the water supply trunk line 6148 toward the bathroom 6724, such as via the water supply lines 6732 and via the sink hookup. The method 6950 can also include operating the heating system 6497 to heat the airspace 6496 and thereby provide below-room-temperature baseline heating to the interior space 6138 via the ceiling 6495. The method 6950 can further include operating the supplemental heater 6498 to provide supplemental heating to the interior space 6140.

[0545] The method 6950 can include providing electricity to the interior space 6140 (block 6964). For example, the method 6950 can include using the battery 6204 to power an appliance within the interior space 6140 via the electrical outlet 6222. The method 6950 can further include swapping the battery 6204 with a less depleted counterpart of the battery 6204 to at least partially replenish an electrical supply to the real estate unit 6162 (block 6966). This can include operating the electrical quick-connect coupling 6254 to disconnect the battery 6204 from electrical connection with the electrical outlet 6222 and removing the battery 6204 from the dock 6188. Swapping the battery 6204 can be at least partially in response to receiving an indication of a depleted state of the battery 6204 from the sensor 6212c. In addition to or instead of swapping the battery 6204, the method 6950 can include operating a mobile recharging station to at least partially recharge the battery 6204 and thereby at least partially replenish an electrical supply to the real estate unit 6162. In at least some embodiments, the method 6950 includes operating the real estate unit 6162 at least substantially off-grid with respect to an overall electrical supply to the interior space 6140. Furthermore, the method 6950 can include decommissioning the real estate unit 6162 after a period of operating the real estate unit 6162. Decommissioning the real estate unit 6162 can include suitable operations of the method 6900 in reverse. For example, decommissioning the real estate unit 6162 can include disassembling the wall 6448 and collapsing the shells 6408.

[0546] This disclosure is not intended to be exhaustive or to limit the present technology to the precise forms disclosed herein. Although specific embodiments are disclosed herein for illustrative purposes, various equivalent modifications are possible without deviating from the present technology, as those of ordinary skill in the relevant art will recognize. In some cases, well-known structures and functions have not been shown or described in detail to avoid unnecessarily obscuring the description of the embodiments of the present technology. Although steps of methods may be presented herein in a particular order, in alternative embodiments the steps may have another suitable order. Similarly, certain aspects of the present technology disclosed in the context of particular embodiments can be combined or eliminated in other embodiments. Furthermore, while advantages associated with certain embodiments may have been disclosed in the context of those embodiments, other embodiments can also exhibit such advantages, and not all embodiments need necessarily exhibit such advantages or other advantages disclosed herein to fall within the scope of the present technology. Accordingly, this disclosure and associated technology can encompass other embodiments not expressly shown or described herein.

[0547] Certain aspects of the present technology may take the form of computer-executable instructions, including routines executed by a controller or other data processor. In at least some embodiments, a controller or other data processor is specifically programmed, configured, and/or constructed to perform at least one of these computer-executable instructions. Furthermore, some aspects of the present technology may take the form of data (e.g., non-transitory data) stored or distributed on computer-readable media, including magnetic or optically readable and/or removable computer discs as well as media distributed electronically over networks. Accordingly, data structures and transmis-

sions of data particular to aspects of the present technology are encompassed within the scope of the present technology. The present technology also encompasses methods of both programming computer-readable media to perform particular steps and executing the steps.

**[0548]** Throughout this disclosure, the singular terms “a,” “an,” and “the” include plural referents unless the context clearly indicates otherwise. Similarly, unless the word “or” is expressly limited to mean only a single item exclusive from the other items in reference to a list of two or more items, then the use of “or” in such a list is to be interpreted as including (a) any single item in the list, (b) all of the items in the list, or (c) any combination of the items in the list. Additionally, the terms “comprising” and the like are used throughout this disclosure to mean including at least the recited feature(s) such that any greater number of the same feature(s) and/or one or more additional types of features are not precluded. Directional terms, such as “upper,” “lower,” “front,” “back,” “vertical,” and “horizontal,” may be used herein to express and clarify the relationship between various structures. It should be understood that such terms do not denote absolute orientation. Furthermore, reference herein to “one embodiment,” “an embodiment,” or similar phrases means that a particular feature, structure, operation, or characteristic described in connection with such phrases can be included in at least one embodiment of the present technology. Thus, the appearances of such phrases herein are not necessarily all referring to the same embodiment. Finally, it should be noted that various particular features, structures, operations, and characteristics of the embodiments described herein may be combined in any suitable manner in additional embodiments in accordance with the present technology.

I claim:

**1.** A method for operating a real estate unit, the method comprising:

providing renter access to an interior space within a compartment at least partially defined by reusable wall components removably disposed at a ground floor of a commercial building, wherein the commercial building includes a storefront between the interior space and an outdoor area, and wherein providing renter access to the interior space includes providing renter access to the interior space via the storefront; and

providing renter access to a reusable bathroom removably disposed within the commercial building.

**2.** The method of claim **1**, further comprising providing renter access to lodging and/or residential furnishings within the interior space, wherein the lodging and/or residential furnishings include a bed.

**3.** The method of claim **1**, further comprising providing renter access to office furnishings within the interior space, wherein the office furnishings include a workstation.

**4.** The method of claim **1**, further comprising:  
leasing the interior space from an owner of the commercial building; and  
subleasing the interior space to a renter of the real estate unit.

**5.** The method of claim **1** wherein:

the real estate unit includes a battery; and

the method further comprises using the battery to power an appliance within the interior space via an electrical outlet of the real estate unit.

**6.** The method of claim **5**, further comprising swapping the battery with a less depleted battery to at least partially replenish an electrical supply to the real estate unit.

**7.** The method of claim **1**, further comprising flowing waste from the reusable bathroom toward a below-floor plumbing drain trunk line of the commercial building via an above-floor plumbing drain line of the real estate unit.

**8.** The method of claim **7**, wherein:

the commercial building includes a building bathroom fixedly connected thereto, the building bathroom having a toilet hookup operably connected to the below-floor plumbing drain trunk line; and

flowing waste from the reusable bathroom toward the below-floor plumbing drain trunk line includes flowing waste from the reusable bathroom toward the below-floor plumbing drain trunk line via the toilet hookup.

**9.** The method of claim **7** wherein flowing waste from the reusable bathroom toward the below-floor plumbing drain trunk line includes flowing waste above-floor at least two meters (6.56 feet) within the commercial building.

**10.** The method of claim **1** wherein:

the real estate unit further comprises a compartmentalizing assembly including—

reusable wall components removably disposed within the commercial building, and a ceiling below an airspace within the commercial building;

the interior space is within a compartment at least partially defined by the compartmentalizing assembly; and  
the method further comprises—

operating a central heating system of the commercial building to heat the airspace and thereby provide below-room-temperature baseline heating to the interior space via the ceiling, and

operating a supplemental heater of the real estate unit to provide supplemental heating to the interior space.

**11.** A method for making a real estate unit, the method comprising:

retrofitting a purpose-built retail, office, and/or restaurant space within a commercial building for an alternative use, wherein the commercial building includes a storefront between the space and an outdoor area;

removably disposing a reusable bathroom within the commercial building; and

removably disposing reusable wall components within the commercial building to form a wall at a perimeter portion of the space.

**12.** The method of claim **11**, further comprising transporting the reusable bathroom to the commercial building in a disassembled state.

**13.** The method of claim **11**, further comprising receiving the reusable bathroom at the commercial building in an at least substantially pre-manufactured state.

**14.** The method of claim **11**, further comprising at least substantially reversibly assembling reusable bathroom modules to form the reusable bathroom.

**15.** The method of claim **11** wherein removably disposing the reusable wall components includes stacking the reusable wall components.

**16.** The method of claim **11** wherein removably disposing the reusable wall components includes interlocking the reusable wall components.

**17.** The method of claim **11**, further comprising forming a mass of molded self-leveling material within the commercial building, wherein removably disposing the reusable

wall components includes removably disposing the reusable wall components over the mass of molded self-leveling material.

**18.** A real estate unit, comprising:

- a first interior space within a commercial building, wherein the commercial building includes a storefront between the first interior space and an outdoor area;
- a bathroom means for providing private showering and toilet accommodations to a renter of the real estate unit; and
- a wall means for separating the first interior space from a second interior space within the commercial building.

**19.** The real estate unit of claim **18**, further comprising blackwater disposal means for disposing of blackwater from the bathroom means.

**20.** The real estate unit of claim **18**, further comprising electricity supplying means for supplying electricity to the real estate unit.

\* \* \* \* \*